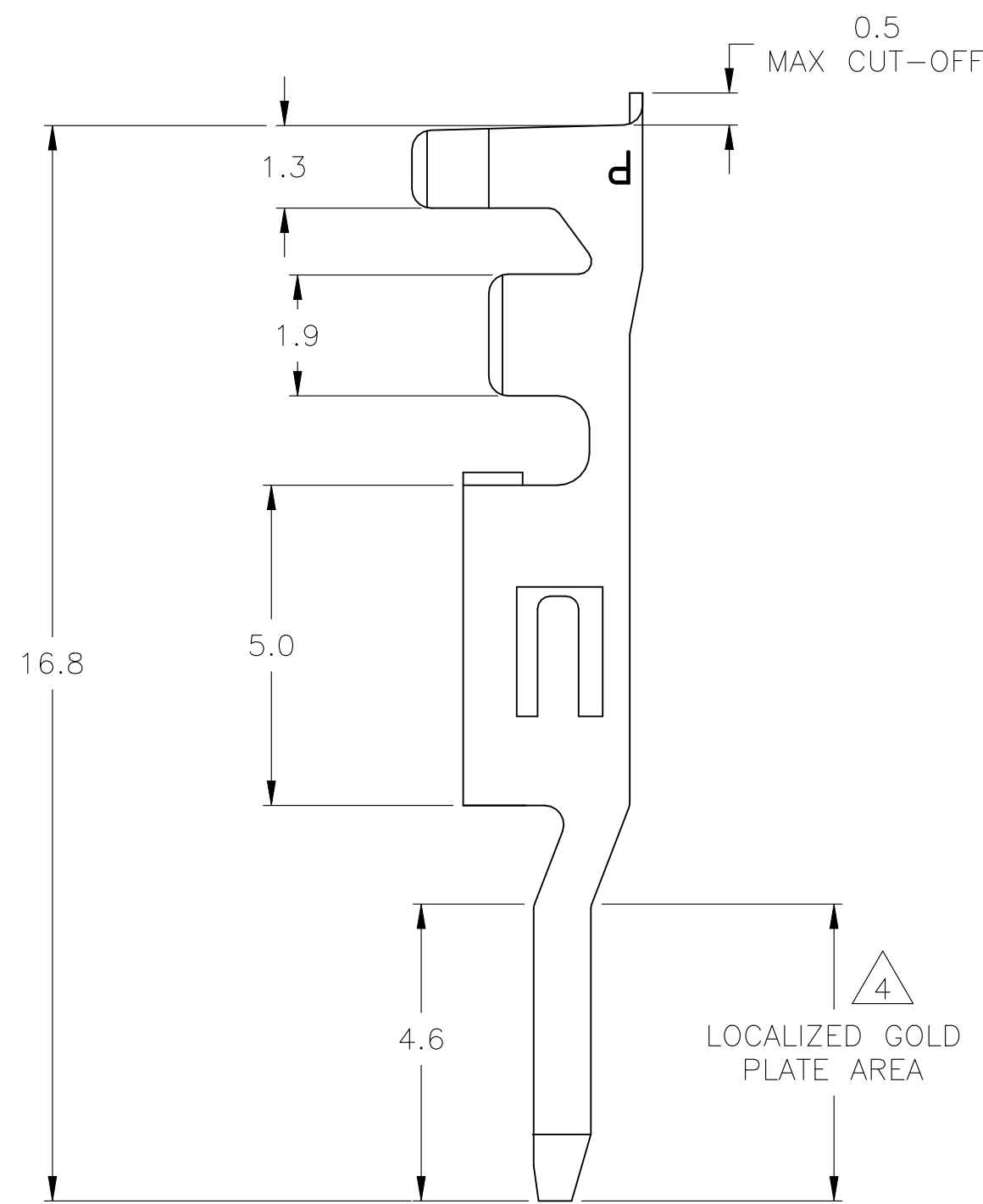
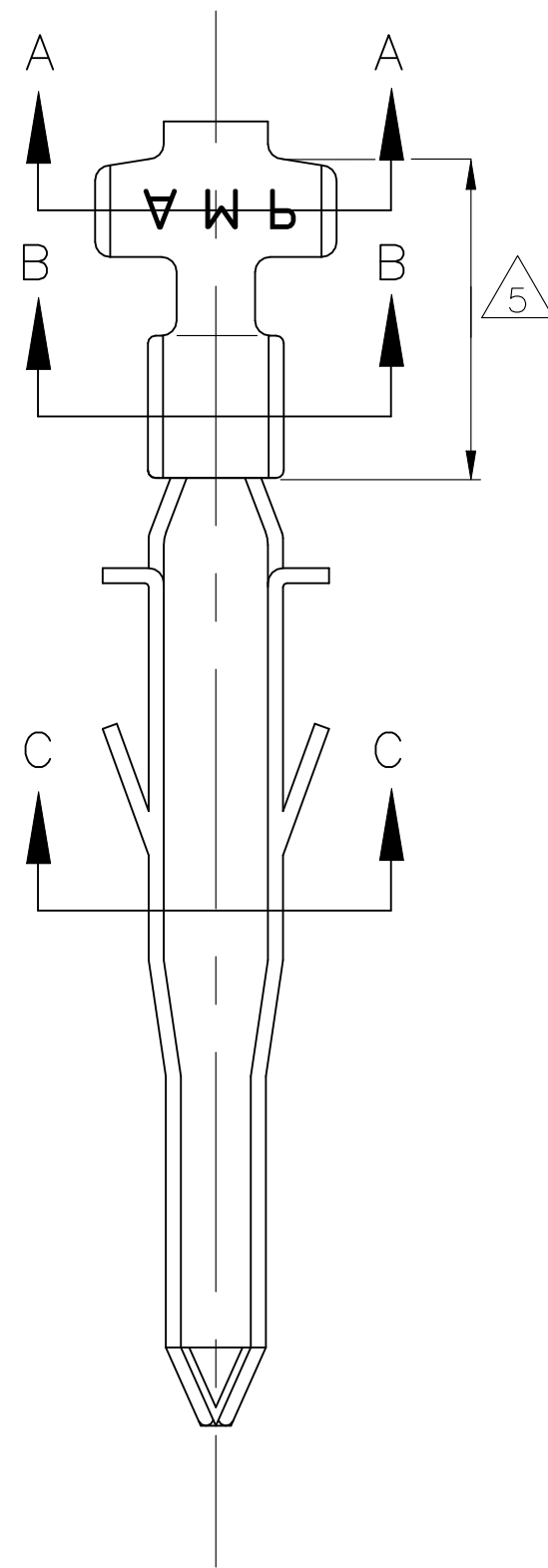
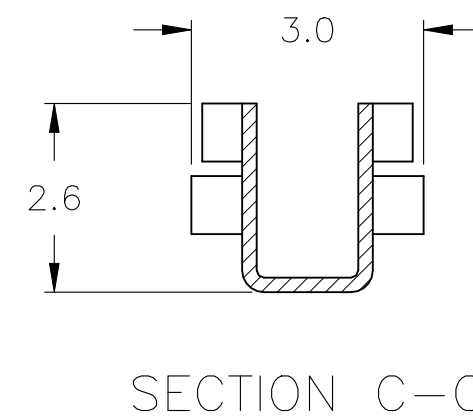
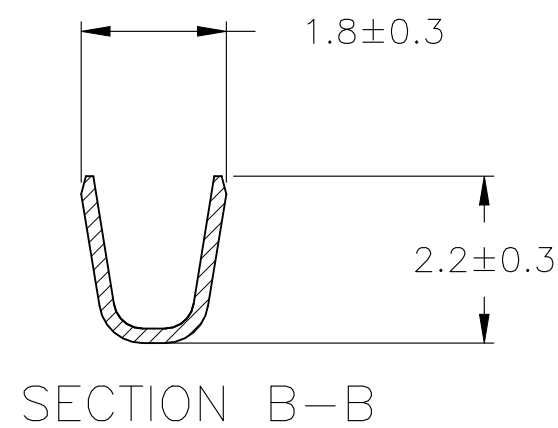
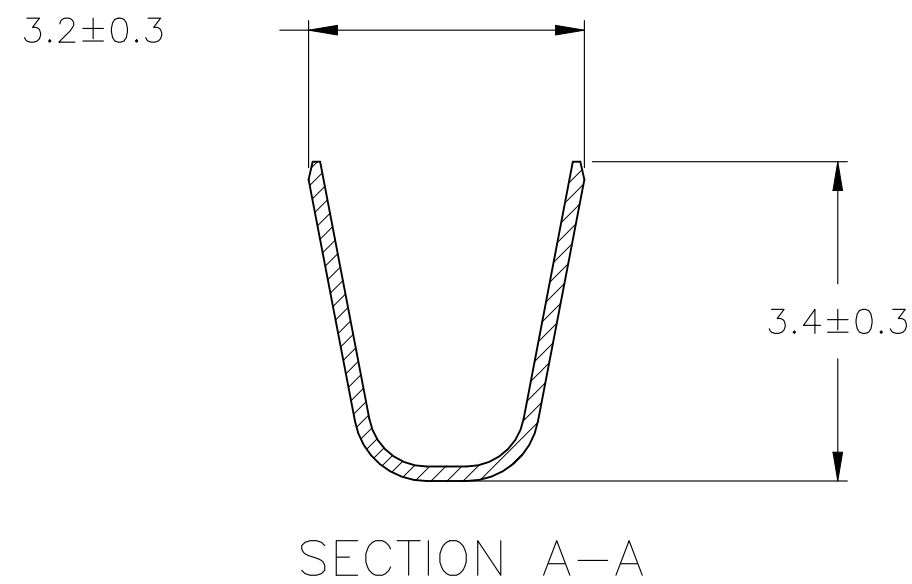


REVISIONS					
P	LTR	DESCRIPTION	DATE	DWN	APVD
A2		REVISED PER ECR-23-173068	06DEC2023	P.C	D.Z



- 1 WIRE RANGE: 0.13–0.32mm<sup>2</sup> (26–22 AWG).
- 2 INSULATION RANGE: 1.20–1.75 DIA.
- 3 FINISH: 1.27μm MIN NICKEL ALL OVER
- 4 FINISH: 0.76μm MIN GOLD ON INNER SURFACE, PERMITTED ON OUTER SURFACE.
- 5 FINISH: 2.54μm MIN TIN ON ALL SURFACES IN THIS AREA.
- 6 FINISH: 2.54μm MINIMUM PRE-TIN OVERALL



3 4 5	PHOS. BRZ.	1586316-4
PRE-TIN 6	PHOS. BRZ.	1586316-3
3 4 5	BRASS	1586316-2
PRE-TIN 6	BRASS	1586316-1
FINISH:	MATERIAL:	PART NO.

THIS DRAWING IS A CONTROLLED DOCUMENT.		DWN S. HOOVER 14-OCT-2003			
DIMENSIONS: mm [INCHES]		CHK D. COLEY 14-OCT-2003			
TOLERANCES UNLESS OTHERWISE SPECIFIED:		APVD D. COLEY 14-OCT-2003	NAME		
0 PLC ±		PRODUCT SPEC	TERMINAL LOOSE PIECE, PIN VAL-U-LOK(TM)		
1 PLC ± 0.3		108-2112	SIZE	CAGE CODE	DRAWING NO
2 PLC ± -		APPLICATION SPEC	A2	00779	C=1586316
3 PLC ± -		114-13172	WEIGHT	SCALE	SHEET
4 PLC ± -			-	10:1	1 of 1
ANGLES ±			CUSTOMER DRAWING	REV	A2
FINISH					