

THIS DRAWING IS UNPUBLISHED.

RELEASED FOR PUBLICATION

2009

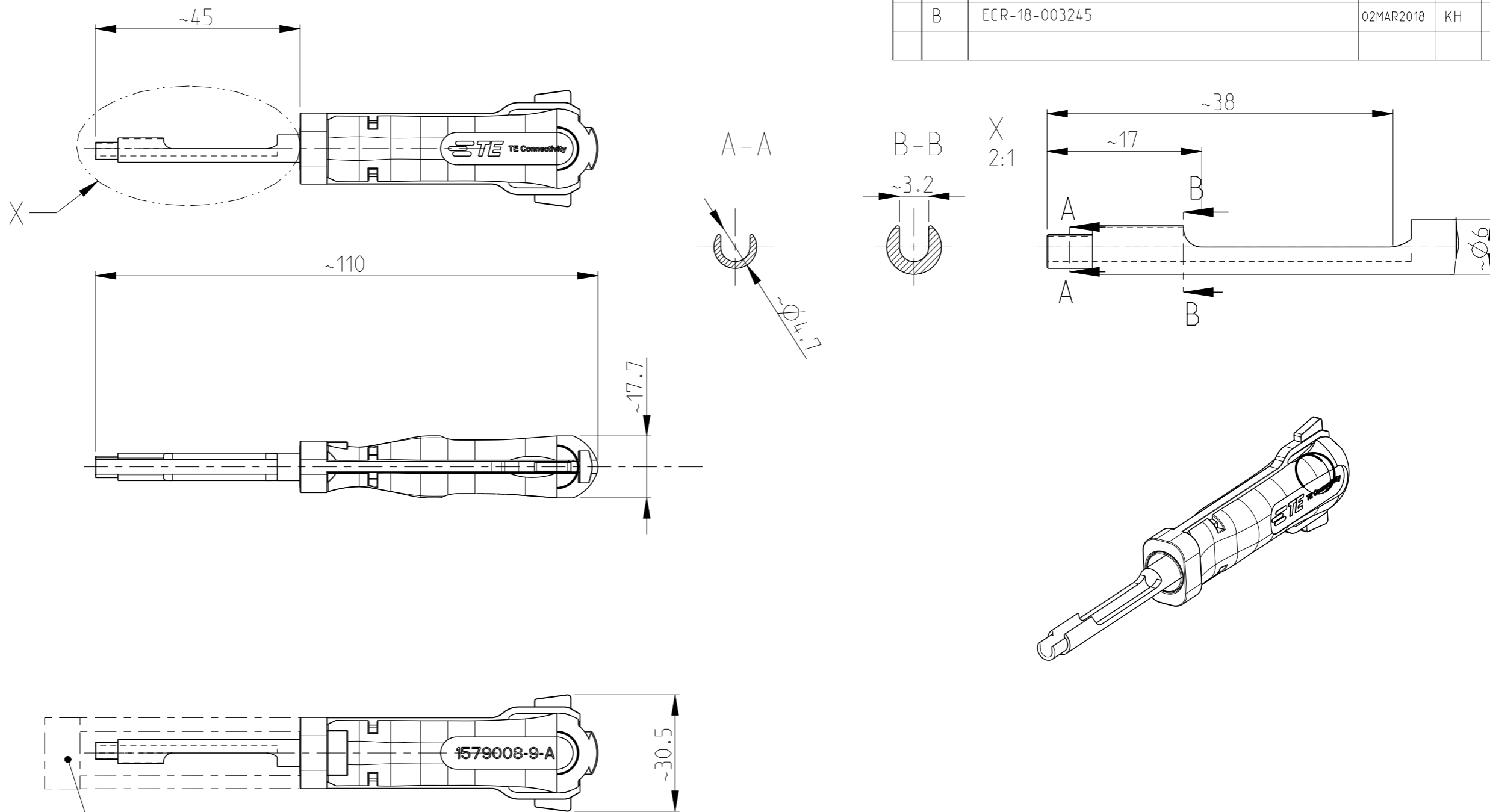
© COPYRIGHT 2009

BY Tyco Electronics AMP GmbH

ALL RIGHTS RESERVED.

REVISIONS

P	LTR	DESCRIPTION	DATE	DWN	APVD
	A	INITIAL REVISION	18MAY2010	JZ	SA
	A1	ECR-14-007870	02JUN2014	KH	RG
	B	ECR-18-003245	02MAR2018	KH	BM



COVER SLIDE
Schutzschieber

THIS DRAWING IS A CONTROLLED DOCUMENT.

DWN J. ZAJICEK 09MAR2006

CHK S.Samstag 18MAY2010

APVD S.Samstag 18MAY2010

PRODUCT SPEC

APPLICATION SPEC

WEIGHT

Customer Drawing

DIMENSIONS:	TOLERANCES UNLESS OTHERWISE SPECIFIED:
mm	
	0 PLC ±
	1 PLC ±
	2 PLC ±
	3 PLC ±
	4 PLC ±
	ANGLES ±1°
MATERIAL	FINISH
.	-
.	-

STE TE Connectivity

NAME				RESTRICTED TO	
INSERTION TOOL Montagewerkzeug					
SIZE	CAGE CODE	DRAWING NO			
A3	-	©-1579008-9			
SCALE		SHEET	OF	REV	
1:1		1	1	B	