

REVISONS		DATE	OWN	APPD
A1	OBSOLETE -2	ECR-07-024069	170CT07	AY HY
A2	ADDED -5	ECR-08-017898	17JUL08	TS KB
B	REVISED	ECR-10-006078	28MAY10	TS KB

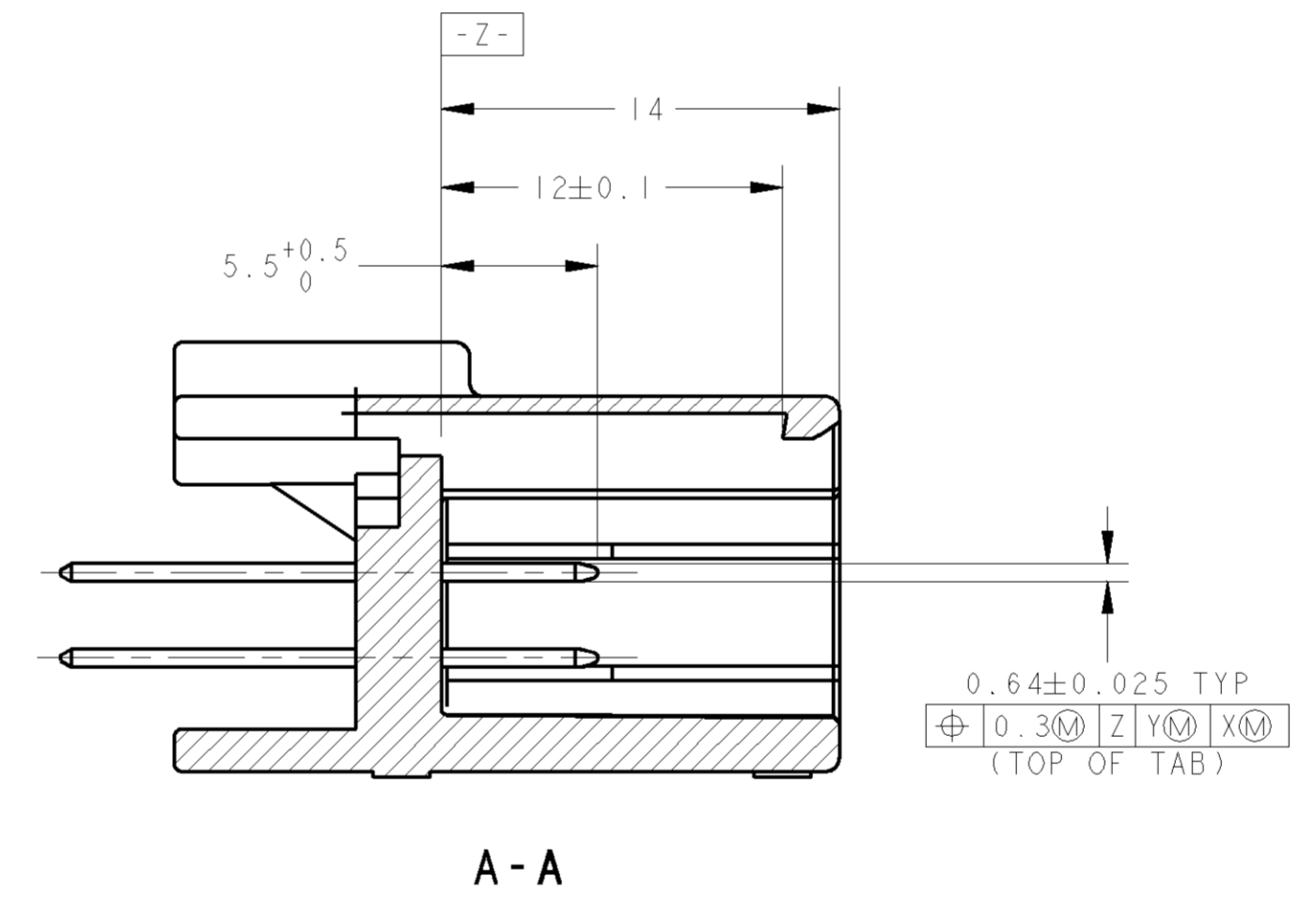
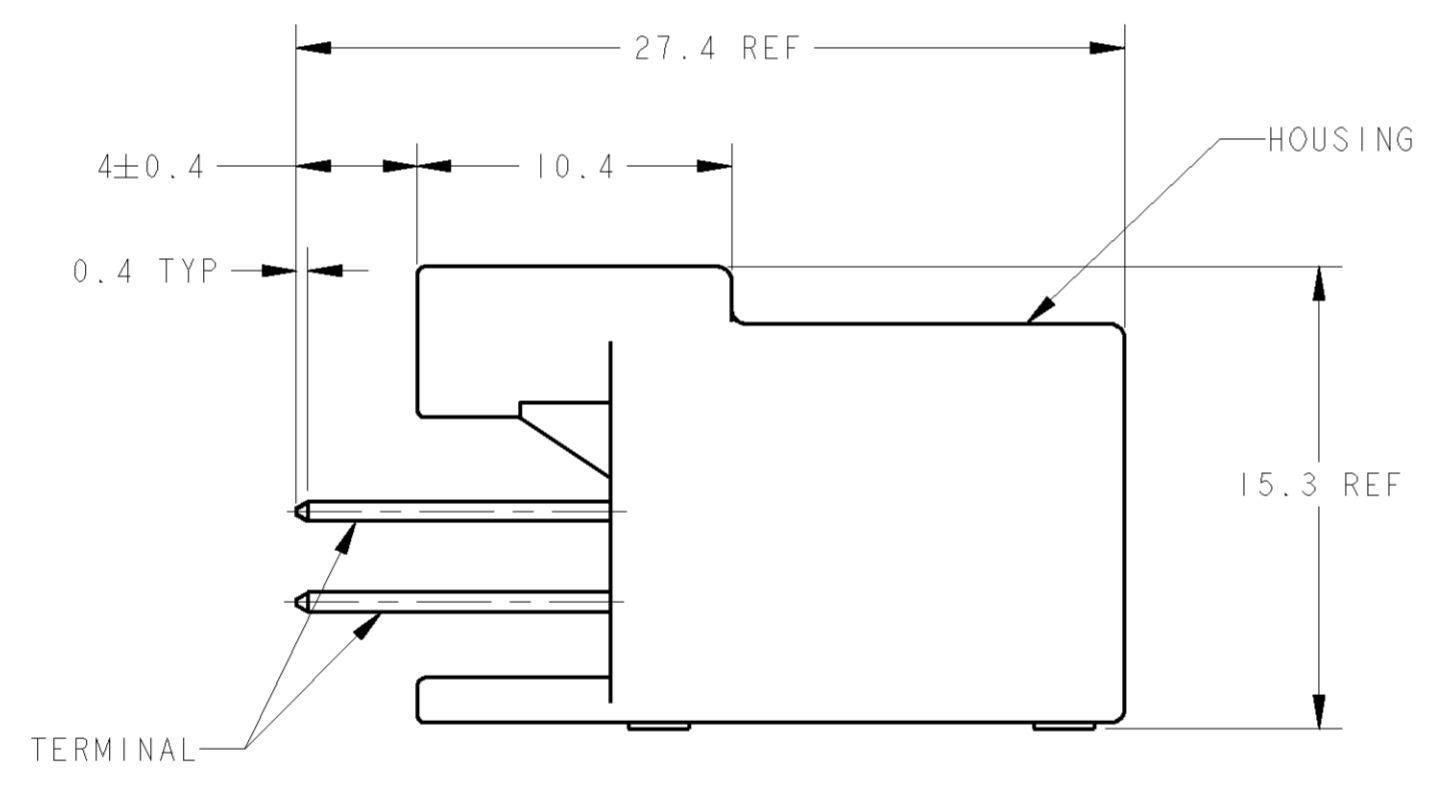
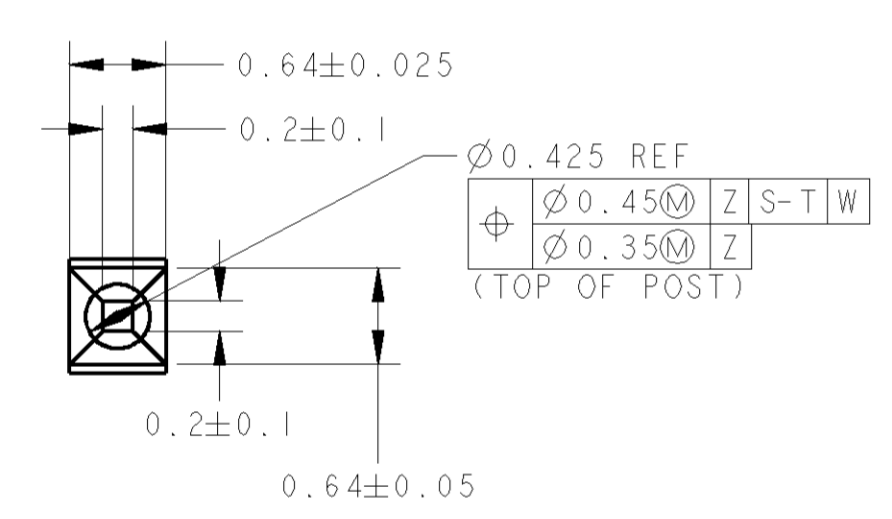
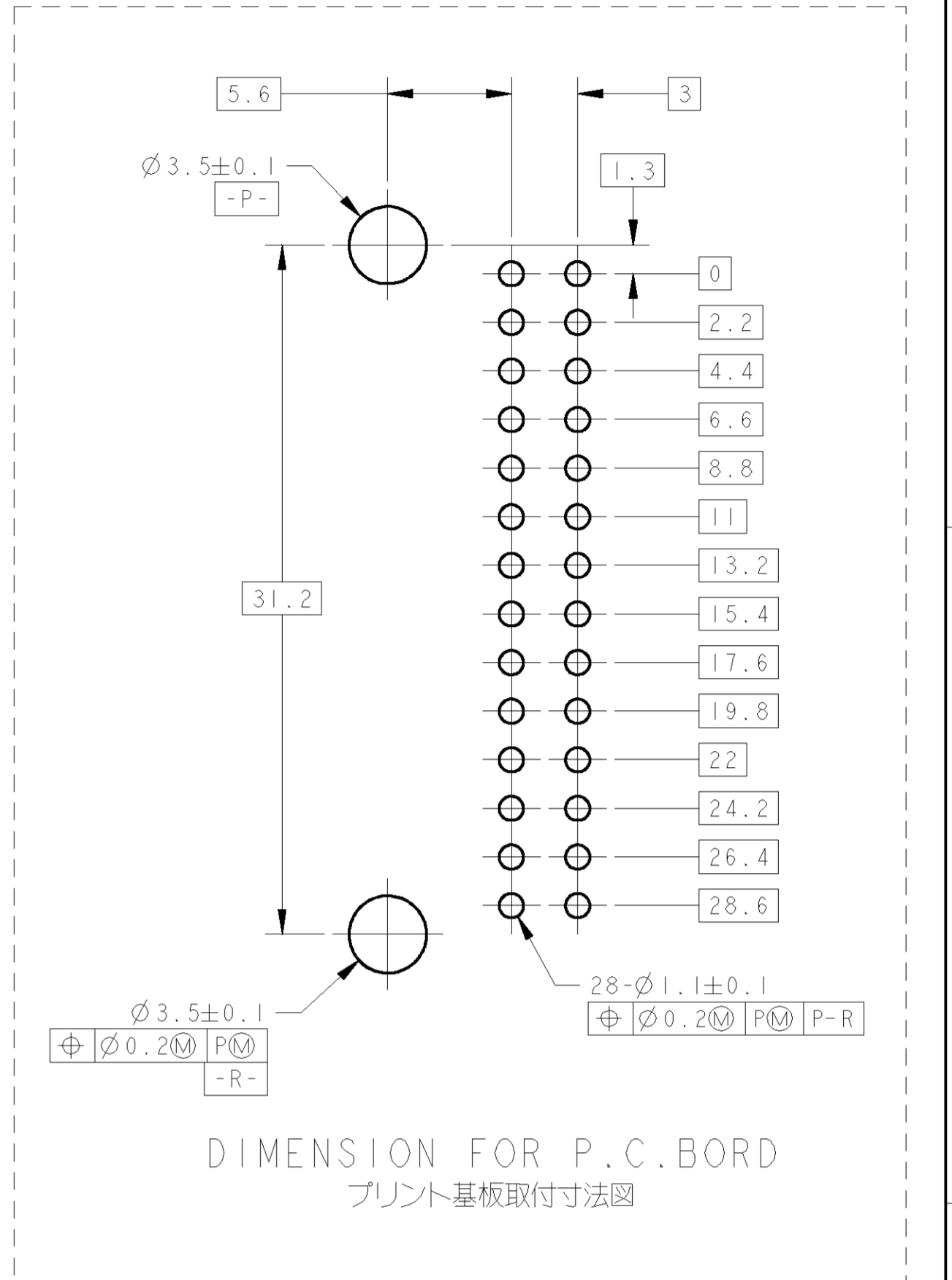
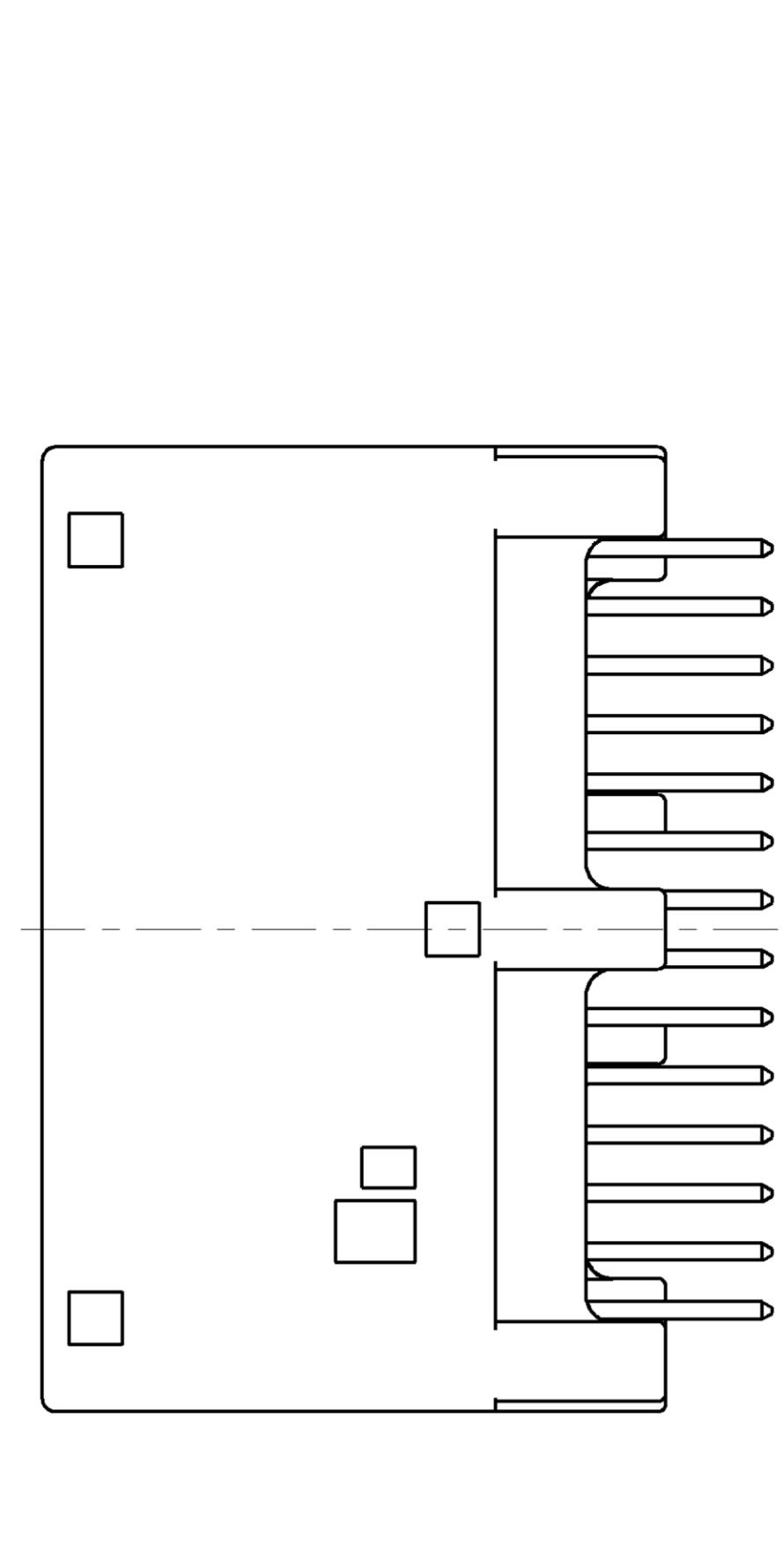
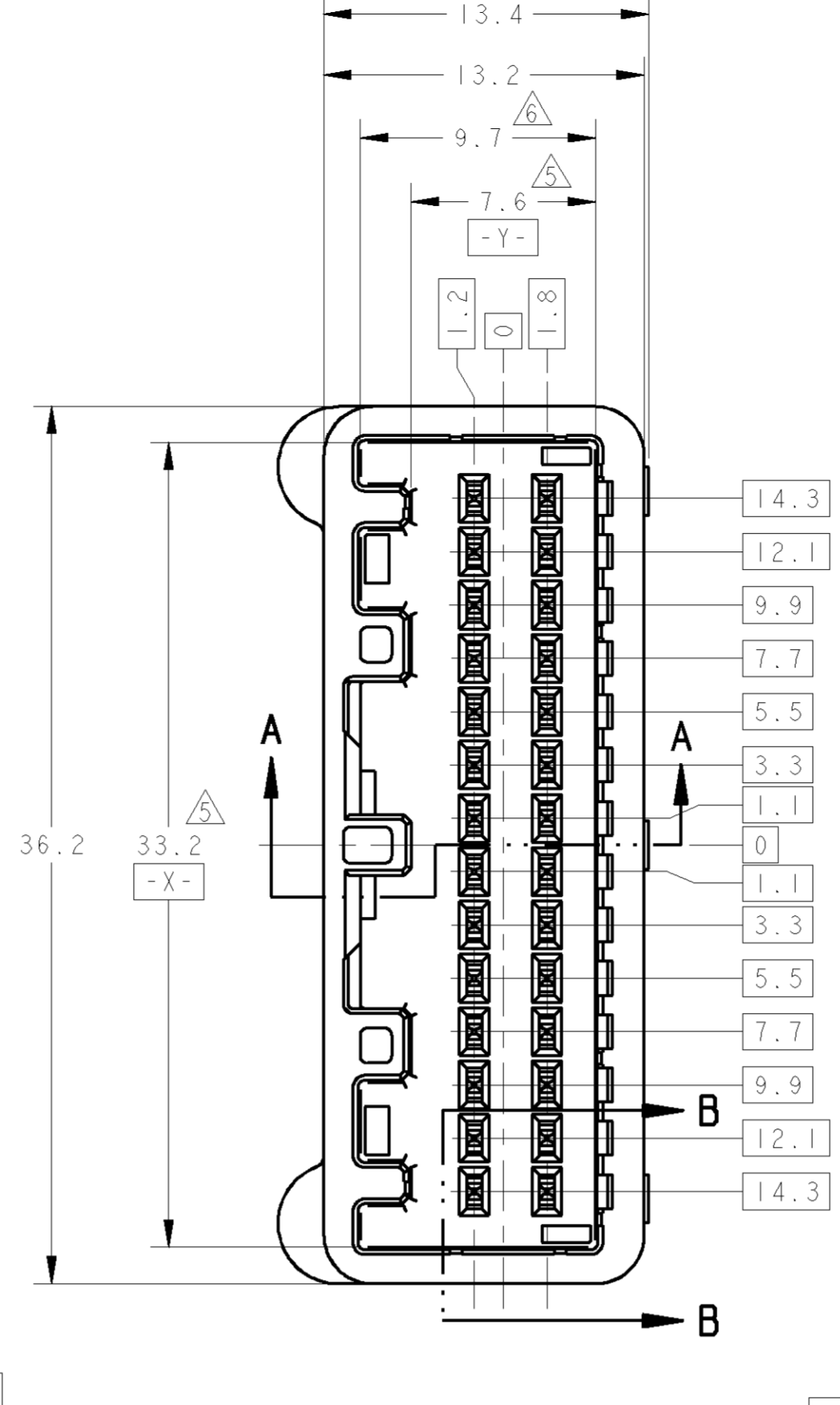
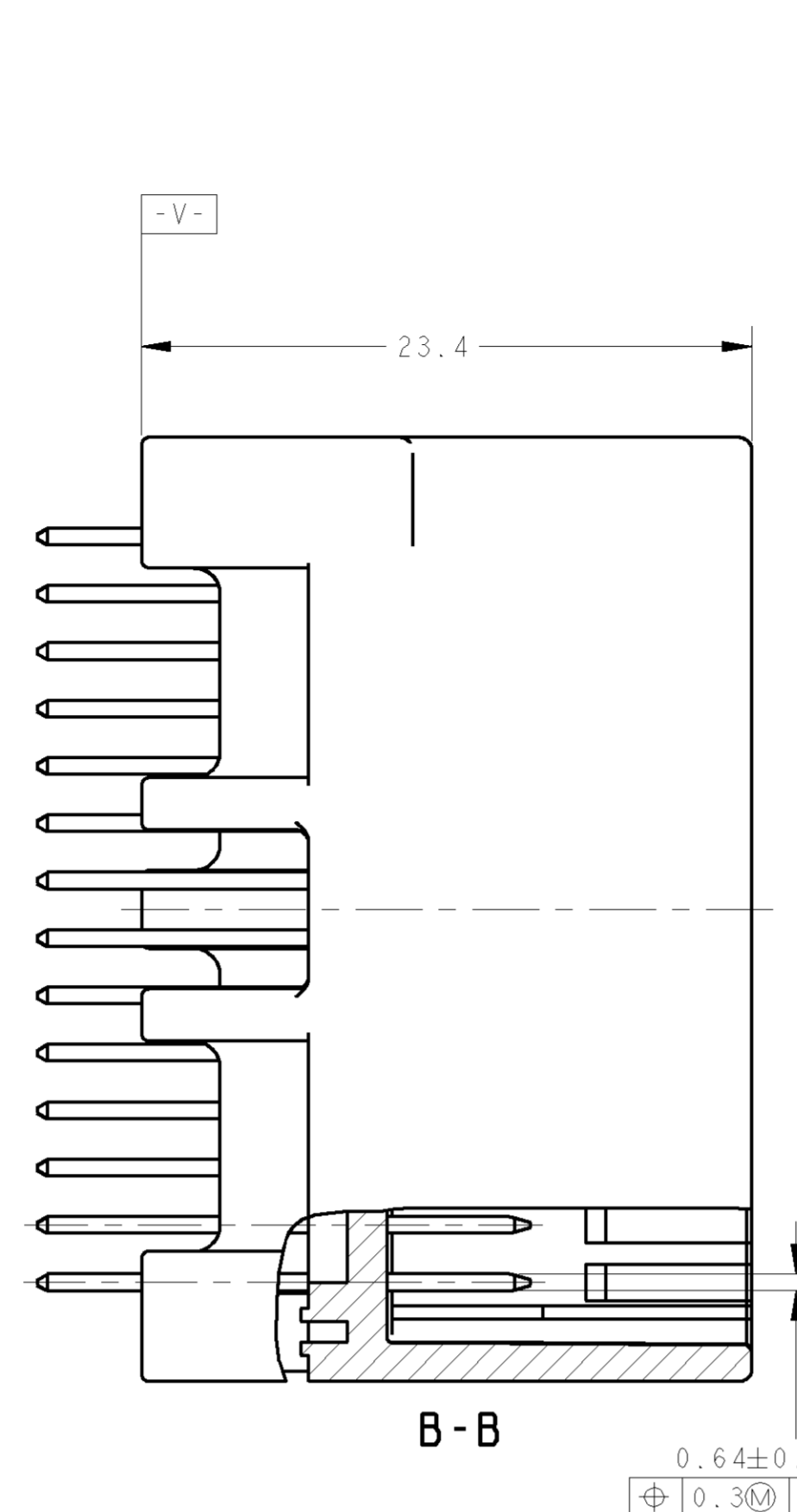
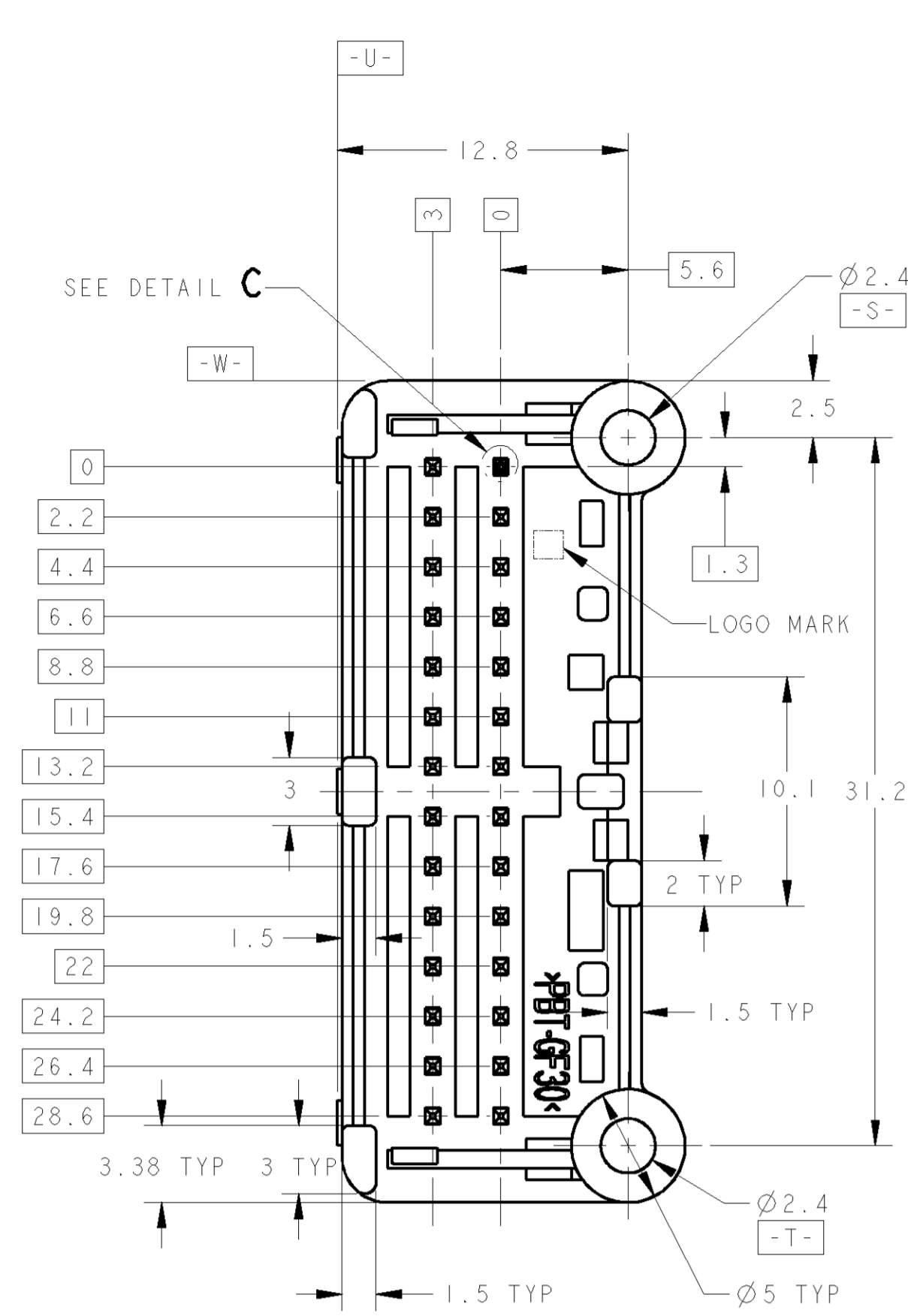


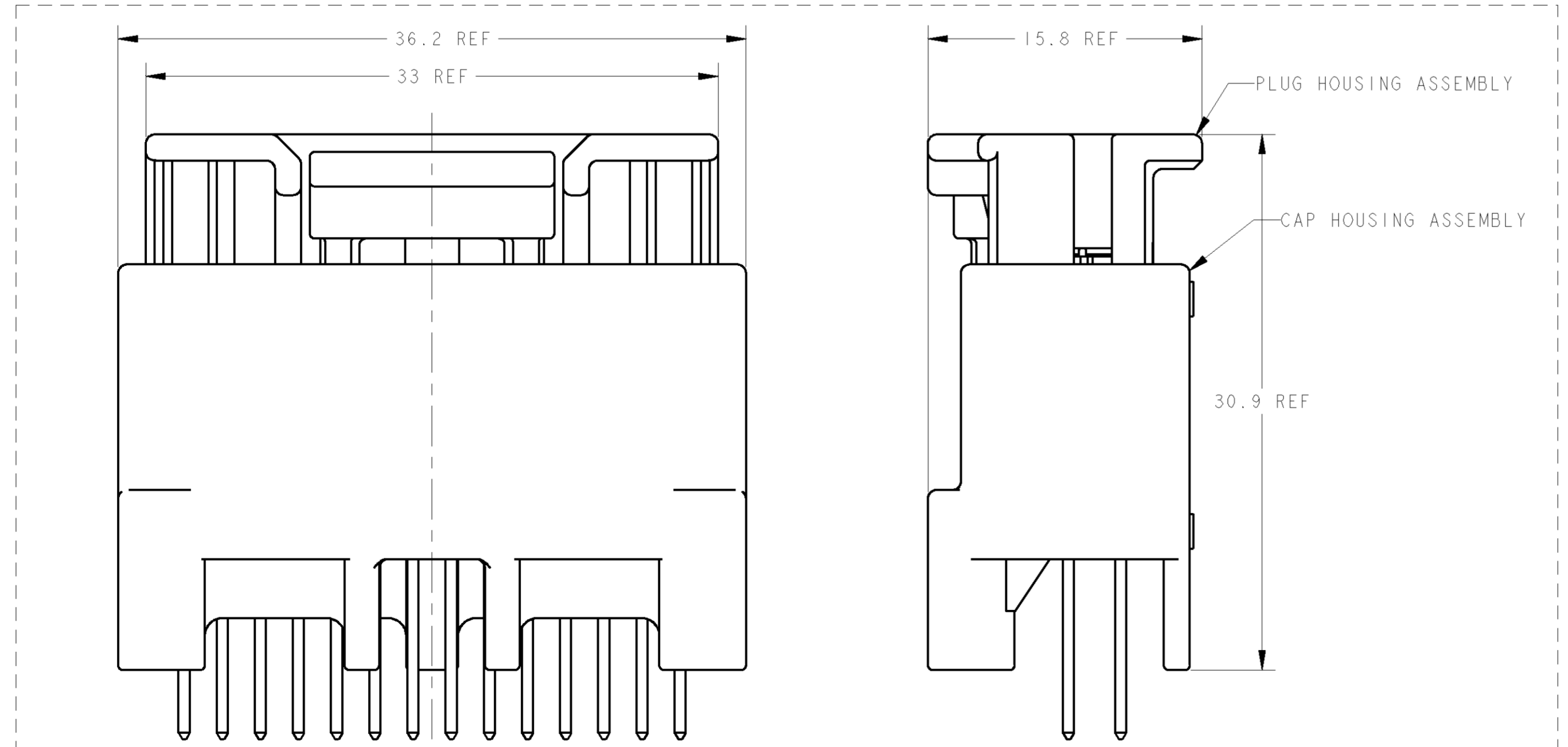
TABLE-2

プリント基板板厚 (mm) THICKNESS OF PCB (mm)	1.2	1.6
固定用ねじ着下長さ (mm) NOMINAL LENGTH OF SCREW (mm)	5	6

- MATING CONNECTOR PART NUMBER; SEE TABLE-1. TO BE MATED SMOOTHLY WITH THE PLUG HOUSING ASSEMBLY.
 - RECOMMENDED SCREW FOR P.C. BOARD THK=1.6mm: PAN-HEADED, TYPE 2 TAPPING SCREW, NOMINAL DIAMETER 3mm, LENGTH; SEE TABLE-2 REFER TO JIS B1115, B1122
 - FASTENING TORQUE (FOR REFERENCE) : 0.392N·m MAX BUT TORQUE FOR OPERATION SHOULD BE PROVIDED RESPECTIVELY
 - INSTRUCTION SHEET NO: 411-5928
- △. MEASURED AT 6mm FROM -Z-
 △. MEASURED AT 2mm FROM -Z-

TABLE-1

POS. 極数	PLUG HOUSING PART No. プラグハウジング型番
28	1565380



CAP ASSEMBLY & PLUG ASSEMBLY ENGAGEMENT DRAWING スケール 4:1
 キャップアッセンブリ & プラグアッセンブリ 嵌合図

PAPER BOX カンボール	PLASTIC TUBE プラスチックチューブ	SELECTIVE TIN (MATTE)	SELECTIVE TIN (BRIGHT)	BLACK	1565375-5
PAPER BOX カンボール	PLASTIC TUBE プラスチックチューブ	SELECTIVE TIN (MATTE)	SELECTIVE TIN (BRIGHT)	NATURAL	1565375-4
PLASTIC BOX 通い箱	PLASTIC TUBE プラスチックチューブ	SELECTIVE TIN (MATTE)	SELECTIVE TIN (BRIGHT)	NATURAL	1565375-3
PLASTIC BOX 通い箱	PLASTIC TUBE プラスチックチューブ	SELECTIVE TIN (ALL SURFACES)	PRE-TIN	NATURAL	1565375-Z
OUTER 外装	INNER 内装	SOLDERING SIDE 基板側	CONTACT SIDE 嵌合側	COLOR 色	PART NUMBER 製品型番

DIMENSIONS: min		TOLERANCES UNLESS OTHERWISE SPECIFIED: 一般公差: ±0.3		OWN TY MITO	SMAR03	Tyco Electronics Corporation Kawasaki, Japan
MATERIAL PBT GF30 BRASS		FINISH SEE TABLE		CHK S. AMEMIYA	SMAR03	
PRODUCT SPEC 1-PLC 10-5 2-PLC 10-9 3-PLC 10-13 4-PLC 10-0001		APPLICATION SPEC 114-5250		APPD H. YAMAGAMI	SMAR03	025 2ROW 28POSITION CAP ASSY V-TYPE
WEIGHT 7.63g		SCALE 4:1		SIZE A1		