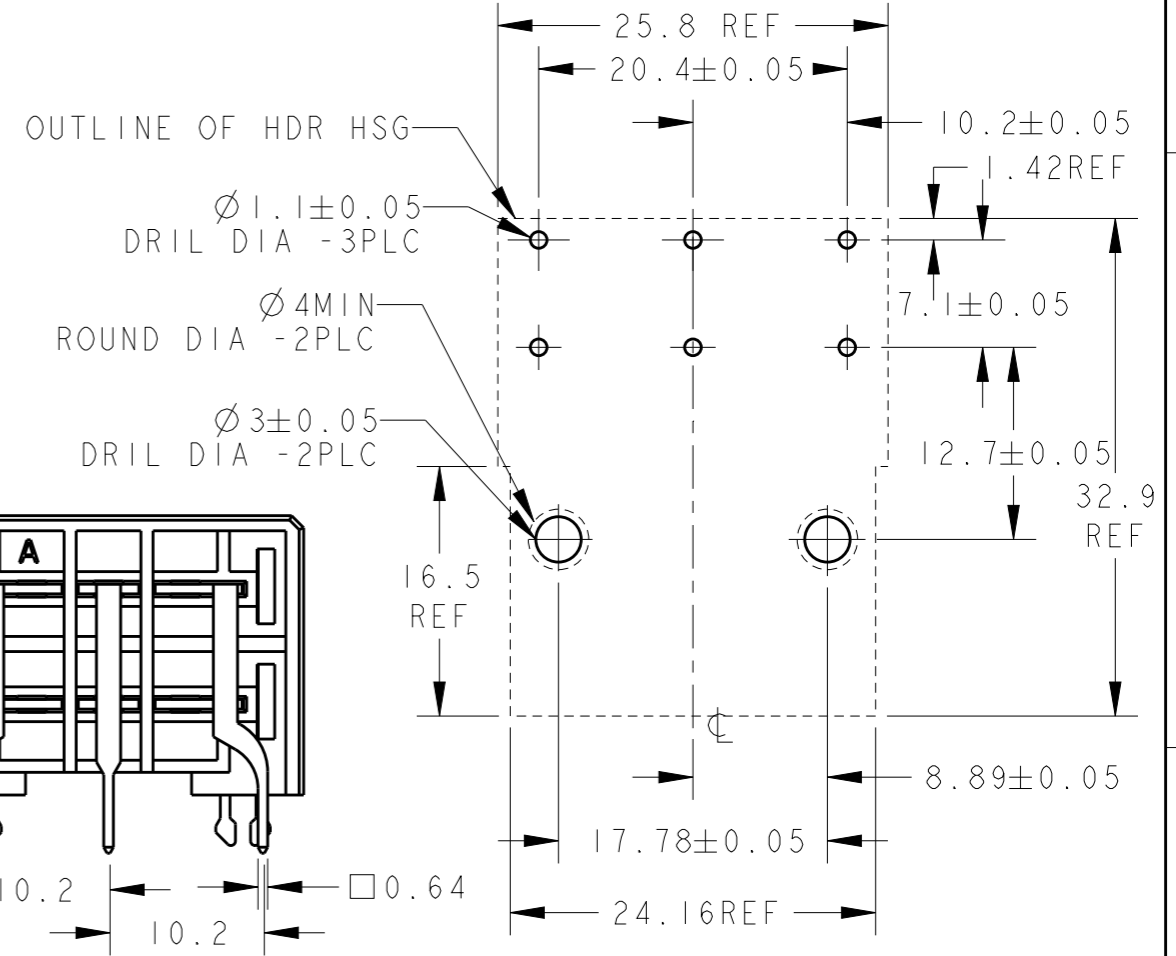
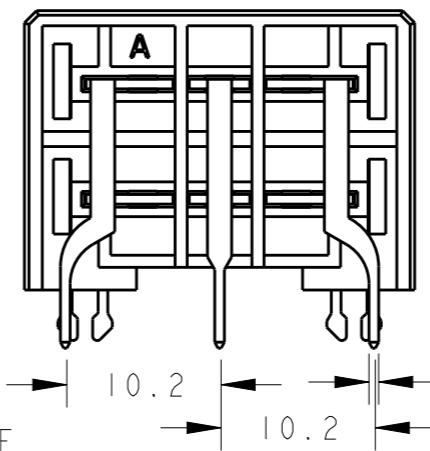
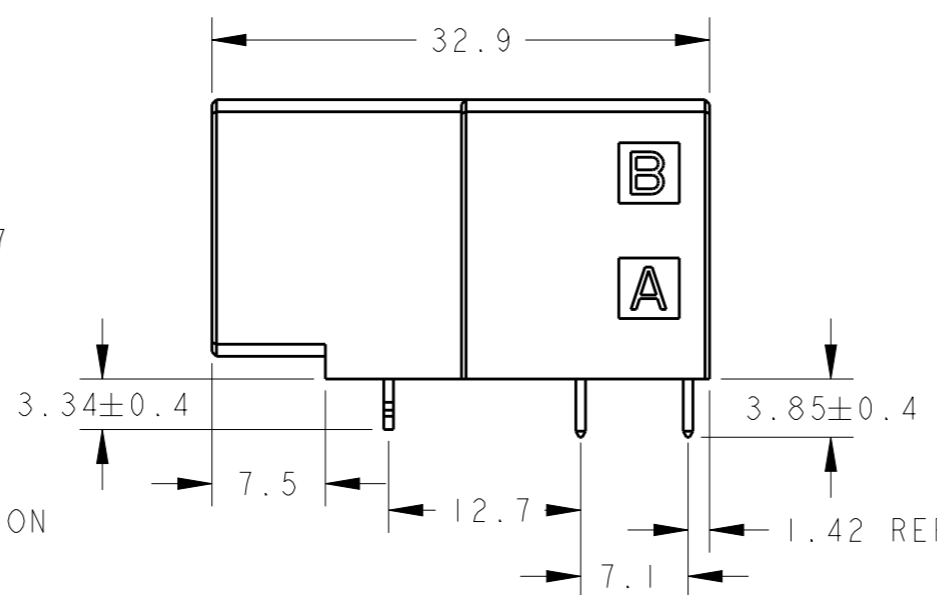
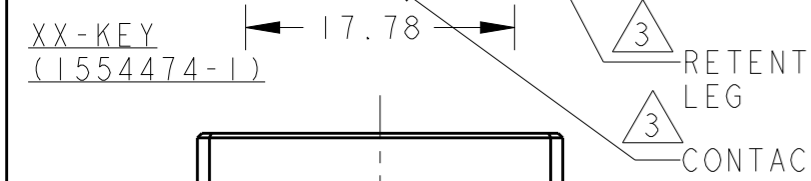
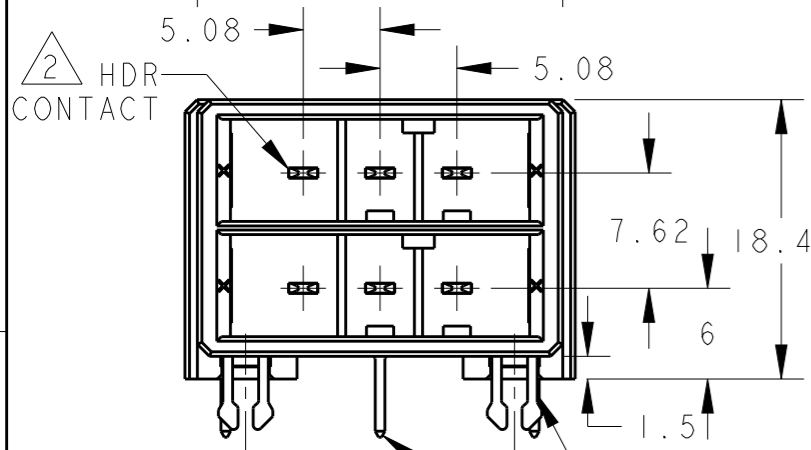
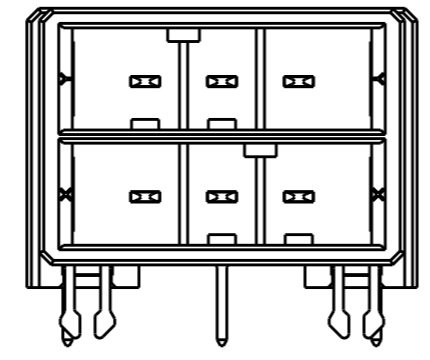
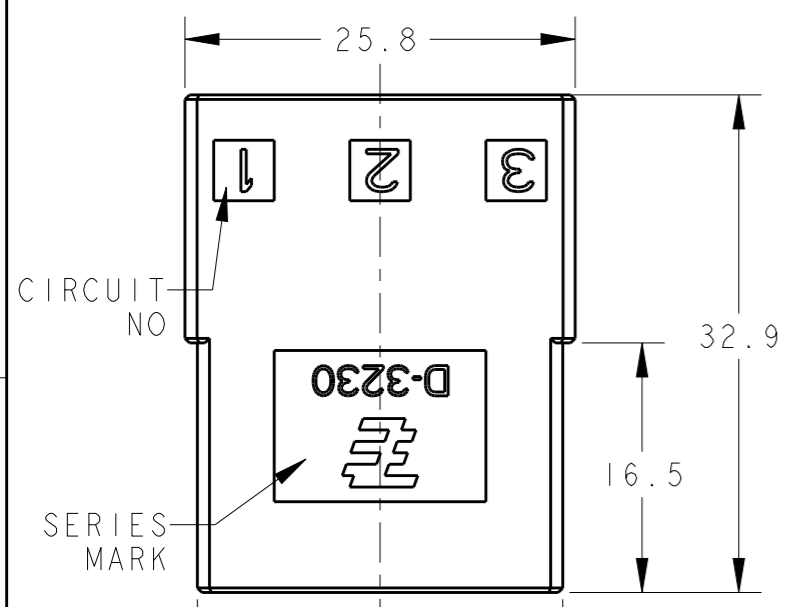


THIS DRAWING IS UNPUBLISHED. RELEASED FOR PUBLICATION 2009  
 © COPYRIGHT 2009 BY - ALL RIGHTS RESERVED.

REVISIONS					
P	LTR	DESCRIPTION	DATE	DWN	APVD
	C	REVISED ECR-15-008628	11JUN2015	K.K	N.Y



NOTES

1. MATERIAL: HOUSING: GLASS FILED THERMO PLASTIC, POLYESTER  
 CONTACT: COPPER ALLOY  
 RETENTION LEG: COPPER ALLOY

2. FINISH: 0.38μm MIN GOLD PLATING OVER Ni PLATING

3. FINISH: TIN PLATING OVER NICKEL

注記

1. 材料: ハウジング: ガラス入り熱可塑性 ポリエステル樹脂  
 コンタクト: 銅合金  
 リテンションレグ: 銅合金

2. めっき: 全面ニッケル下地  
 接触部: 0.38μm MIN金めっき

3. めっき: ニッケル下地の上に錫めっき

THIS DRAWING IS A CONTROLLED DOCUMENT.		DWN T. SAMI 11DEC2009	TE Connectivity			
DIMENSIONS: mm		CHK N. YAMASAKI 11DEC2009				
TOLERANCES UNLESS OTHERWISE SPECIFIED: ±0.3		APVD T. KIMURA 11DEC2009				
0 PLC ± 1 PLC ±0.5 2 PLC ±0.13 3 PLC ±0.013 4 PLC ±0.0001 ANGLES ±5		NAME D3230 HDR ASSY 6POS.				
MATERIAL		PRODUCT SPEC 108-5349	SIZE A3	CAGE CODE 00779	DRAWING NO C=1554474	RESTRICTED TO
FINISH		APPLICATION SPEC	WEIGHT 9.80g	SCALE 2:1	SHEET 1 OF 1	REV C
		Customer Drawing				