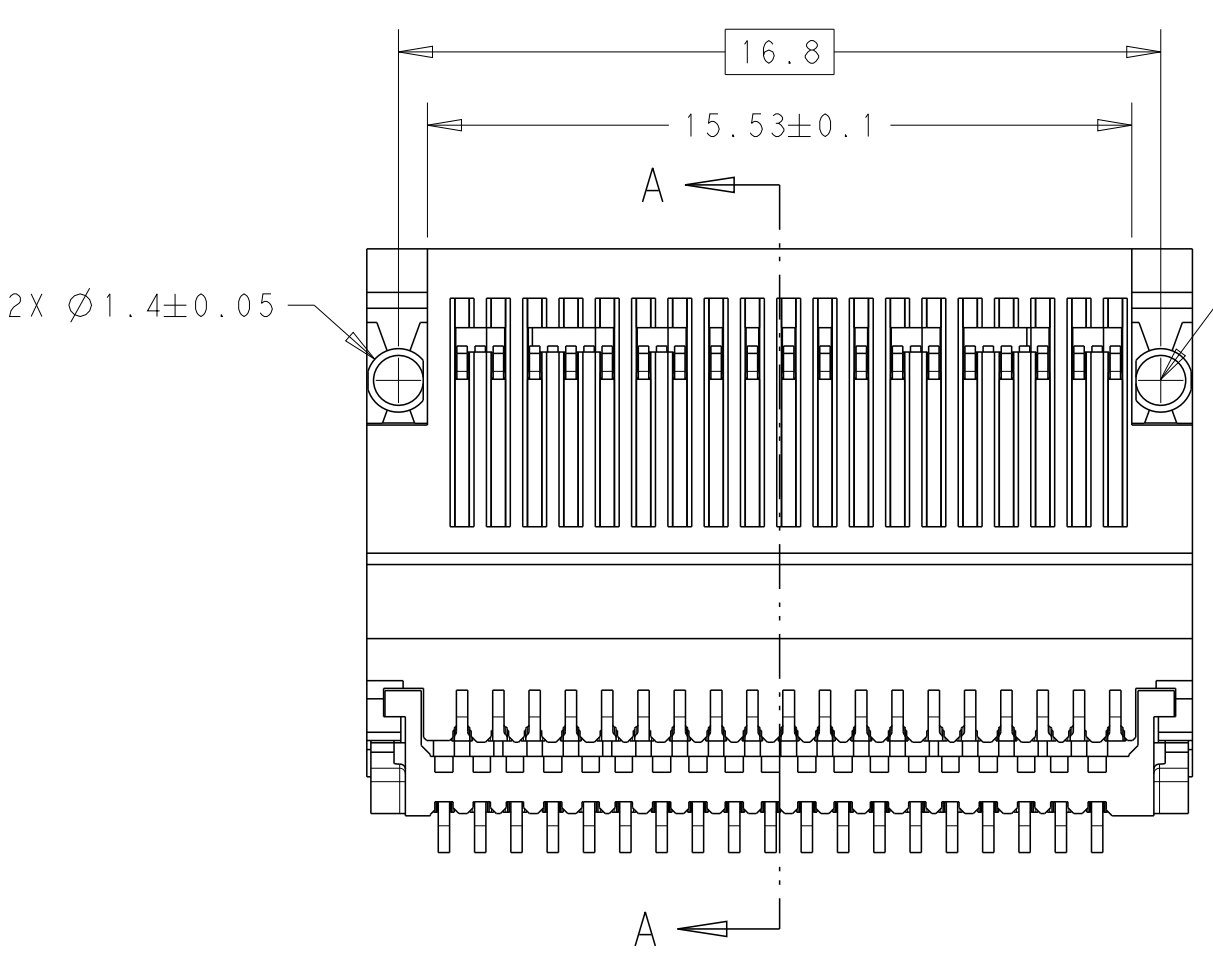
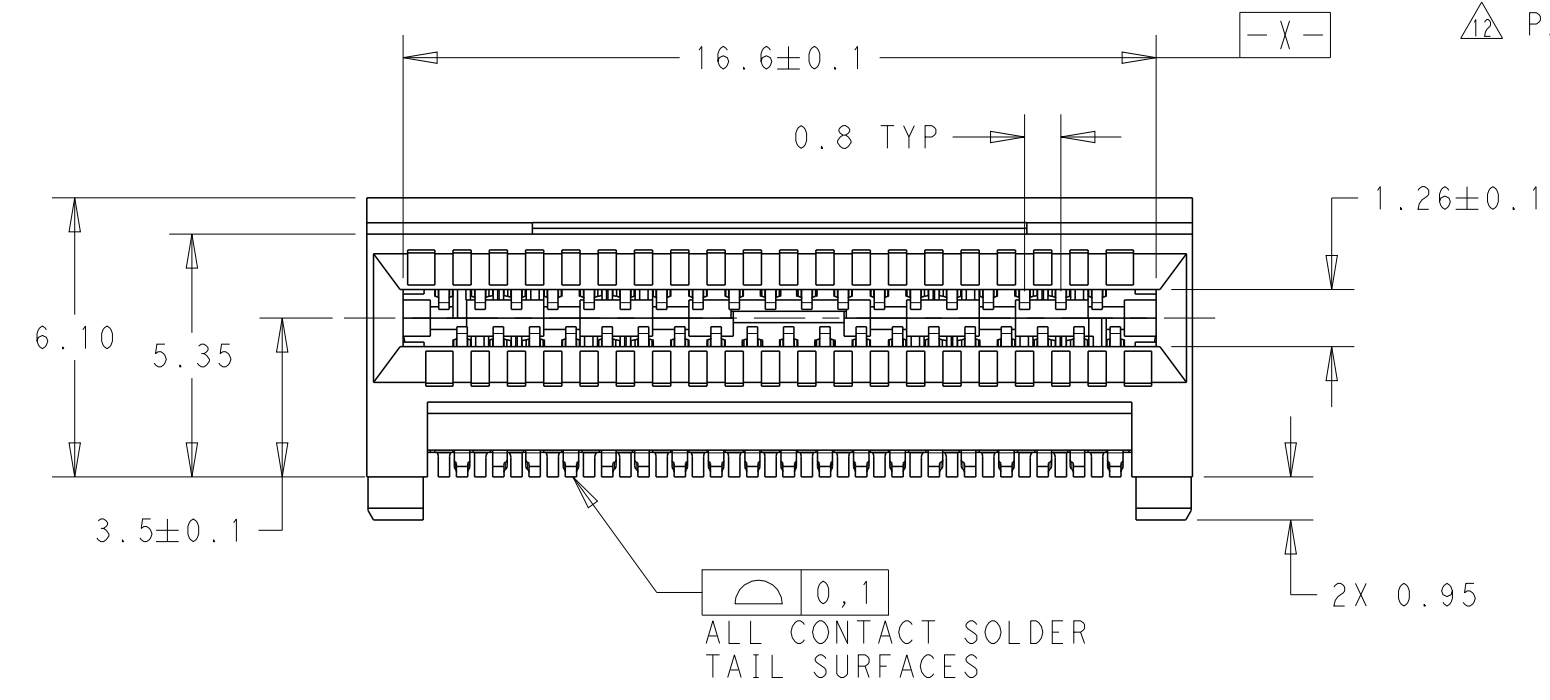
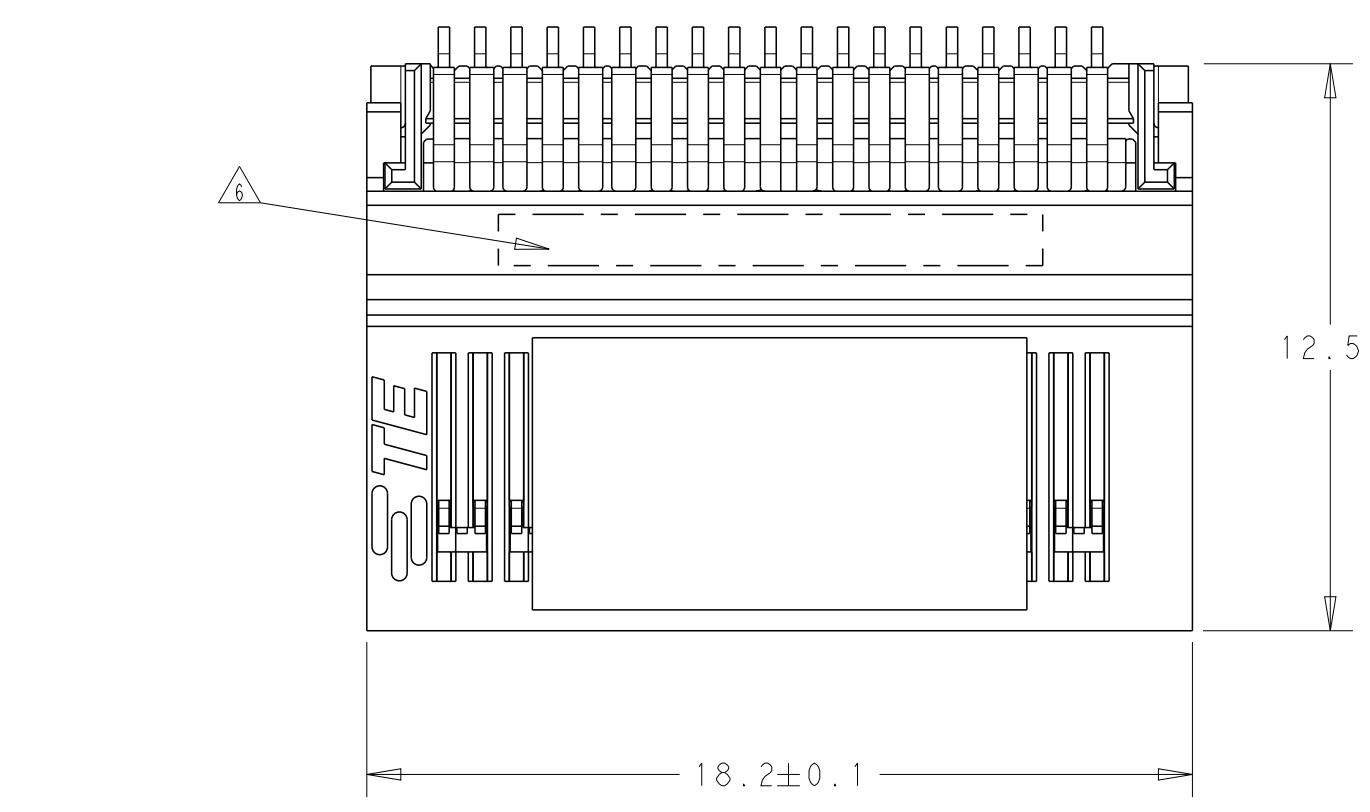


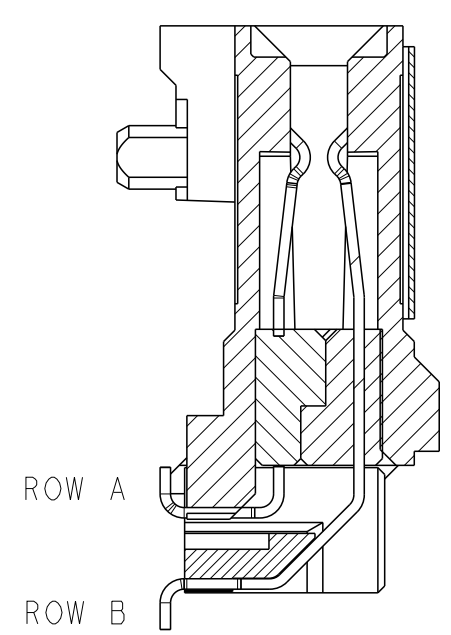
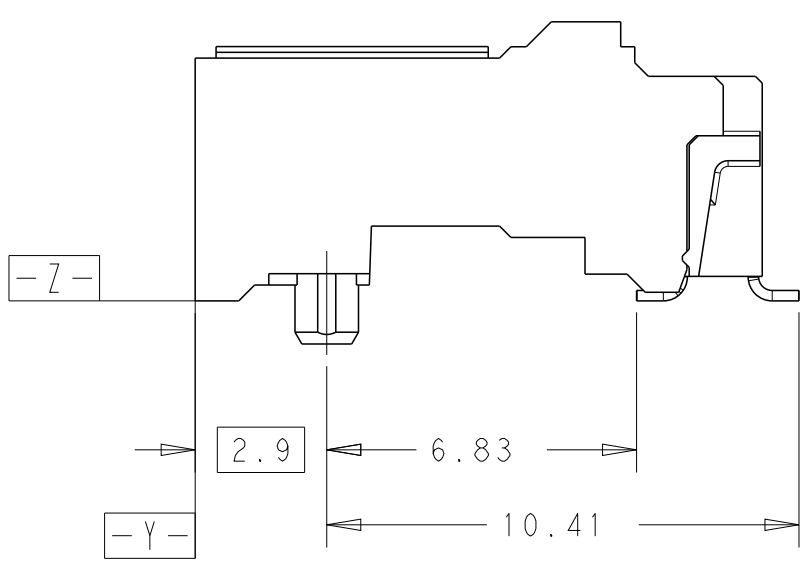
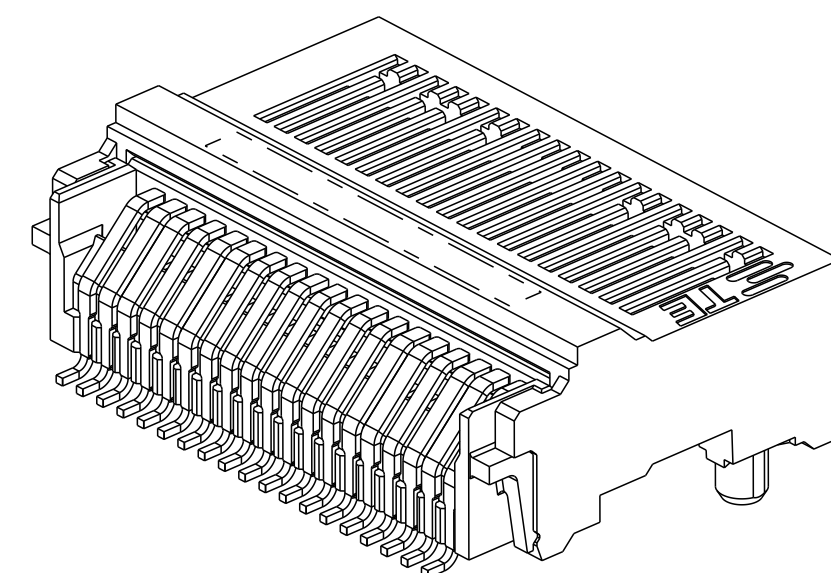
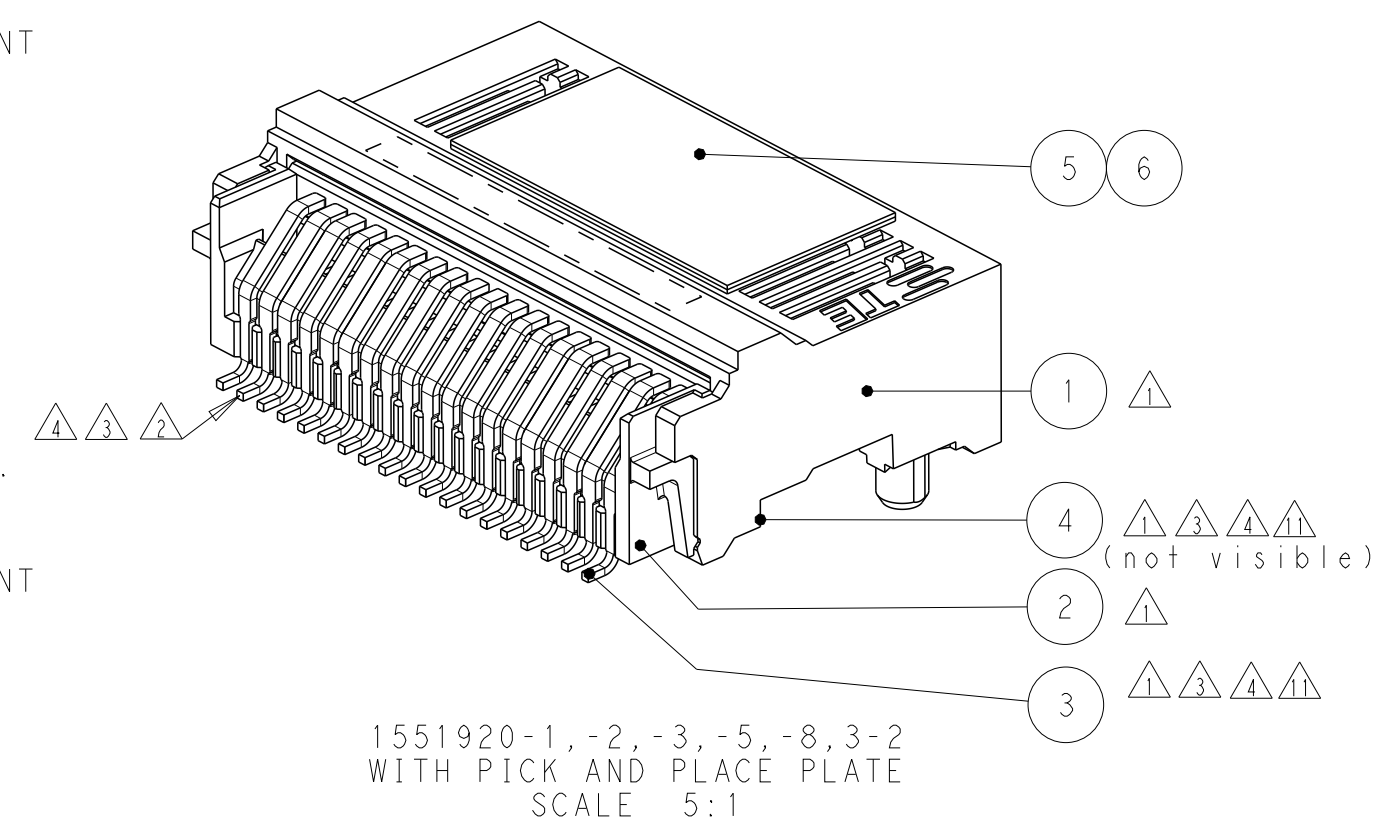
THIS DRAWING IS UNPUBLISHED. RELEASED FOR PUBLICATION
 © COPYRIGHT - BY - ALL RIGHTS RESERVED.

REVISIONS					
P	LTR	DESCRIPTION	DATE	DWN	APVD
M		REVISED PER ECO-19-008000	16MAY2019	JY	SH
N		REVISED PER ECO-20-005737	23APR2020	JW	SH
N1		REVISED PER ECN-24-260100	10APR2024	AB	SZ

1551920-2 AS SHOWN



- 1 MATERIAL: GLASS FILLED LCP (BLACK) FOR HOUSING, ORGANISER AND CONTACT-OVERMOLDS.UL 94V-0.
- 2 MATERIAL: COPPER ALLOY FOR CONTACTS.
- 3 FINISH: 0,38µm MIN. GOLD, APPLIES TO INTERFACE AREA AND 3,0 µm MIN. MATTE TIN ON SOLDER TAILS, BOTH OVER 1,27 µm MIN. NICKEL ALL OVER. LUBRICANT ON GOLD PLATE CONTACT AREAS.
- 4 FINISH: 0,76µm MIN. GOLD, APPLIES TO INTERFACE AREA AND 3,0 µm MIN. MATTE TIN ON SOLDER TAILS, BOTH OVER 1,27 µm MIN. NICKEL ALL OVER. LUBRICANT ON GOLD PLATE CONTACT AREAS.
- 5 DATUM AND BASIC DIMENSION ESTABLISHED BY CUSTOMER.
- 6 CONNECTOR MARKED WITH PARTNUMBER AND DATE CODE.
- 7 PACKAGE SPEC (TAPE/REEL): WIDTH 32mm X PITCH 20mm.
- 8 PACKAGE SPEC (TAPE/REEL): WIDTH 44mm X PITCH 24mm, PIN 1 IS AT QUADRANT3.
- 9 PACKAGE SPEC (TAPE/REEL): WIDTH 44mm X PITCH 24mm, PIN 1 IS AT QUADRANT2.
- 10 PACKAGE SPEC (TAPE/REEL): WIDTH 44mm X PITCH 24mm, PIN 1 IS AT QUADRANT3. CUSTOMIZED FOR AUTO PICK & PLACE.
- 11 FINISH: 0,76µm MIN. GOLD, APPLIES TO INTERFACE AREA AND 3,0 µm MIN. MATTE TIN ON SOLDER TAILS, BOTH OVER 2,54 µm MIN. NICKEL ALL OVER. LUBRICANT ON GOLD PLATE CONTACT AREAS.
- 12 PACKAGE: ESD PACKAGE



SECTION A-A

⊕ Ø0.10(M) Z X Y 2PLC

ITEM NO.	DESCRIPTION	3-1551920-2	1551920-1	1551920-2	1551920-3	1551920-4	1551920-5	1551920-6	1551920-7	1551920-8	2-1551920-1	2-1551920-2	2-1551920-3	2-1551920-4	2-1551920-5	
7	RETENTION WASHER	-	-	-	-	2	-	-	-	-	-	-	-	-	2	-
6	PICK AND PLACE PLATE WHITE	-	-	-	-	-	-	-	-	-	1	1	1	1	1	1
5	PICK AND PLACE PLATE CLEAR	1	1	1	1	1	1	1	1	1	-	-	-	-	-	-
4	OVERMOLDED CONTACTS BOTTOM (19 CONTACTS)	1	1	1	1	1	1	1	1	1	1	1	1	1	1	1
3	OVERMOLDED CONTACTS TOP (19 CONTACTS)	1	1	1	1	1	1	1	1	1	1	1	1	1	1	1
2	ORGANISER	1	1	1	1	1	1	1	1	1	1	1	1	1	1	1
1	HOUSING	1	1	1	1	1	1	1	1	1	1	1	1	1	1	1

THIS DRAWING IS A CONTROLLED DOCUMENT. DWN: E.ZIJLSTRA 17FEB2011, CHK: B.MOOLIJ 17FEB2011, APVD: I.d. BOER

TE Connectivity

NAME: ZQSFP+ CONNECTOR 38 POSITIONS

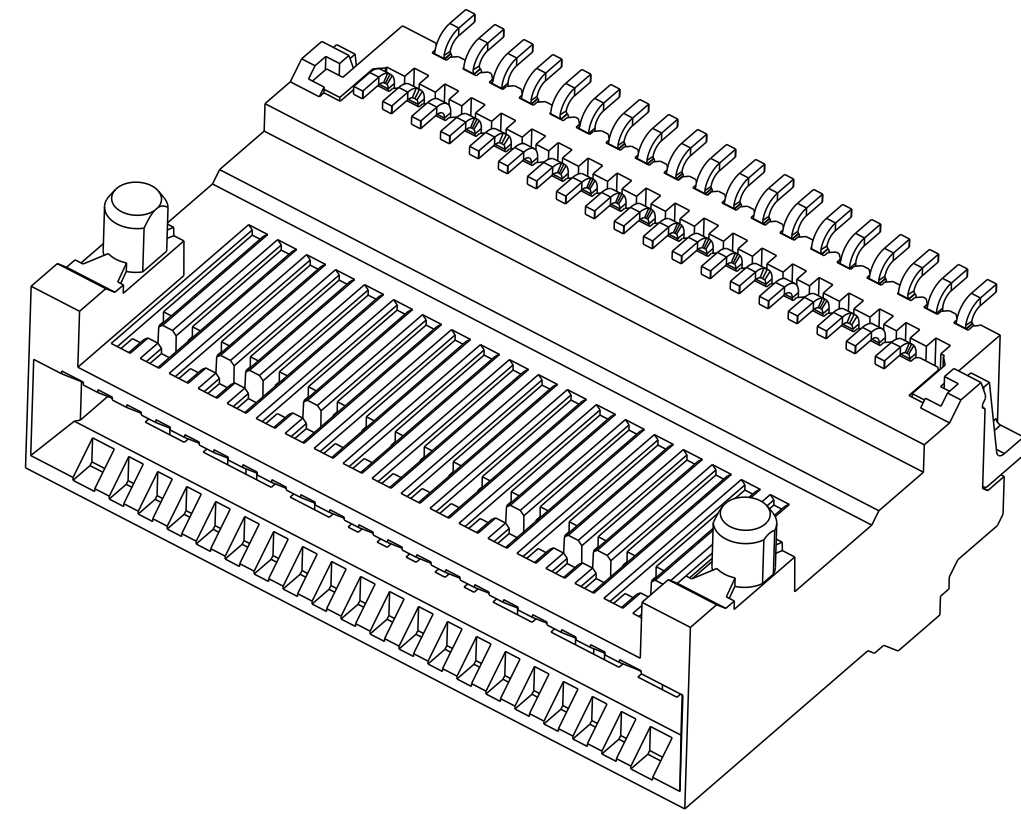
108-19428

114-32022

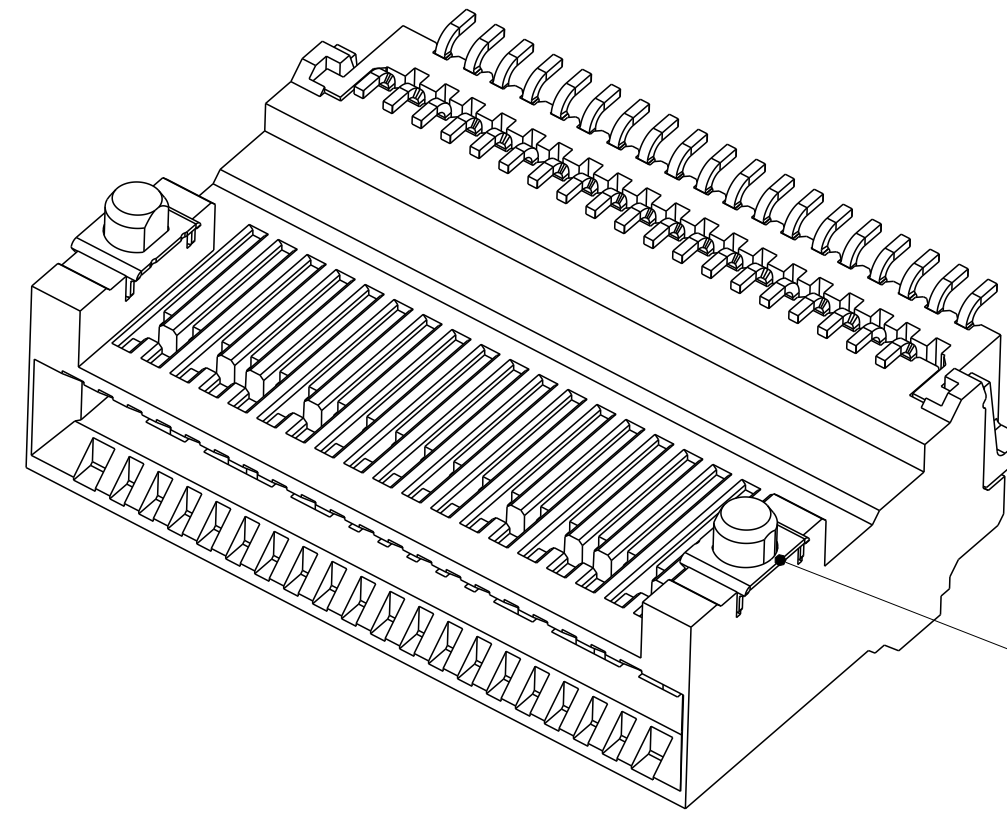
SCALE: 4:1, SHEET 1 OF 3, REV N1

THIS DRAWING IS UNPUBLISHED. RELEASED FOR PUBLICATION
 © COPYRIGHT - BY - ALL RIGHTS RESERVED.

REVISIONS				
P	LTR	DESCRIPTION	DATE	APVD
-	-	SEE SHEET 1	-	-

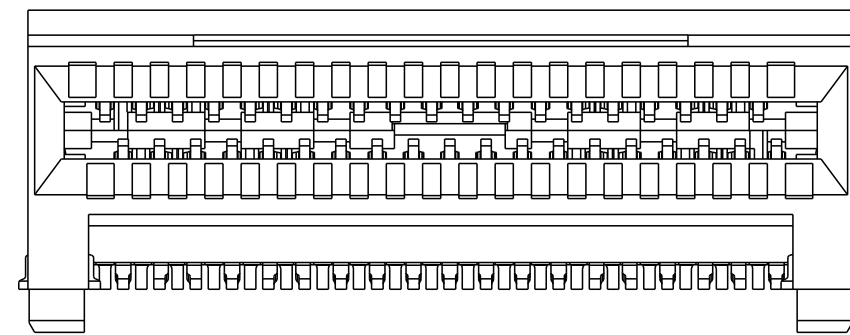


1551920-1, -2, -3, -5, -6, -7, -8
 2-1551920-1, 2-2, 2-3, 2-5, 3-2 AS SHOWN
 WITHOUT RETENTION WASHER
 SCALE 6:1

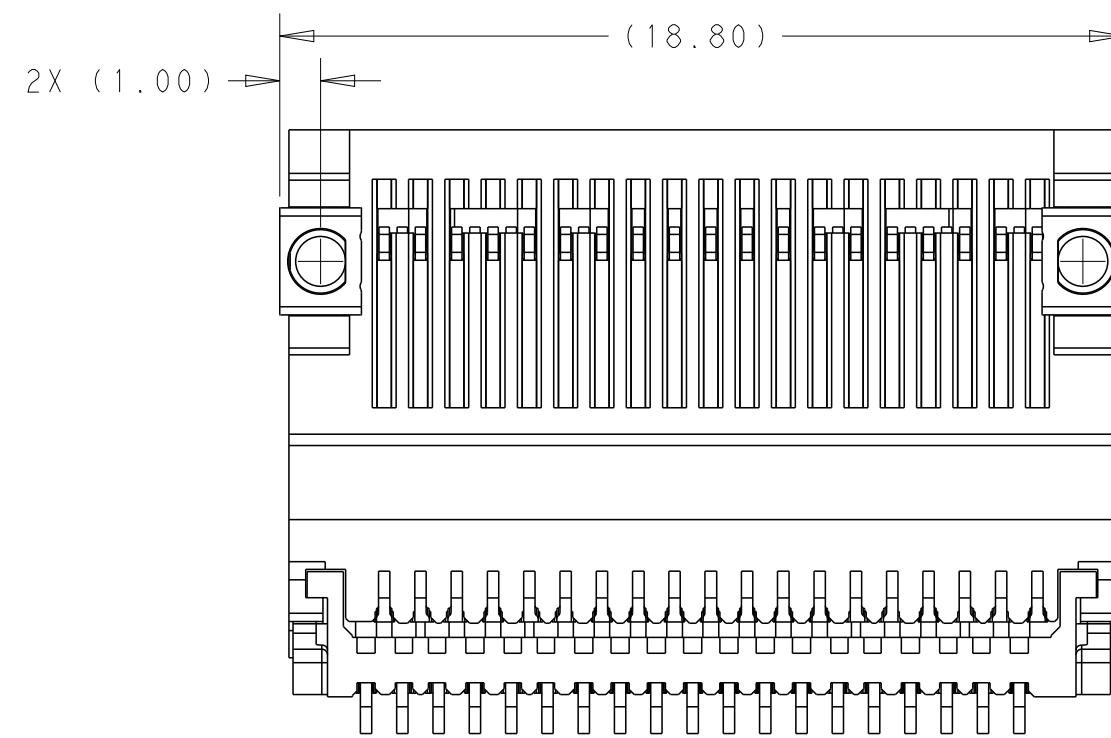
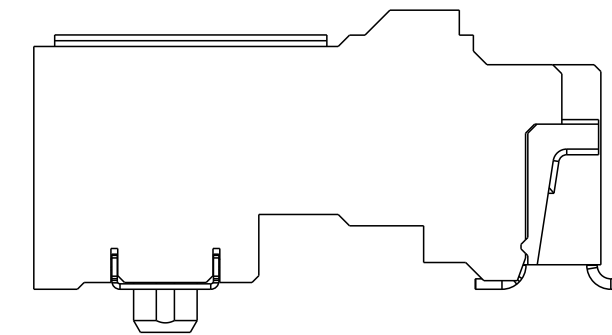



RETENTION WASHER

1551920-4/2-1551920-4 AS SHOWN
 WITH RETENTION WASHER
 SCALE 6:1



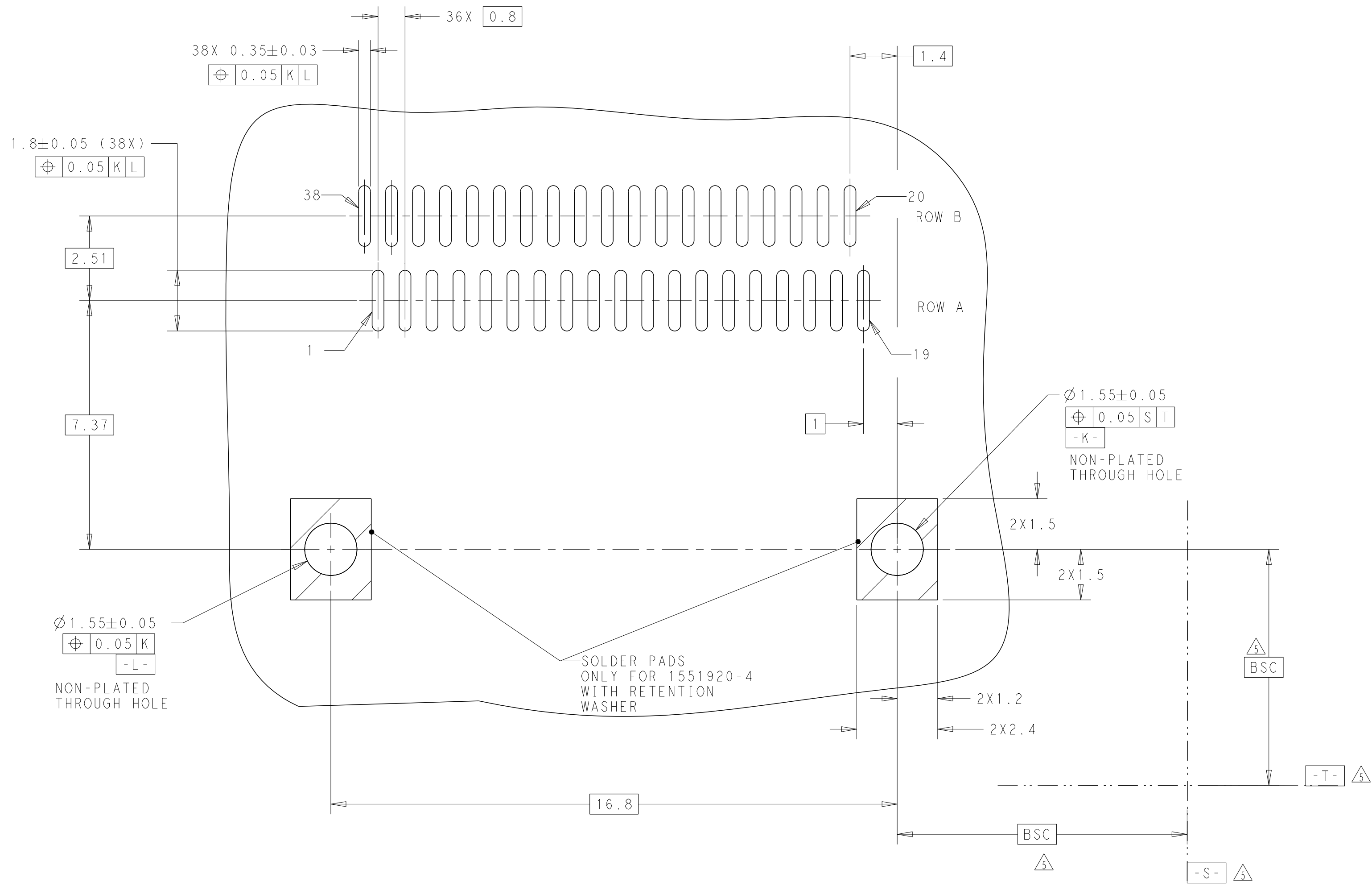
1551920-4/2-1551920-4 AS SHOWN
 UNSPECIFIED DIMENSIONS ARE SAME AS 1551920-1
 SCALE 6:1



THIS DRAWING IS A CONTROLLED DOCUMENT.		DWN E. ZIJLSTRA 17FEB2011	 TE Connectivity	
DIMENSIONS: mm		CHK B. MOOIJ 17FEB2011		
TOLERANCES UNLESS OTHERWISE SPECIFIED:		APVD I. d. BOER	NAME ZQSFP+ CONNECTOR 38 POSITIONS	
0 PLC ±0.13		PRODUCT SPEC 108-19428	SIZE -	
1 PLC ±0.13		APPLICATION SPEC 114-32022	CAGE CODE A200779	DRAWING NO C-1551920
2 PLC ±0.13		WEIGHT -	RESTRICTED TO -	
3 PLC ±		CUSTOMER DRAWING	SCALE 4:1	SHEET 2 OF 3
4 PLC ±				REV N1
ANGLES ±				
FINISH -				

THIS DRAWING IS UNPUBLISHED. RELEASED FOR PUBLICATION
 © COPYRIGHT - BY - ALL RIGHTS RESERVED.

REVISIONS				
P	LTR	DESCRIPTION	DATE	APVD
-	-	SEE SHEET 1	-	-



RECOMMENDED PCB-BOARD LAYOUT

THIS DRAWING IS A CONTROLLED DOCUMENT.		DWN E. ZIJLSTRA 17FEB2011	TE Connectivity	
		CHK B. MOOIJ 17FEB2011		
DIMENSIONS: mm		APVD I. d. BOER	NAME ZQSFP+ CONNECTOR 38 POSITIONS	
TOLERANCES UNLESS OTHERWISE SPECIFIED: 0 PLC ±0.13 1 PLC ±0.13 2 PLC ±0.13 3 PLC ± 4 PLC ± ANGLES ± FINISH -		PRODUCT SPEC 108-19428	RESTRICTED TO -	
MATERIAL -		APPLICATION SPEC 114-32022	SIZE A200779	DRAWING NO C-1551920
		WEIGHT -	SCALE 4:1	SHEET 3 OF 3
		CUSTOMER DRAWING	REV N1	