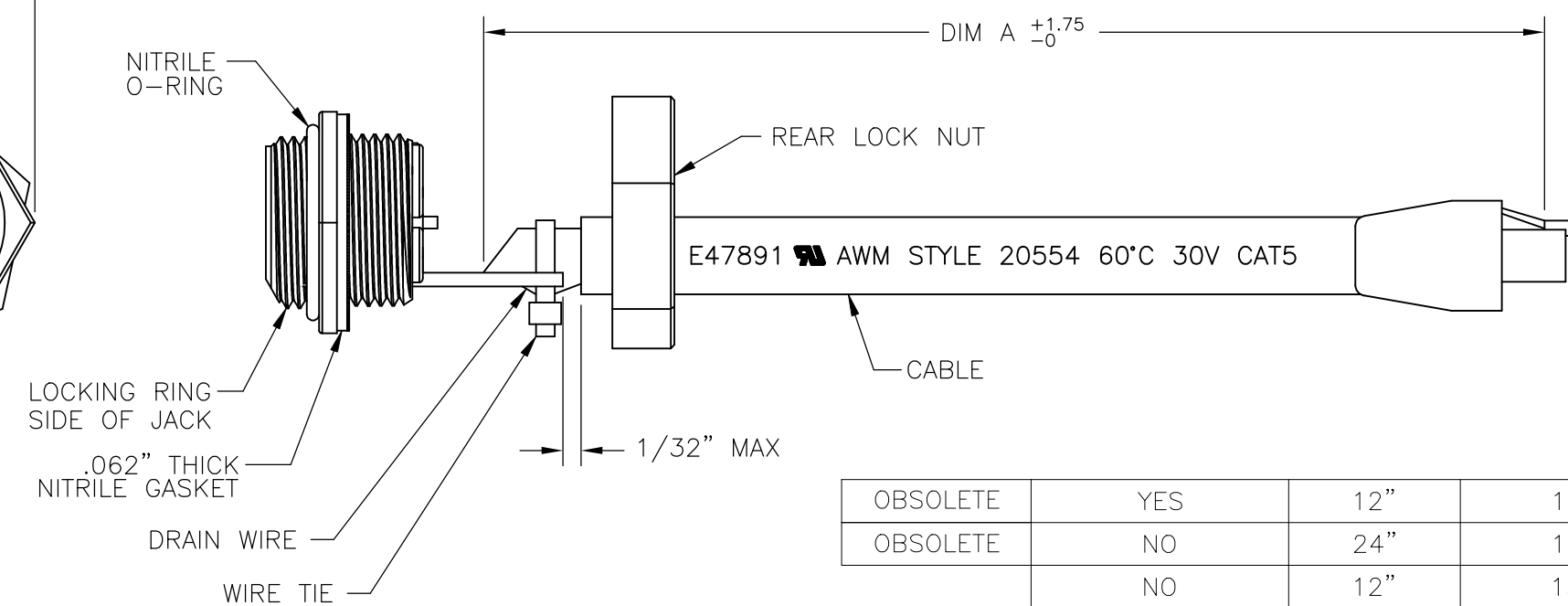
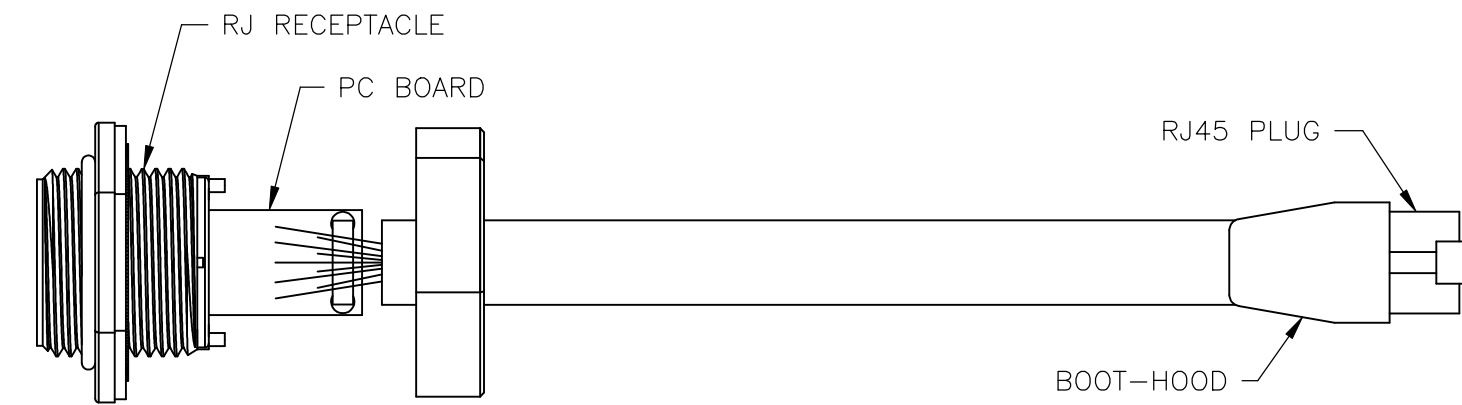
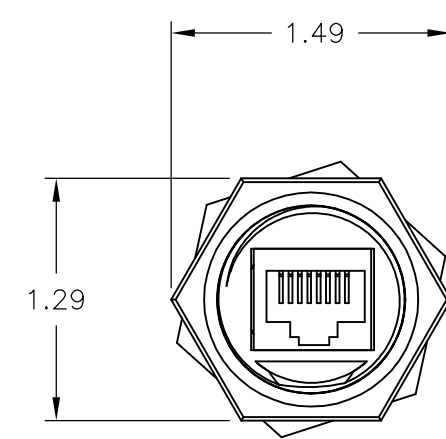
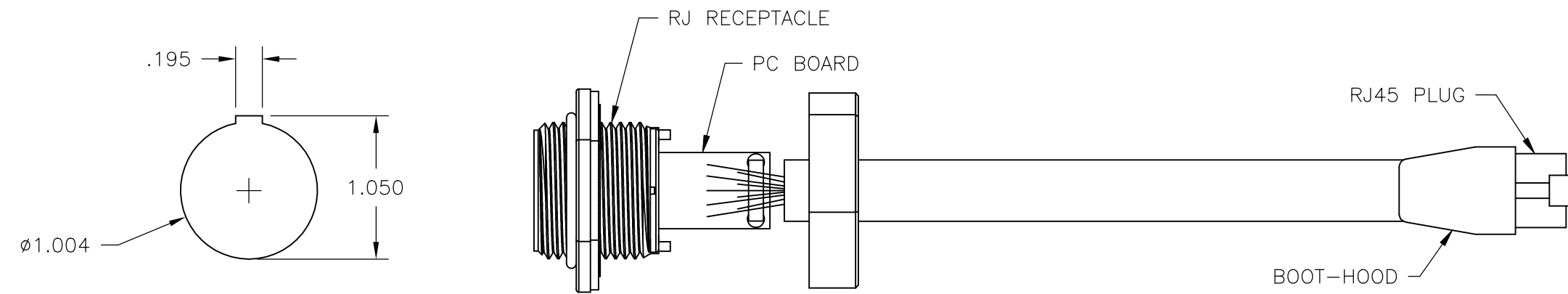


THIS DRAWING IS UNPUBLISHED. RELEASED FOR PUBLICATION
 © COPYRIGHT - By - ALL RIGHTS RESERVED.

REVISIONS				
P	LTR	DESCRIPTION	DATE	APVD
	F2	REVISED PER ECO-11-004820	11MAR11	RK HMR
	F3	OBSOLETE PNs 1546414-5 & -6	13MAR2018	SH GN



WIRE LIST	
PIN (SAME FOR BOTH CONNECTORS)	
1	WHT/BLU
2	BLUE
3	WHT/ORG
4	GREEN
5	WHT/GRN
6	ORG
7	WHT/BROWN
8	BROWN
	GRND

OBSOLETE	YES	12"	1546414-6
OBSOLETE	NO	24"	1546414-5
	NO	12"	1546414-4
OBSOLETE	YES	12"	1546414-3
OBSOLETE	NO	24"	1546414-2
SUPERSEDED	NO	12"	1546414-1
		CABLE TIE	DIM A
			PART NUMBER

MATERIALS:
 BOOT-HOOD: POLYOLEFIN, BLACK.
 JACK: CAT 5E PCB.
 LOCKNUT: ABS, 10% GLASS FILLED, BLACK.
 PANEL MOUNT HOUSING: CLCOLAC
 CABLE: 26 AWG 8 CONDUCTOR BLACK PVC JACKET.

THIS DRAWING IS A CONTROLLED DOCUMENT.		DWN S SCHLEGEL 09OCT2002	TE Connectivity	
DIMENSIONS: INCHES		CHK H WAKEEM 10/9/02		
		APVD H WAKEEM 10/9/02	NAME ETHERNET PANEL MOUNT RECEPTACLE RJ-45 BULKHEAD PASS THROUGH WITH PATCH CORD	
TOLERANCES UNLESS OTHERWISE SPECIFIED:		PRODUCT SPEC	SIZE A3 00779	
0 PLC ± - 1 PLC ± - 2 PLC ± .02 3 PLC ± .005 4 PLC ± - ANGLES ± 2'		APPLICATION SPEC	DRAWING NO 1546414	
MATERIAL		WEIGHT	RESTRICTED TO	
			A3 00779	
		CUSTOMER DRAWING	SCALE NTS	
			SHEET 1 OF 1	
			REV F3	