

THIS DRAWING IS UNPUBLISHED.

RELEASED FOR PUBLICATION

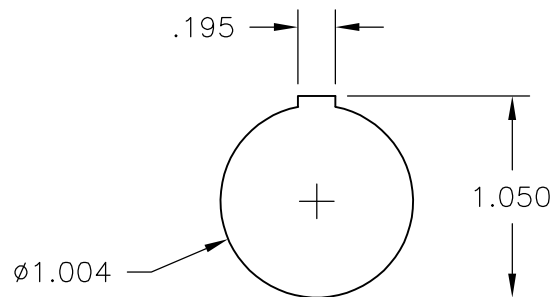
© COPYRIGHT - By -

ALL RIGHTS RESERVED.

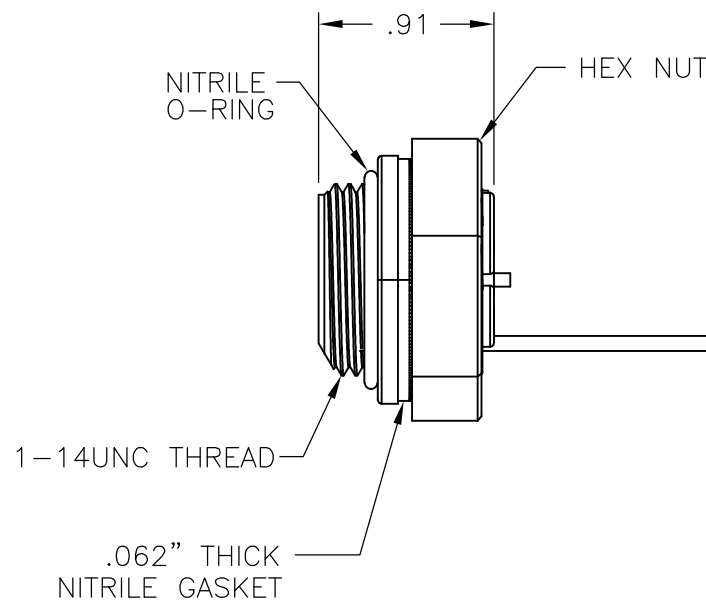
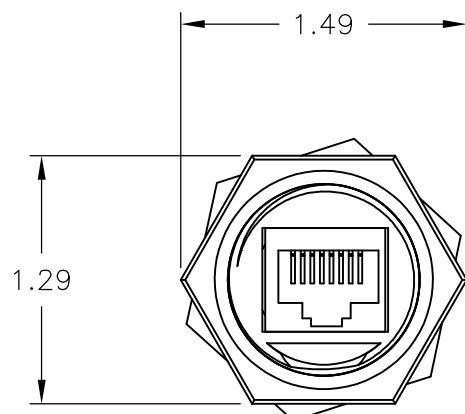
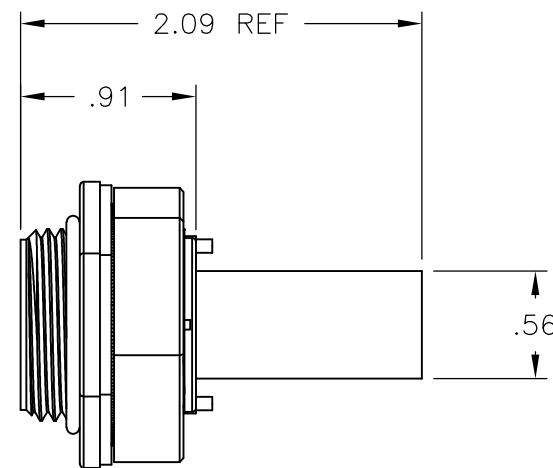
LOC FT DIST 0

REVISIONS

P	LTR	DESCRIPTION	DATE	DWN	APVD
	C1	REVISED PER ECO-11-004917	11MAR11	RK	HMR



BACKEND DIMS. OF RECEPTACLE



	1-1546409-1
SUPERSEDED	1546409-1
	PART NO.

THIS DRAWING IS A CONTROLLED DOCUMENT.		DWN S SCHLEGEL 09OCT2002	STE TE Connectivity													
DIMENSIONS: INCHES		CHK H WAKEEM 10/9/02														
TOLERANCES UNLESS OTHERWISE SPECIFIED:		APVD H WAKEEM 10/9/02	NAME RECEPTACLE WITH PC BOARD													
<table border="1"> <tr><td>0 PLC</td><td>± -</td></tr> <tr><td>1 PLC</td><td>± -</td></tr> <tr><td>2 PLC</td><td>± .02</td></tr> <tr><td>3 PLC</td><td>± .005</td></tr> <tr><td>4 PLC</td><td>± -</td></tr> <tr><td>ANGLES</td><td>± 2'</td></tr> </table>		0 PLC	± -	1 PLC	± -	2 PLC	± .02	3 PLC	± .005	4 PLC	± -	ANGLES	± 2'	PRODUCT SPEC -	SIZE CAGE CODE DRAWING NO RESTRICTED TO	
0 PLC	± -															
1 PLC	± -															
2 PLC	± .02															
3 PLC	± .005															
4 PLC	± -															
ANGLES	± 2'															
MATERIAL -		APPLICATION SPEC -	A3 00779 C-1546409													
FINISH -		WEIGHT -	CUSTOMER DRAWING SCALE NTS SHEET 1 OF 1 REV C1													