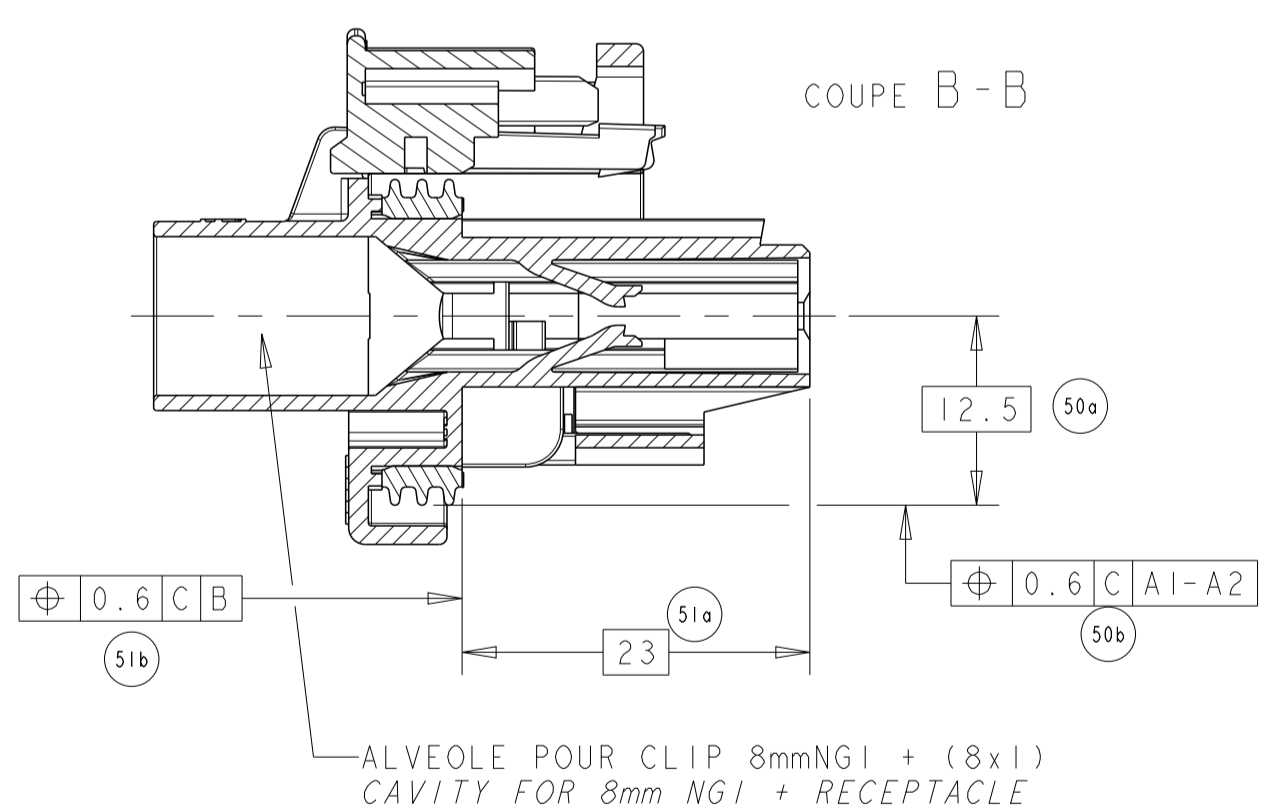
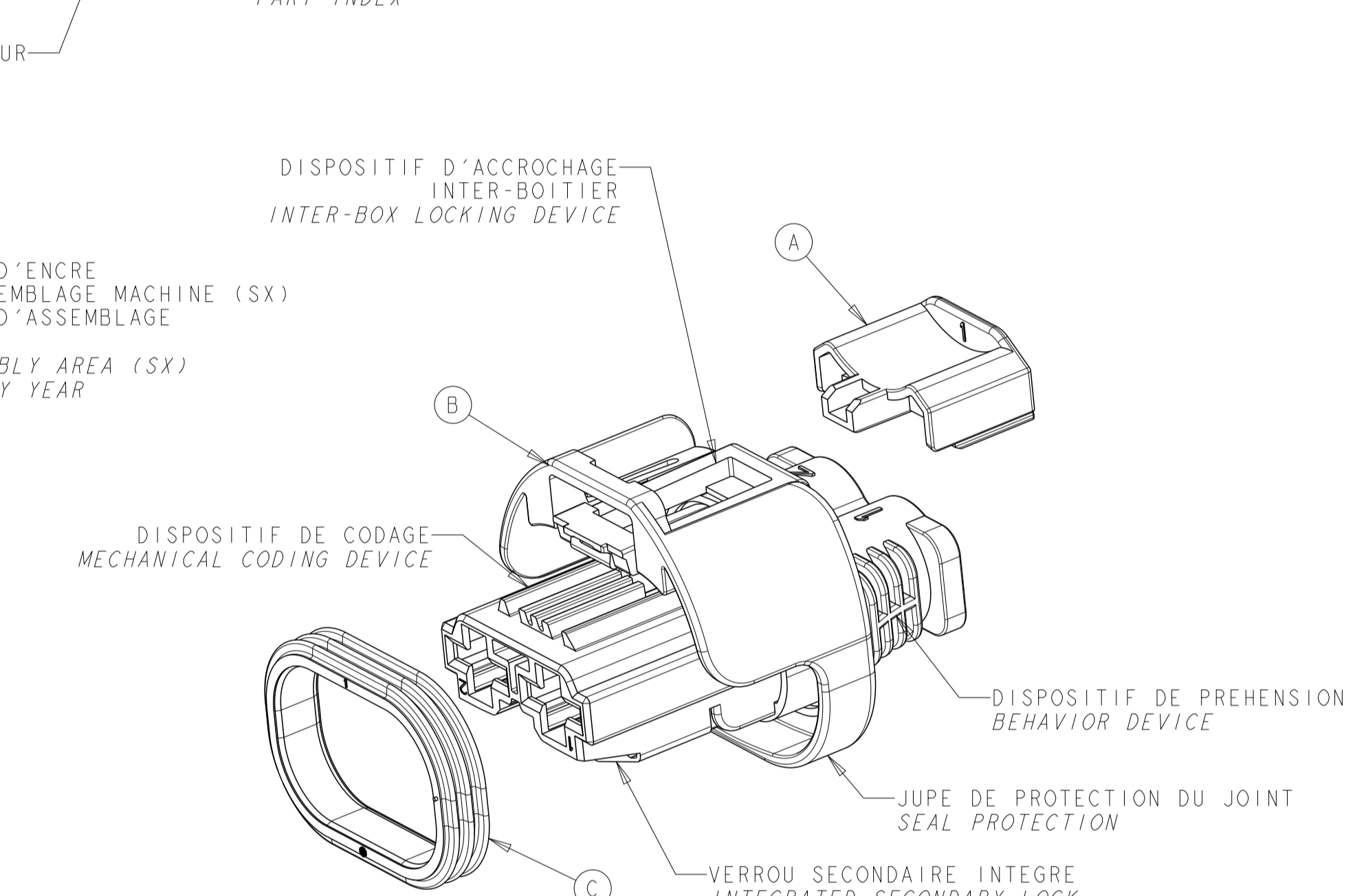
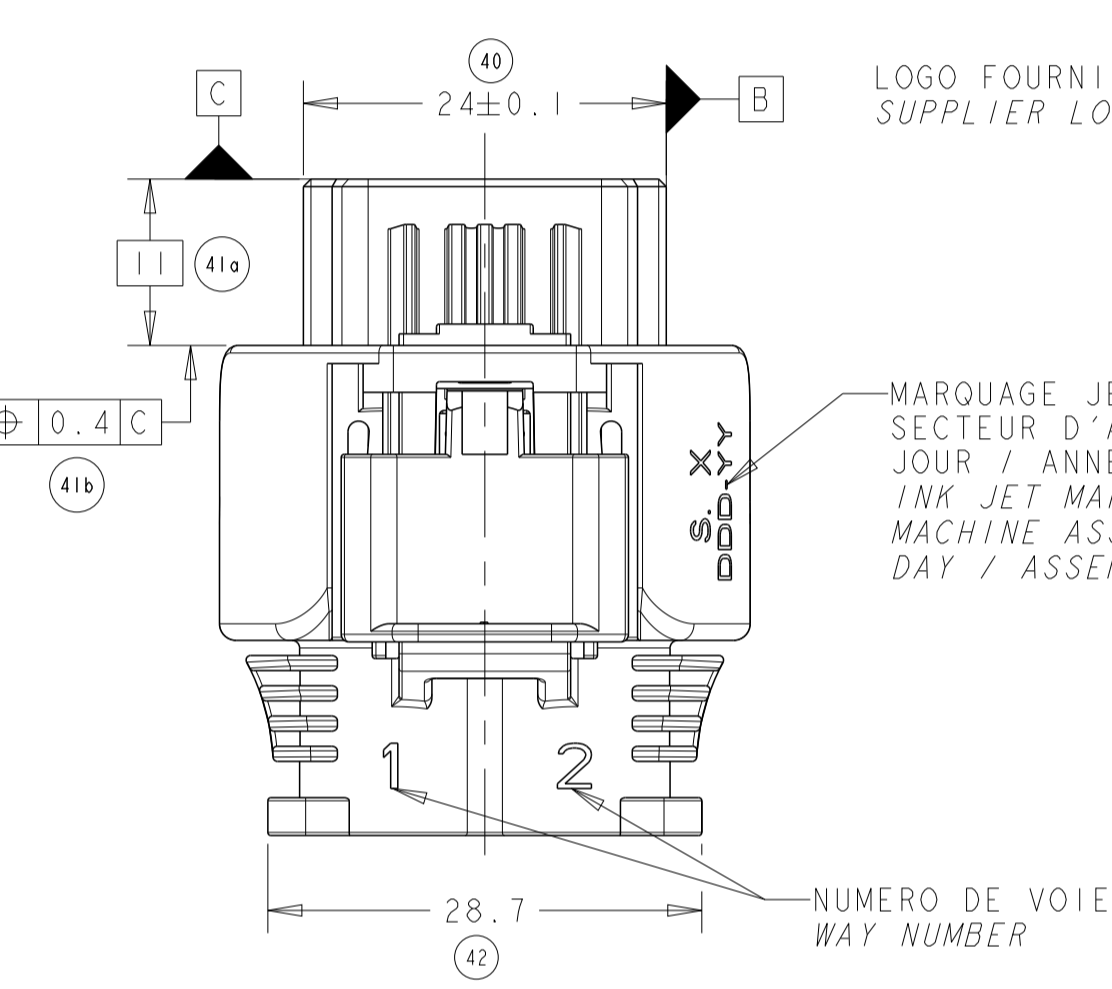
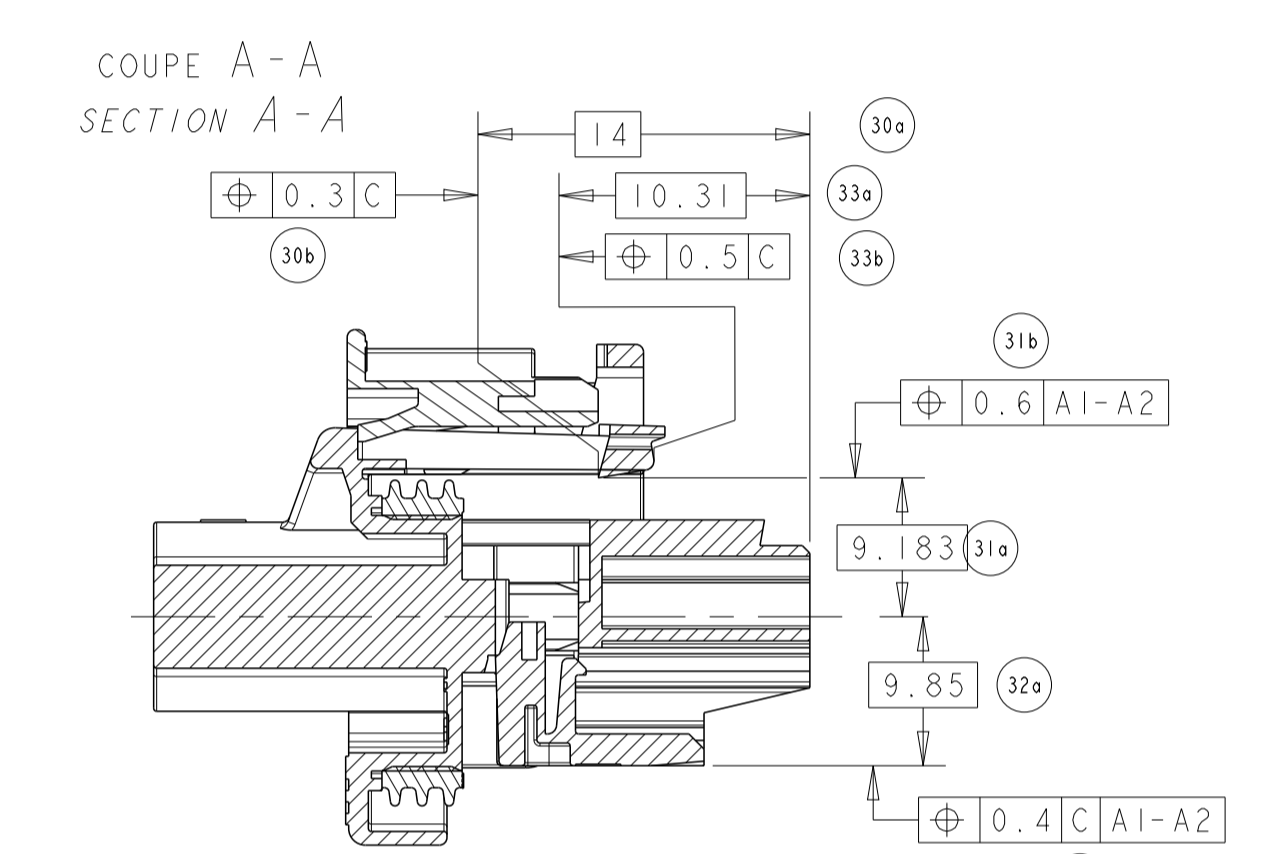
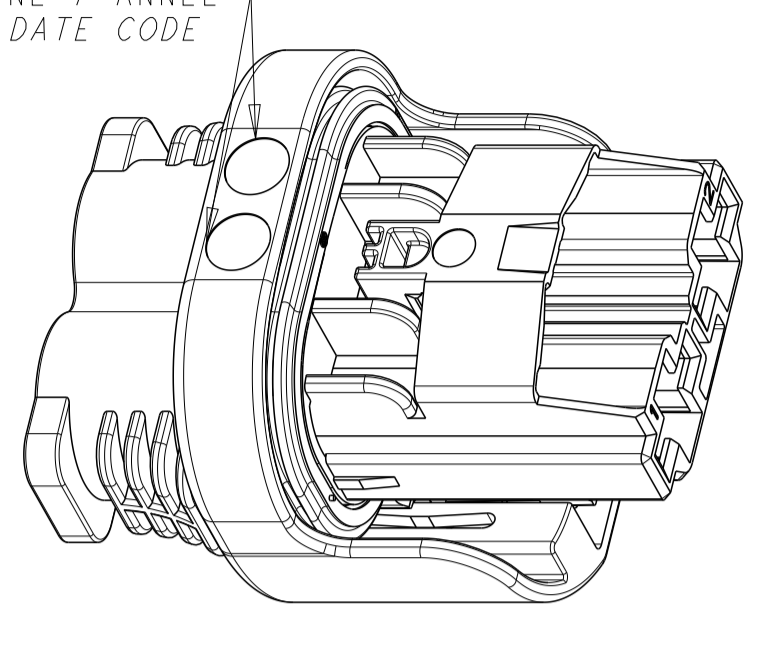
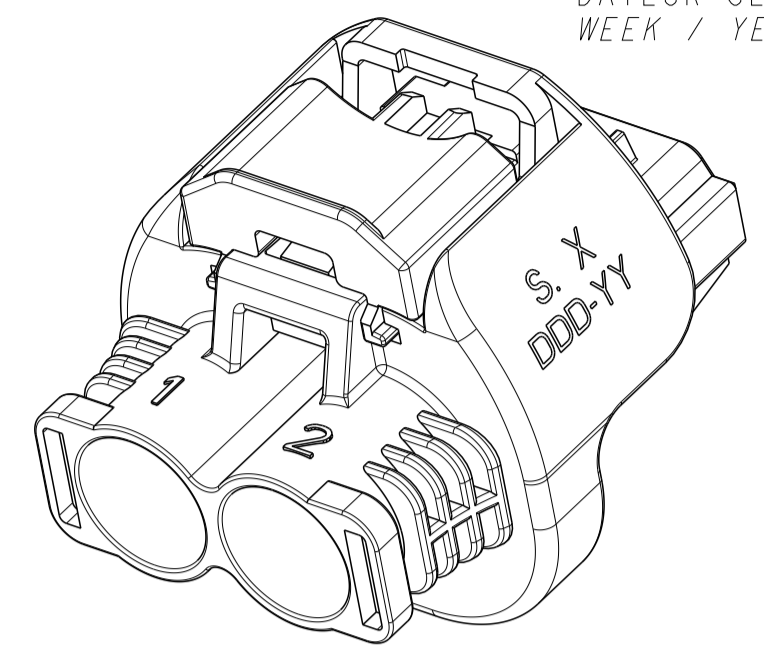
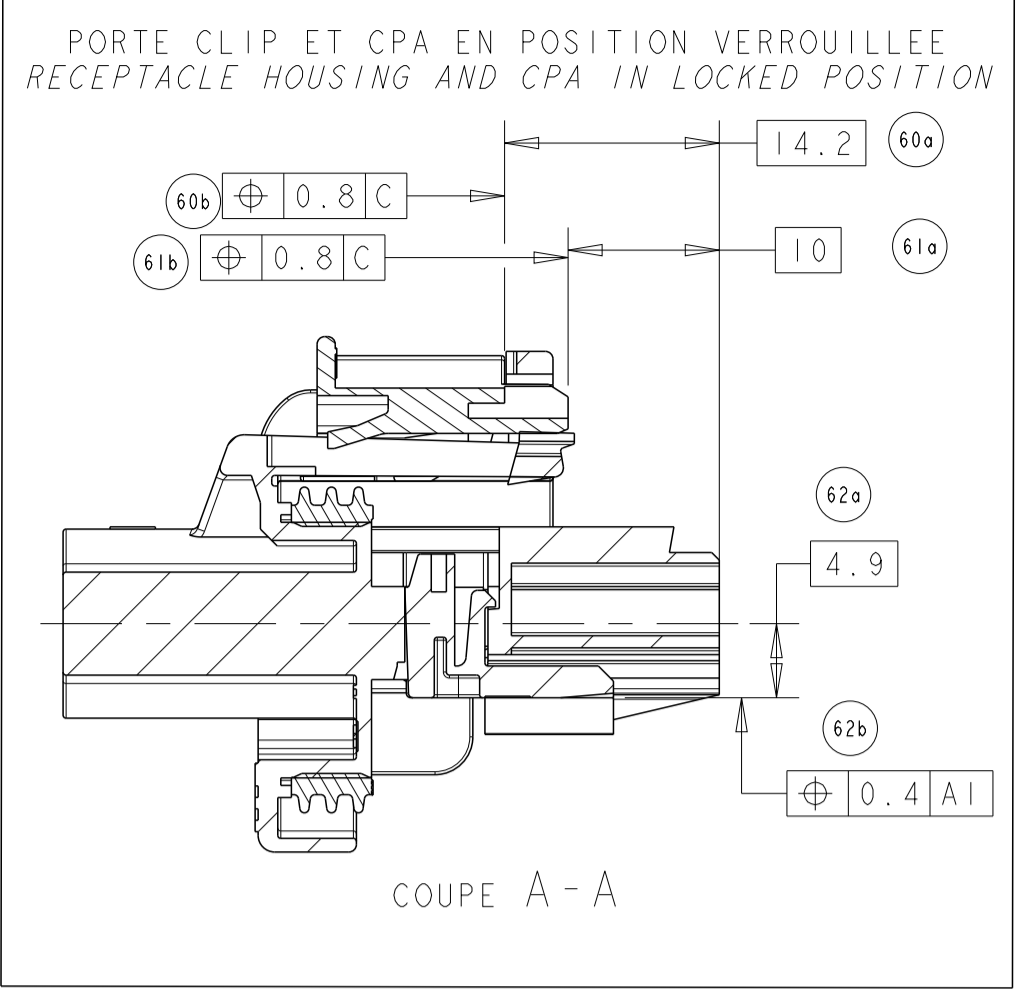
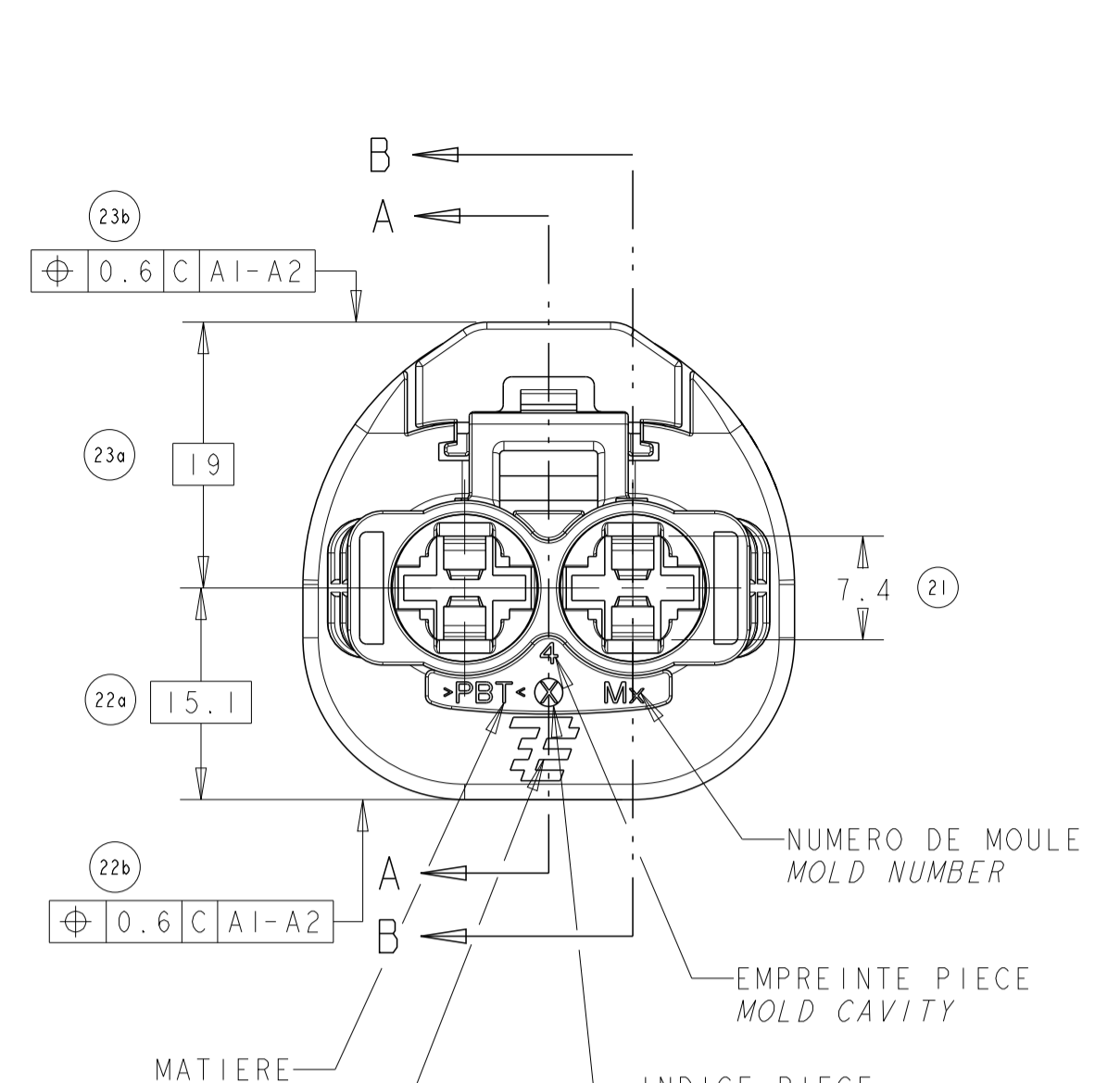
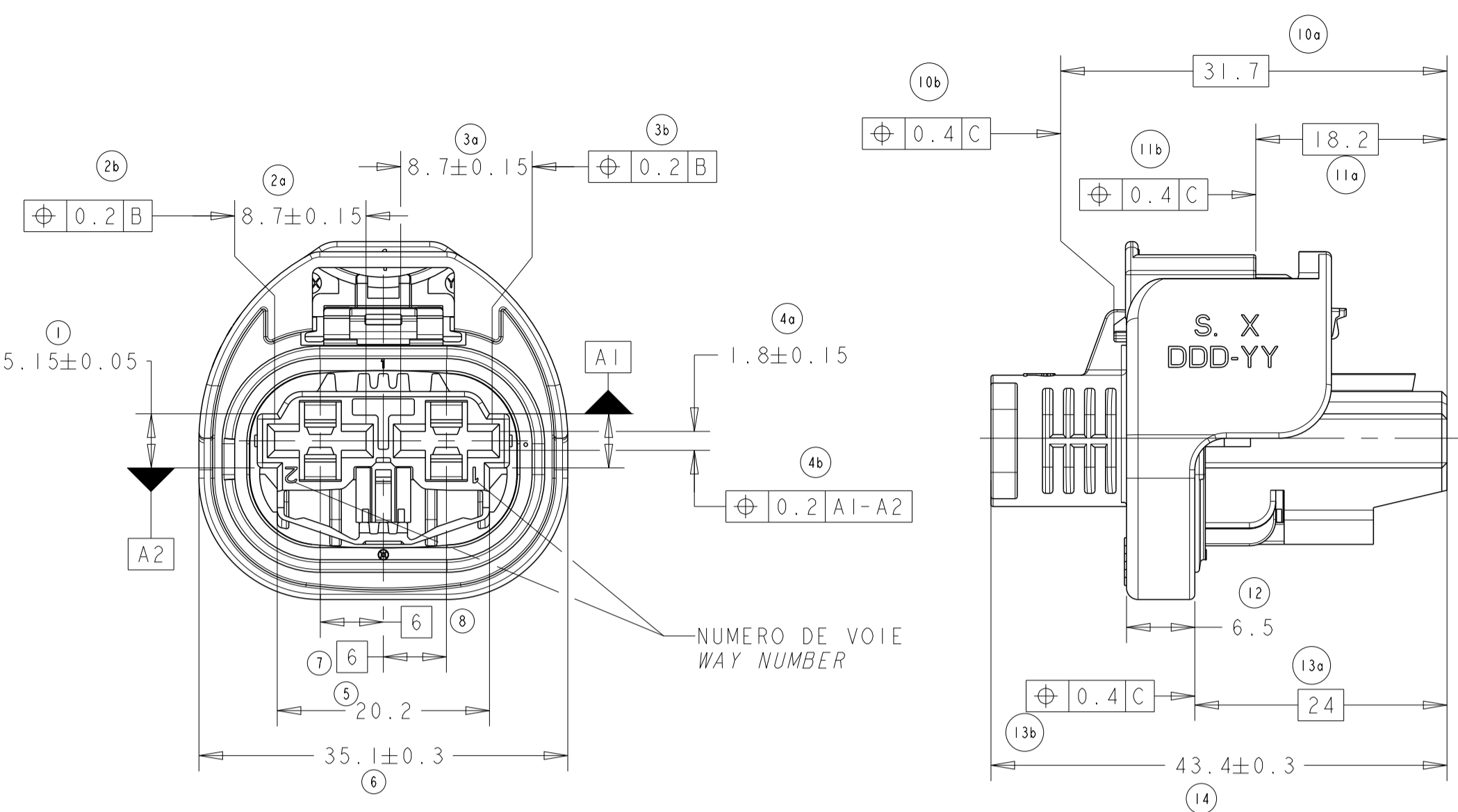


LOC	DIST	REVISIONS					
F	00	P	LTN	DESCRIPTION	DATE	OWN	APPR
		A		FIRST ISSUE	02APRIL2012	PCS	JDr
		B		PBT OXGF HB was PBT OXGF VO	11JAN2016	PB	XR

DATEUR SEMAINE / ANNEE  
 WEEK / YEAR DATE CODE



LOGO FOURNISSEUR  
 SUPPLIER LOGO

MARQUAGE JET D'ENCRE  
 SECTEUR D'ASSEMBLAGE MACHINE (SX)  
 JOUR / ANNEE D'ASSEMBLAGE  
 INK JET MARK  
 MACHINE ASSEMBLY AREA (SX)  
 DAY / ASSEMBLY YEAR

REFERENCES TE POUR CABLEURS TE PART NUMBERS FOR HARNESS MAKERS			
COMPOSANTS COMPONENTS	TE REFERENCES	MATIERE MATERIAL	COULEUR COLOR
CLIP / RECEPTACLE 8MM NG1+ SECTION 2.5 A 4 MM2 WIRE SECTION FROM 2.5 TO 4 MM2	1544964-1	CUIVRE MICRO ALLIEE + SnAg MICRO ALLOY COPPER + SnAg	/
CLIP / RECEPTACLE 8MM NG1+ SECTION 5 A 6 MM2 WIRE SECTION FROM 5 TO 6 MM2	1544965-1	CUIVRE MICRO ALLIEE + SnAg MICRO ALLOY COPPER + SnAg	/
CLIP / RECEPTACLE 8MM NG1+ SECTION 7 A 10 MM2 WIRE SECTION FROM 7 TO 10 MM2	1544966-1	CUIVRE MICRO ALLIEE + SnAg MICRO ALLOY COPPER	/
CLIP / RECEPTACLE 8MM NG1+ SECTION 2.5 A 4 MM2 WIRE SECTION FROM 2.5 TO 4 MM2	1544964-2	CUIVRE MICRO ALLIEE + Ag MICRO ALLOY COPPER + Ag	/
CLIP / RECEPTACLE 8MM NG1+ SECTION 5 A 6 MM2 WIRE SECTION FROM 5 TO 6 MM2	1544965-2	CUIVRE MICRO ALLIEE + Ag MICRO ALLOY COPPER + Ag	/
CLIP / RECEPTACLE 8MM NG1+ SECTION 7 A 10 MM2 WIRE SECTION FROM 7 TO 10 MM2	1544966-2	CUIVRE MICRO ALLIEE + Ag MICRO ALLOY COPPER + Ag	/
JOINT NG9K A SERTIR 2.5 A 5 MM2 NG9K SEAL 2.5 TO 5 MM2 DIAMETRE FIL 2.65 A 4 mm WIRE DIAMETER FROM 2.65 TO 4 mm	1544970-1	MVO 50 Sh A AUTOLUBRIFIE MVO 50 Sh A SELF-LUBRICATING	MARRON BROWN
JOINT NG9K A SERTIR 6 A 7 MM2 NG9K SEAL 6 TO 7 MM2 DIAMETRE FIL 4.1 A 5 mm WIRE DIAMETER FROM 4.1 TO 5 mm	1544970-2	MVO 50 Sh A AUTOLUBRIFIE MVO 50 Sh A SELF-LUBRICATING	BLEU BLUE
JOINT NG9K A SERTIR 10 MM2 NG9K SEAL 10 MM2 DIAMETRE FIL 4.3 A 6 mm WIRE DIAMETER FROM 4.3 TO 6 mm	1544970-3	MVO 50 Sh A AUTOLUBRIFIE MVO 50 Sh A SELF-LUBRICATING	JAUNE YELLOW
BOUCHON NG9K NG9K PLUG	1544970-4	MVO 50 Sh A NON-LUBRIFIE MVO 50 Sh A NO-LUBRICATING	BLANC WHITE

COMPOSANTS ASSOCIES POUR CABLEURS ASSOCIATED COMPONENTS PART NUMBERS FOR HARNESS MAKERS			
COMPOSANTS COMPONENTS	TE REFERENCES	MATIERE MATERIAL	COULEUR COLOR
PORTE LANGUETTE 8MM NG1+ TAB HOUSING 8MM NG1+	1544980-1	PBT 10% FV VO	NOIR BLACK
PORTE LANGUETTE 8MM NG1+ TAB HOUSING 8MM NG1+	1544980-2	PBT 10% FV VO	BLEU BLUE
PORTE LANGUETTE 8MM NG1+ TAB HOUSING 8MM NG1+	1544980-3	PBT 10% FV VO	GRIS GREY
PORTE LANGUETTE 8MM NG1+ TAB HOUSING 8MM NG1+	1544980-4	PBT 10% FV VO	VERT GREEN
PORTE LANGUETTE 8MM NG1+ TAB HOUSING 8MM NG1+	1544980-5	PBT 10% FV VO	VIOLET PURPLE

COMPOSANTS / COMPONENTS					
REP	DESCRIPTION	DESIGNATION	MATIERE MATERIAL	COULEUR COLOR	Nbr
A	CPA	CPA	PBT 10% GF	ORANGE ORANGE	1
B	HOUSING	PORTE CLIPS	PBT 0% GF HB	NOIR/BLEU/GRIS/VERT/VIOLET BLACK/BLUE/GREY/GREEN/PURPLE	1
C	SEAL	JOINT	SILICONE	VERT GREEN	1

DOCUMENTS DE REFERENCE / REFERENCE DOCUMENTS :

- PLAN D'INTERFACE / INTERFACE DRAWING :  
 TE : 1544681
- REFERENCE REPRESENTEE / PN SHOWING :  
 1544978-1

TOLERANCE GEOMETRIQUE CODAGE POUR COTES DE 70a A 80a KEYCODE GEOMETRICAL TOLERANCE FOR DIMENSIONS 70a TO 80a	TE PN	COULEUR / COLOR
$\pm 0.2$ C B	1544978-5	NEUTRE / NEUTRAL
$\pm 0.2$ C B	1544978-1	NOIR / BLACK
$\pm 0.2$ C B	1544978-2	BLEU / BLUE
$\pm 0.2$ C B	1544978-3	GRIS / GREY
$\pm 0.2$ C B	1544978-4	VERT / GREEN

THIS DRAWING IS A CONTROLLED DOCUMENT. CE PLAN EST UN DOCUMENT CONTROLÉ PAR AMP INCORPORATED. ALL DIMENSIONS IN THIS DRAWING, UNLESS OTHERWISE SPECIFIED, SHALL BE IN MILLIMETERS. DIMENSIONS: mm. TOLERANCES UNLESS OTHERWISE SPECIFIED: P: ±0.2, F: ±0.1, D: ±0.1, R: ±0.1. FINISH: \*3. WEIGHT: APPROX. 10 g. MATERIAL: PBT 10% GF HB. DATE: 29AUG2006. DRAWING NO: 1544978-1. SHEET: 1 OF 1. REV: B.

TE Connectivity

PC 2 VOIES 8 mm NG1+ ETANCHE  
 2 WAY 8mm NG1+ SEALED RECEPTACLE  
 HOUSING

Customer Drawing / PLAN CLIENT