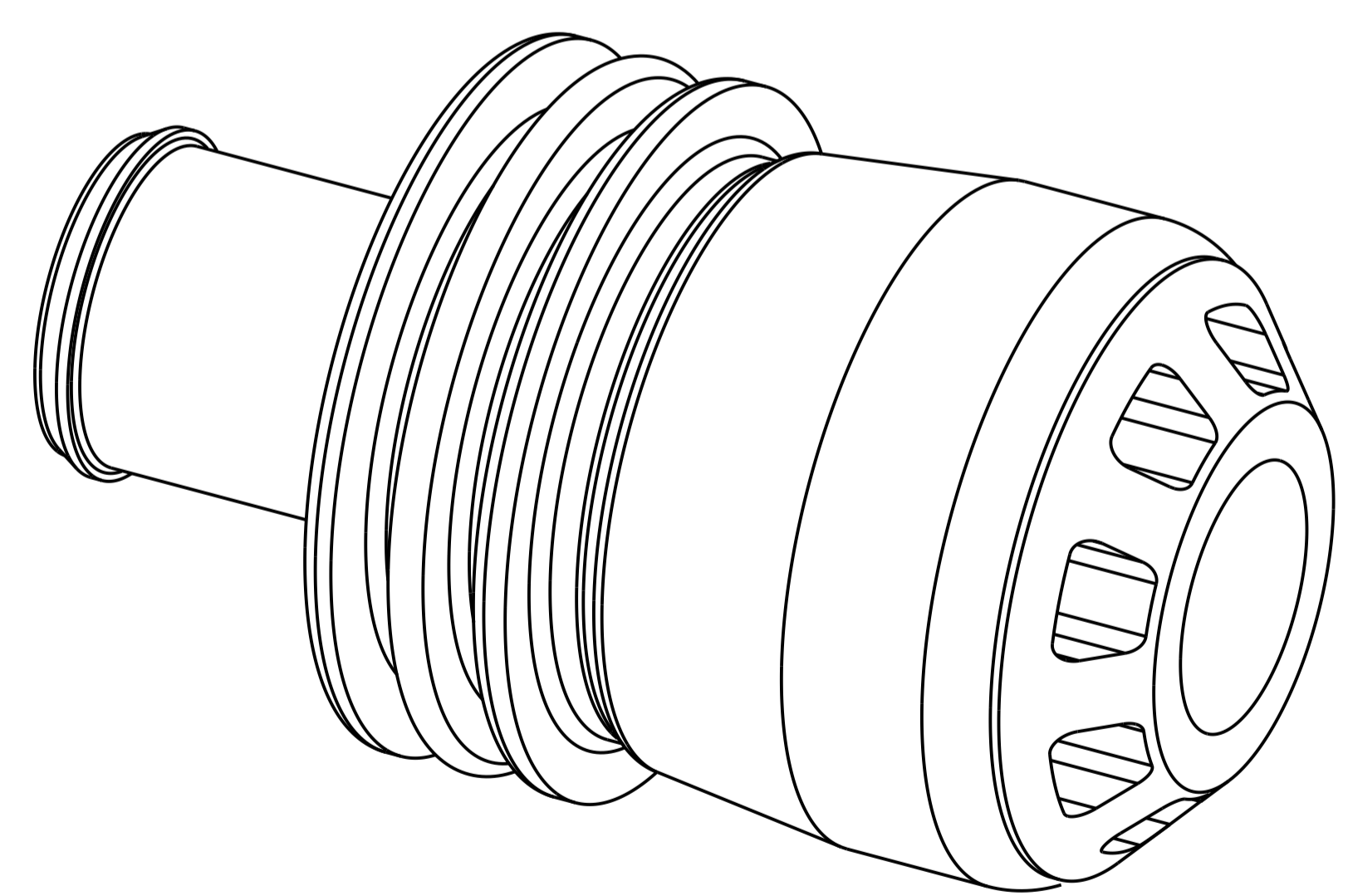
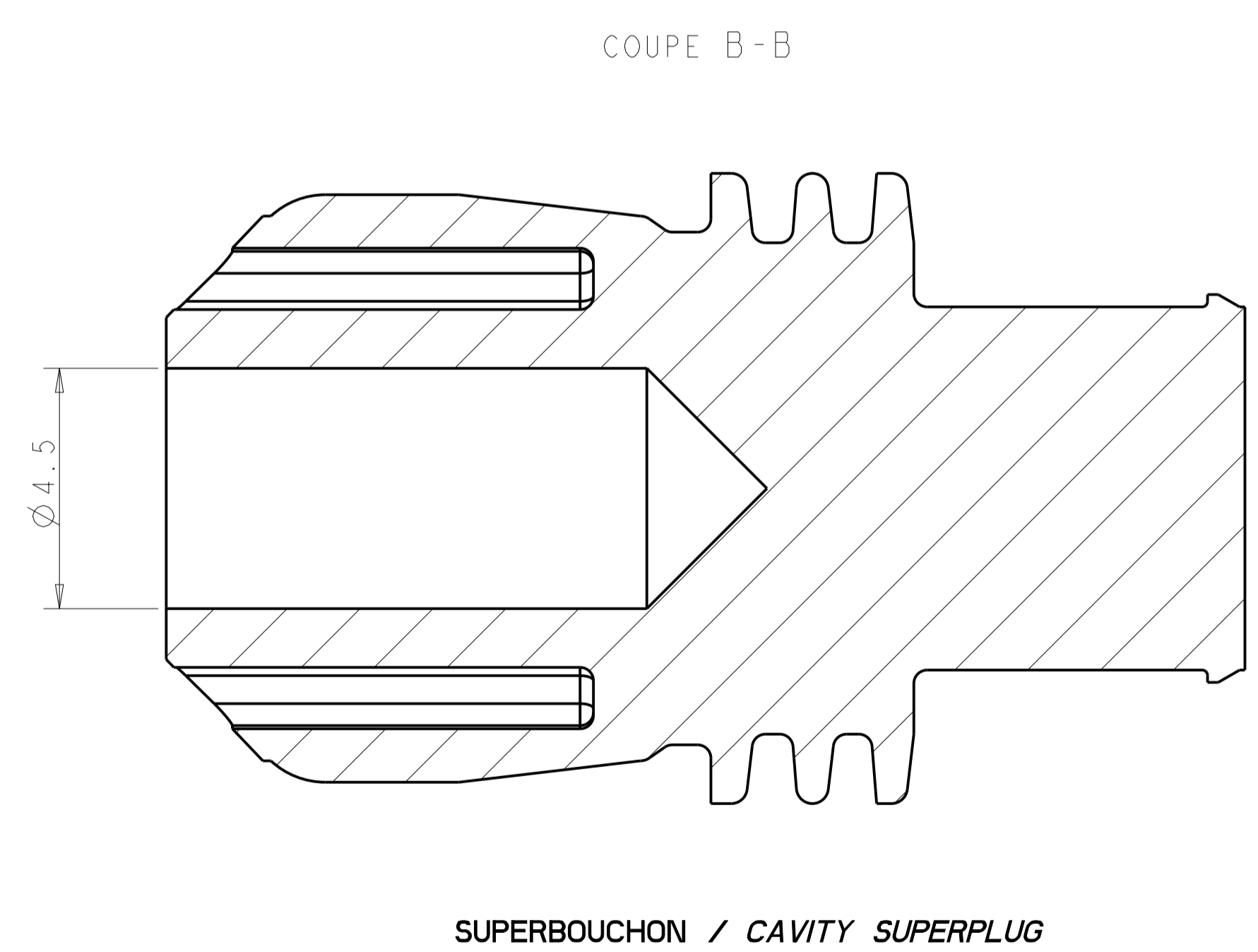
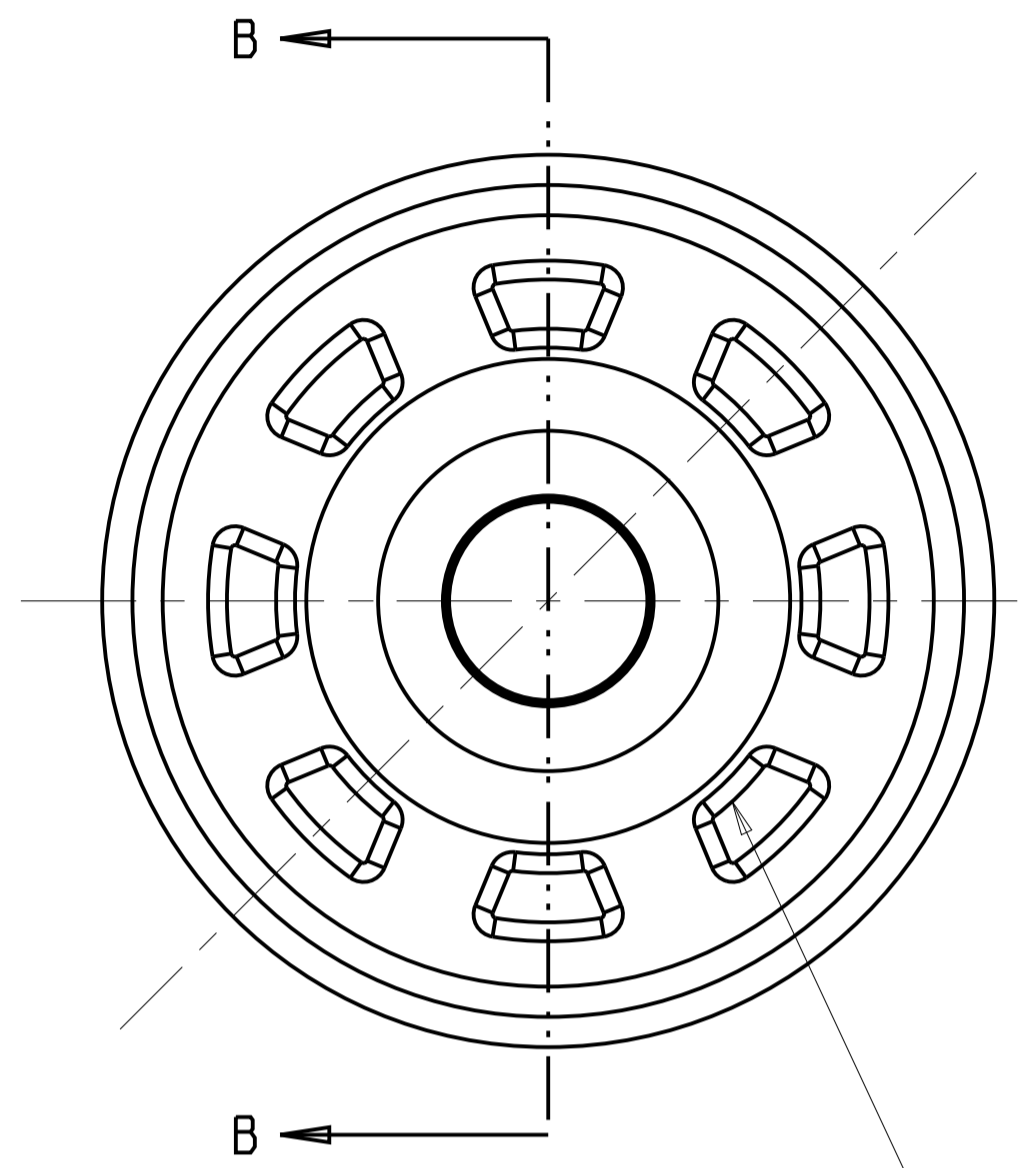
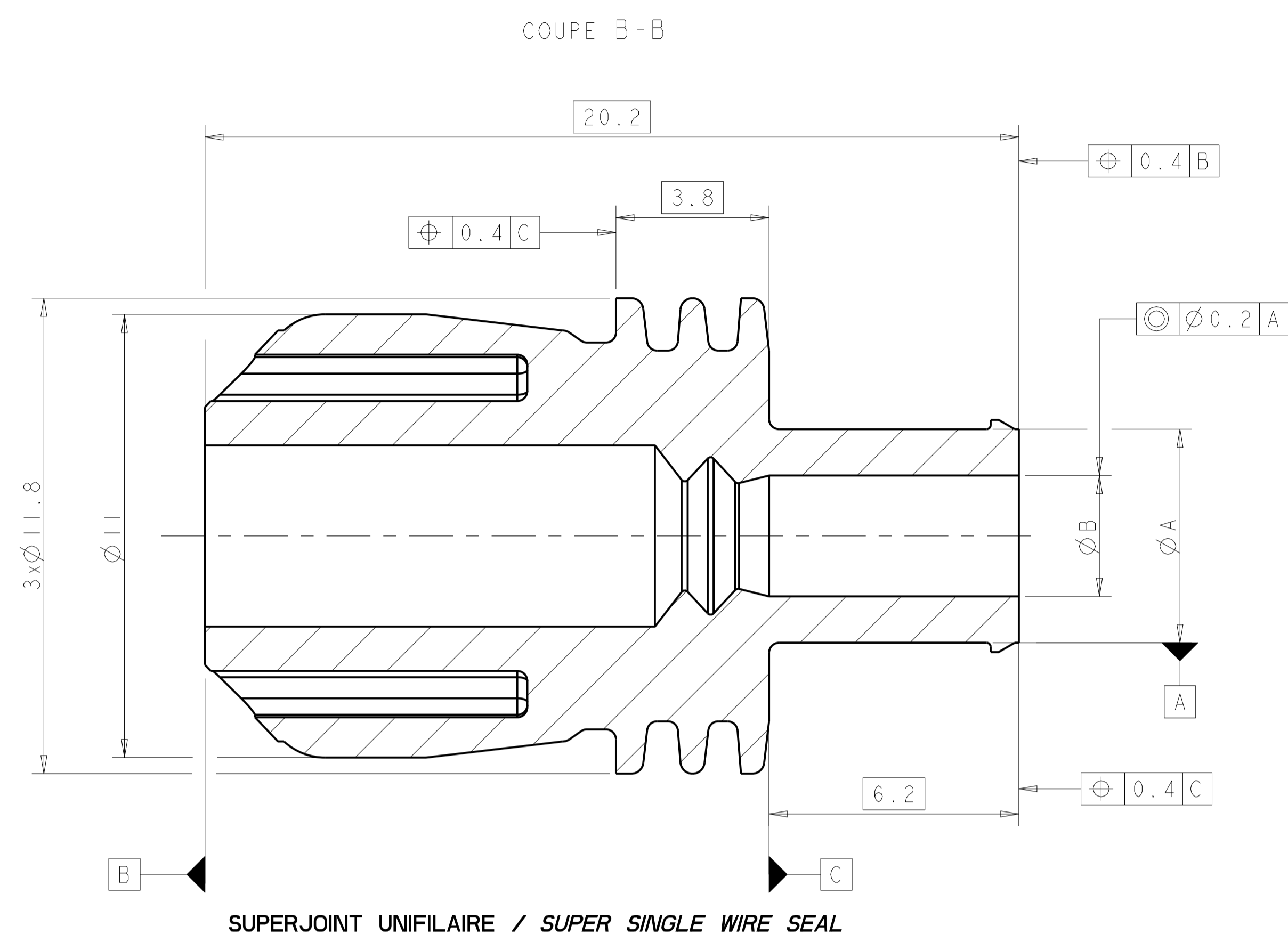


REVISIONS					
P.	LTH	DESCRIPTION	DATE	DWN	APPV
	A	INITIAL DRAWING	03FEB2014	ABV	SA



LA COTATION EST EFFECTUEE SUIVANT L'EXIGENCE D'ENVELOPPE
 DIMENSIONING IS PERFORMED ACCORDING TO SURROUNDING REQUIREMENT
 ISO 8015:1985 (NF E 04-561 OCT. 1991)

ISO 1101 (NF E 04-552)
 ISO 2692:1988 (NF E 04-555 FEV. 1992)
 ISO 5459 (NF E 04-554 DEC. 1988)
 ISO 5458:1987 (NF E 04-559 FEV. 1991)
 ISO 10578 (NF E 04-558 AOUT 1983)
 ISO 10579 (NF E 04-565 OCT. 1986)
 ISO 3040:1990 PARTIELLE (NF E 04-557 DEC. 1991)

REF TE	TE PN	DESCRIPTION	DIAMETRE ISOLANT INSULATOR Ø	Ø A A DIAMETER	Ø B B DIAMETER	MATIERE / MATERIAL	COULEUR / COLOR	MASSE (g) WEIGHT (g)
1544664-3		SUPERBOUCHON / CAVITY SUPERPLUG	PAS APPLICABLE / NOT APPLICABLE	6.8	-	SILICONE SILICON	BLANC / WHITE	1.432
1544664-2		SUPERJOINT UNIFILAIRE / SUPERSINGLE WIRE SEAL	4.6 À 5.7mm / 4.6 TO 5.7mm	6.8	4.5	SILICONE AUTOLUBRIFIE SELF-LUBRICATED SILICON	ORANGE / ORANGE	1.114
1544664-1		SUPERJOINT UNIFILAIRE / SUPERSINGLE WIRE SEAL	3.1 À 4.2mm / 3.1 TO 4.2mm	5.3	3	SILICONE AUTOLUBRIFIE SELF-LUBRICATED SILICON	VERT / GREEN	1.076

THIS DRAWING IS A CONTROLLED DOCUMENT. CE PLAN EST UN DOCUMENT CONTROLÉ PAR AND INCORPORATED. IL EST SOUS LE CONTROLE DE LA REVISION. TECHNICAL DRAWING IS UNDER THE CONTROL OF THE REVISION.

DIMENSIONS: mm

TOLERANCES UNLESS OTHERWISE SPECIFIED (SUIVANT ISO 2868):
 P: PLC (DEC): ±0.2
 F: FIN (DEC): ±0.1
 ANGLES: ±0.2°

FINISH: SEE TABLE

WEIGHT: MASSE APPROX. VOIR TABLE

Customer Drawing

DWN/DESIGNE: 03FEB2014
 ANIRUDDHA B V
 CHAKRABARTI
 ARAVINDA S

APV/APPROVE: -

NAME: SUPERJOINT UNIFILAIRE ET SUPERBOUCHON 8mm NGI SUPER SINGLE WIRE SEAL AND PLUG

PRODUCT SPEC: NON APPLICABLE
 SPEC. PRODUCT: NON APPLICABLE
 APPLICATION SPEC: 411-15697

SIZE: A1
 CAGE CODE: -
 DRAWING NO: C=1544664

RESTRICTED TO: RESERVE A

SCALE: 10:1 SHEET: 1 OF 1 REV: A