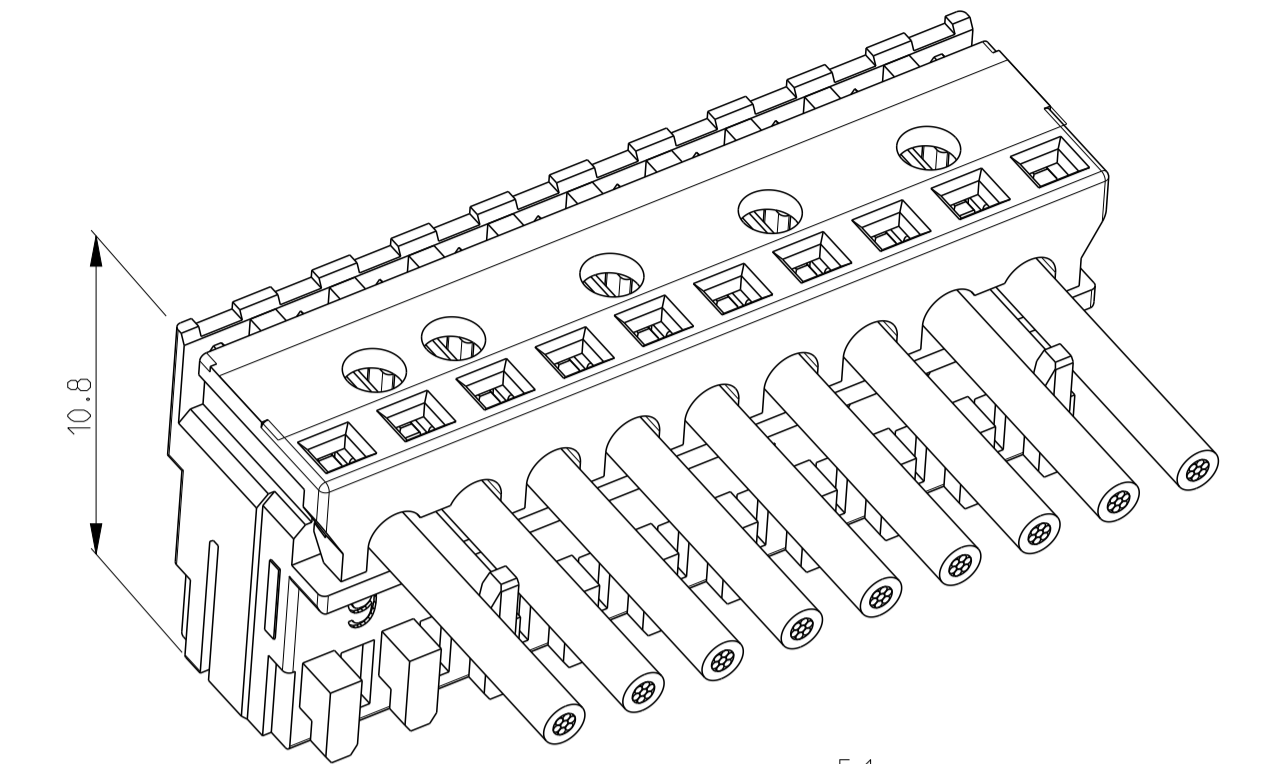
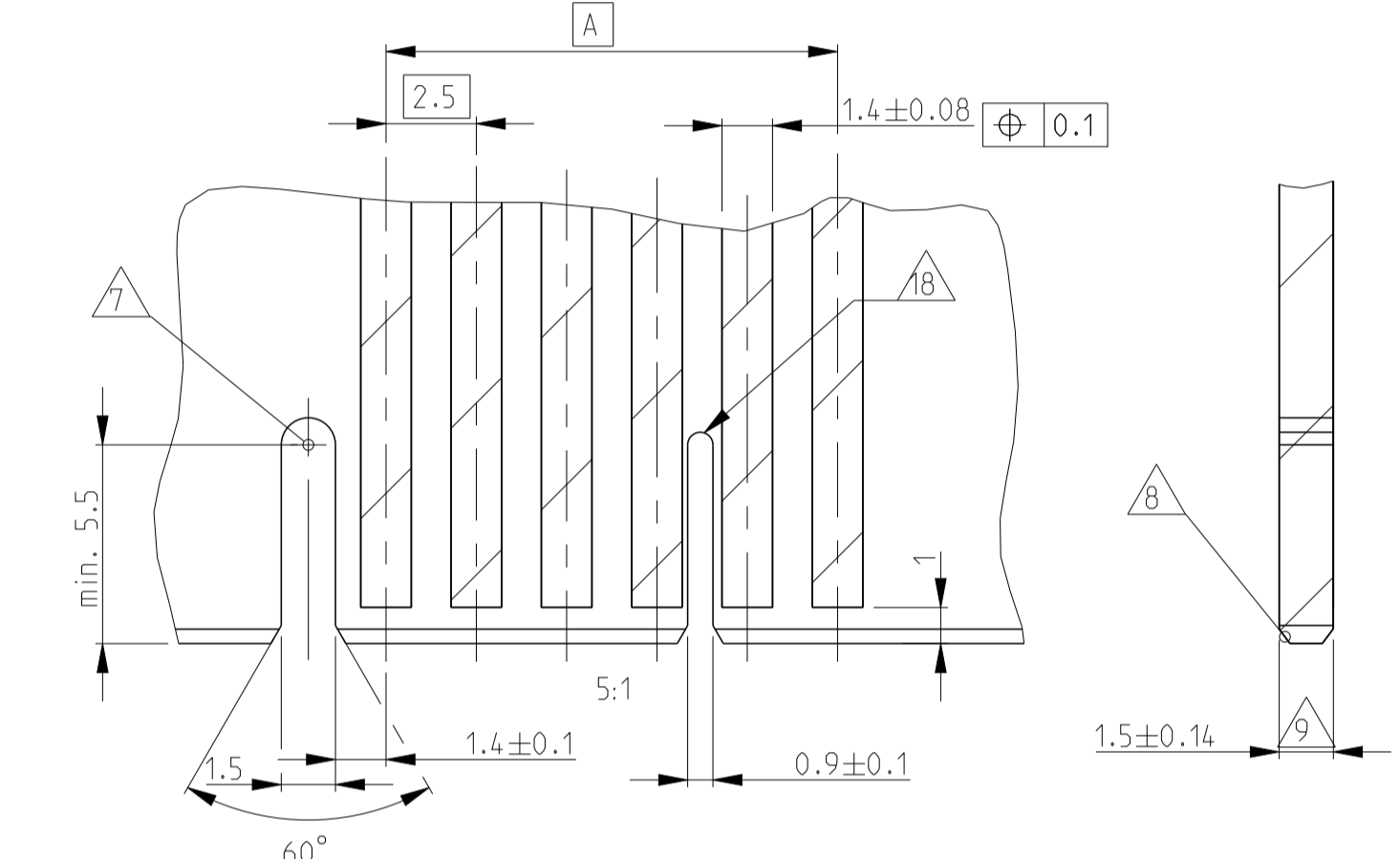


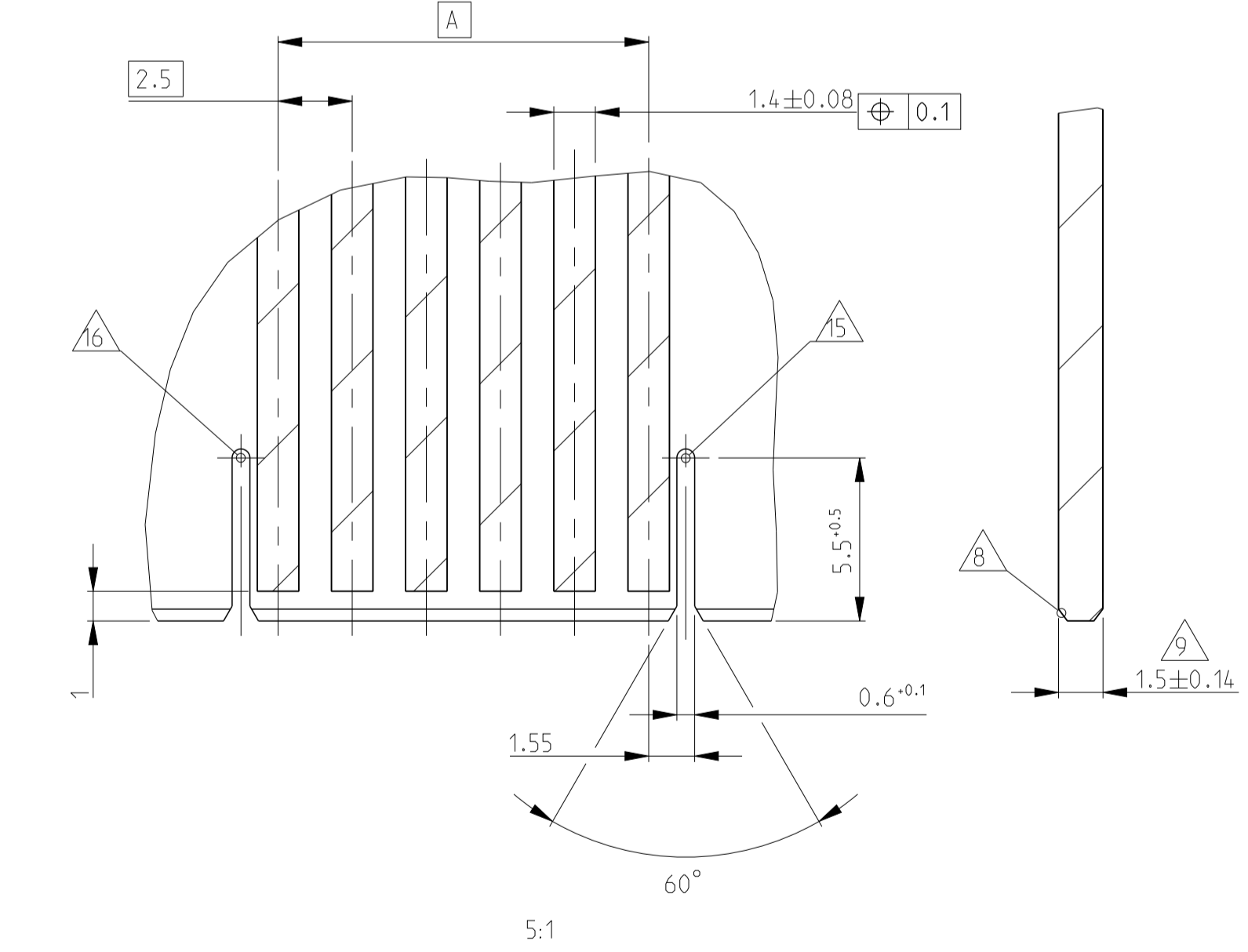
LOC	DIST	REVISIONS					
A1	-	P	LTM	DESCRIPTION	DATE	DWN	APVD
		D73		ECR-24-208820	20MAY2024	SP	FL
		D74		ECR-24-210631	04JUN2024	SP	FL
		D75		ECR-24-212370	25JUN2024	SP	FL
		D76		ECR-24-220161	10SEP2024	TL	FL



PCB LAYOUT KEYED / CONNECTED ONLY WITH ADDITIONAL FRAME (THICK KEYING)  
Leiterplattenanschluss kodiert / nur in Verbindung mit zusätzlichem Rahmen



PCB LAYOUT KEYED / CONNECTED ONLY WITH ADDITIONAL FRAME (SLIM KEYING)  
Leiterplattenanschluss kodiert / nur in Verbindung mit zusätzlichem Rahmen



- △29 CAVITY ID STARTS WITH LETTER FOR PARTS PRODUCTION IN QINGDAO PLANT, SUCH AS "A1.1"
- △28 STRIPE IN YELLOW COLOR WHERE SHOWN PRESENT ON THE PARTS PRODUCED IN TE COLLEGO ONLY
- △27 DIMENSION AVAILABE FOR PART X-2304525-X, X-2304526-X.
- △26 WITH SPECIAL CHAIN FEATURE
- △25 SIDE KEYING ON LAST CAVITY THICKNESS=1.5mm
- △24 SIDE KEYING ON CAVITY 1 THICKNESS=1.5mm
- △19 COLOR STRIP ON COVER OF HOUSING. NOT THE COLOR OF HOUSING.
- △18 SLOT, THICK, BETWEEN CAVITIES
- △17 KEYING, THICK, BETWEEN POSITION. THICKNESS 0.7mm
- △16 SLOT, SLIM, FOR SIDE KEYING, LAST CAVITY
- △15 SLOT, SLIM, FOR SIDE KEYING, SIDE CAVITY 1
- △14 SIDE KEYING, SLIM, ON LAST CAVITY. THICKNESS 0.45mm
- △13 SIDE KEYING, SLIM, ON CAVITY 1. THICKNESS 0.45mm
- △12 KEYING SLIM BETWEEN POSITIONS. THICKNESS 0.45mm
- △11 PRELIMINARY PART NOT RELEASED FOR PRODUCTION
- △10 TE LOGO
- △9 INCLUSIVE COPPER LOADING
- △8 PCB PREFERABLY CHAMFERED
- △7 SLOT, THICK, FOR SIDE KEYING
- △6 SIDE KEYING, THICK, ON LAST CAVITY. THICKNESS 0.7mm
- 5 WIRE RANG: 0.22-0.35mm<sup>2</sup> SEE APPLICATION SPEC. 114-18467
- △4 IEC60695-2-11 / IEC60335-1 GLOW WIRE TEST 750 °C W WITHOUT FLAME
- △3 X..CAVITY LOADED WITH CONTACT  
O..CAVITY WITHOUT CONTACT
- 2 MATING PART: PCB (WITH FRAMES ACC. RAST 2.5 E.G. PN 964 575/576  
TAB HEADER (FOR EXAMPLE: X-1971921/922-Y)
- △1 KEYING RIBS: CUTTING WITH TERMINATION MACHINE POSSIBLE

OTHER NOTE SEE SHEET 3 OF 3.

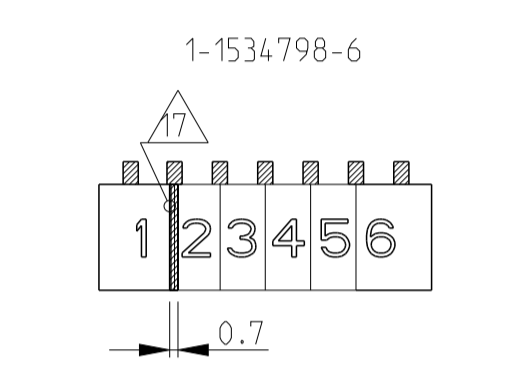
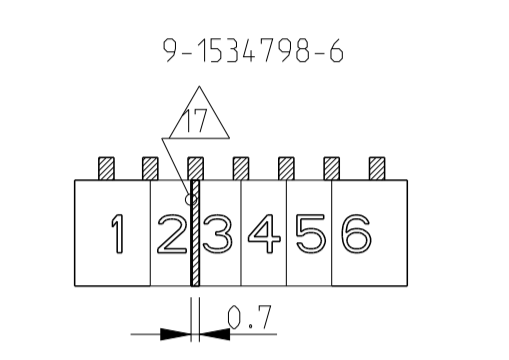
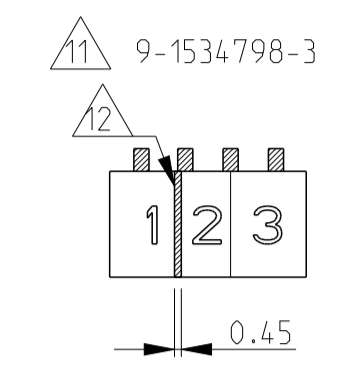
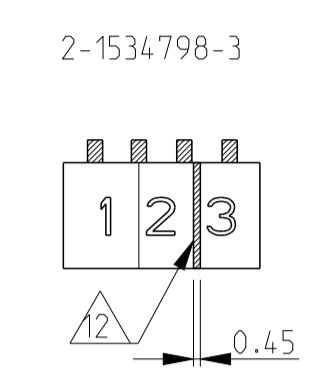
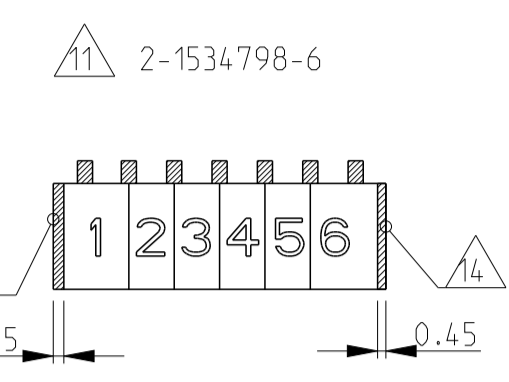
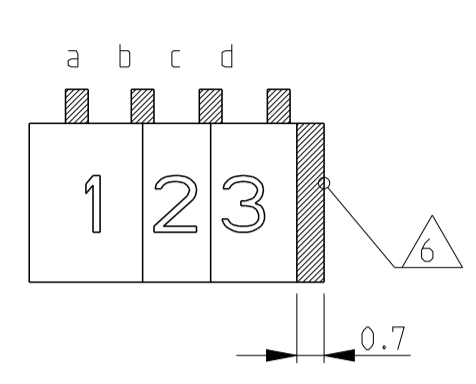
THIS DRAWING IS A CONTROLLED DOCUMENT.		DWN: H. Karabiyik 24MAY2002	TE Connectivity
DIMENSIONS: mm		CHK: B. Schnaubelt 24MAY2002	
TOLERANCES UNLESS OTHERWISE SPECIFIED:		APVD: T. Klenner 24MAY2002	NAME: AMP DUOPLUG 2.5 MARK II FEMALE CONNECTOR 3-20 POSITION SELECTIVE LOADED
0 PLC ±0.2 1 PLC ±0.2 2 PLC ±0.2 3 PLC ±0.2 4 PLC ±0.2 ANGLES ±°		PRODUCT SPEC: 108-18785 APPLICATION SPEC: 114-18467 WEIGHT: -	
MATERIAL: -		FINISH: -	SIZE: A1 CAGE CODE: 00779 DRAWING NO: C=1534798 RESTRICTED TO: -
Customer Drawing		SCALE: 10:1	SHEET: 1 OF 4

LOC	DIST	REV	DATE	BY	CHK	APVD
A1	-	1	-	-	-	-

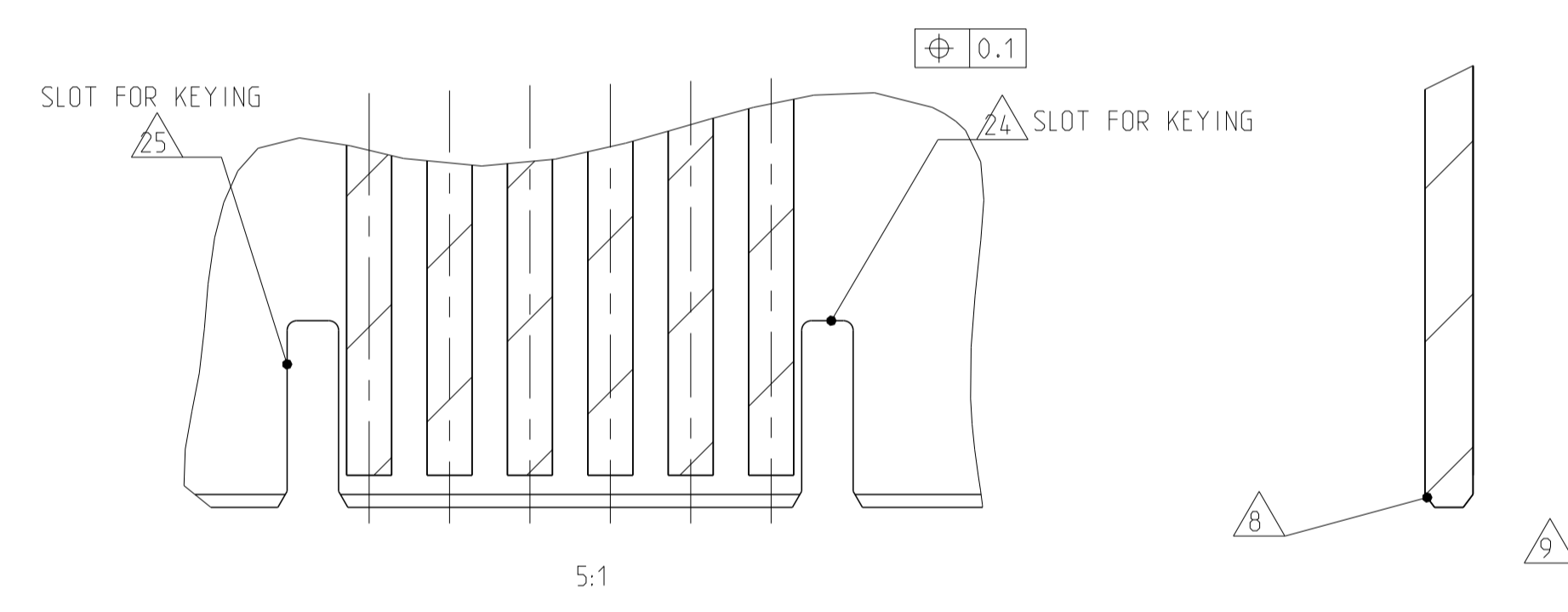
**KEYING PLAN**

Kodierschema

4-1534798-3



**PCB LAYOUT KEYED / CONNECTED ONLY WITH ADDITIONAL FRAME (KEYING THICKNESS-1.5mm)**



**GWEPT 750°C NO FLAME & UL94-V2, TIN PLATED VERSION, 3P-9P**

Color	9	8	7	6	5	4	3	2	1	POS. Polzahl	DIM A	DIM B	25	24	17	12	14	13	6	PN Bestell-Nr.
Blue	X	0	X	0	0	X	X	X	X	9	20	24.9								7-1534798-9
Black	X	0	X	X	X	X	X	X	0											6-1534798-9
Black	X	0	X	X	0	X	X	0	X											5-1534798-9
Black	X	0	X	X	0	X	0	X	X											4-1534798-9
Black	X	0	X	0	X	0	X	0	X											3-1534798-9
Black	X	0	X	0	X	X	X	X	X	8	17.5	22.4								9-1534798-8
Black	X	0	X	0	X	X	X	0	X											8-1534798-8
Black	X	0	X	X	X	X	X	X	X											7-1534798-8
Black	X	X	X	X	X	X	0	X	X											6-1534798-8
Black	X	X	X	X	0	X	0	X	X											5-1534798-8
Black	X	X	0	0	0	X	X	X	X											4-1534798-8
Black	X	X	X	0	0	0	X	X	X											3-1534798-8
Black	X	X	0	X	0	X	X	X	X											2-1534798-8
Black			X	0	X	0	X	0	X	7	15	19.9						2/3		7-1534798-7
Black			X	0	X	0	X	0	X											6-1534798-7
Black			X	0	X	0	0	0	X											5-1534798-7
Black			X	0	X	X	X	X	X											4-1534798-7
Black			X	0	X	0	X	0	X											3-1534798-7
Orange			X	X	0	0	X	0	X											1534798-7
Orange			X	0	X	X	0	X	X											2-1534798-6
Black			X	0	X	X	0	X	X										1/2	1-1534798-6
Red			X	0	X	X	0	X	X										2/3	9-1534798-6
Red			X	0	X	0	X	X	X											8-1534798-6
Red			X	X	X	0	X	X	X											7-1534798-6
Red			0	X	X	X	0	X	X	6	12.5	17.4								6-1534798-6
Red			X	0	X	X	0	X	X											5-1534798-6
Red			X	0	X	X	0	X	X											2314657-6
Red			X	0	X	X	0	X	X											1-2314657-6
Red			0	0	0	X	0	X	X											4-1534798-6
Red			X	X	0	X	0	X	X											3-1534798-6
Brown			X	X	0	X	X	X	X											9-1534798-5
Brown			X	0	X	0	X	X	X											8-1534798-5
Brown			X	0	X	0	0	0	0											7-1534798-5
Black			X	0	X	0	X	X	X	5	10	14.9								6-1534798-5
Black			X	X	X	0	X	X	X											5-1534798-5
Black			X	0	0	0	0	X	X											4-1534798-5
Black			X	0	X	0	X	X	X											3-1534798-5
Black			X	0	X	X	X	X	X											2-1534798-5
Black			X	X	0	X	X	X	X	4	7.5	12.4								3-1534798-4
Orange			X	0	X	X	X	X	X											2534798-3
Orange			X	0	X	X	X	X	X											1-1534798-3
Orange			X	0	X	X	X	X	X										2/3	1534798-3
Orange			X	0	X	X	X	X	X											9-1534798-3
Red			X	0	X	X	X	X	X											2-1534798-3
Green			X	0	X	X	X	X	X	3	5	9.9								8-1534798-3
Blue			X	0	X	X	X	X	X											7-1534798-3
Blue			0	X	X	X	X	X	X											6-1534798-3
Blue			0	X	X	X	X	X	X											5-1534798-3
Violet			X	0	X	X	X	X	X											4-1534798-3
Violet			X	0	X	X	X	X	X											3-1534798-3

2	SEE TABLE	CONTACT/Kontakt	CuSn	TINNED/verzinkt
1	siehe Tabelle	HOUSING/Federleistengeh.	HIGH TEMP PLASTIC	NATUR/Natur
POS.	PN Bestell-Nr.	DESCRIPTION Beschreibung	MATERIAL	COLOUR/FINISH Farbe/Oberflaeche

THIS DRAWING IS A CONTROLLED DOCUMENT.

DIMENSIONS: mm

TOLERANCES UNLESS OTHERWISE SPECIFIED:

0 PLC	±0.2
1 PLC	±0.2
2 PLC	±0.2
3 PLC	±0.2
4 PLC	±0.2
ANGLES	±0.1°
FINISH	±0.1

MATERIAL: -

FINISH: -

Customer Drawing

SCALE: 10:1

SHEET: 2 OF 4

REV: U76

DATE: 24MAY2002

CHK: B. Schnaubelt

APVD: T. Klenner

NAME: AMP DUOPLUG 2.5 MARK II FEMALE CONNECTOR 3-20 POSITION SELECTIVE LOADED

SIZE: A1

CAGE CODE: 00779

DRAWING NO: 1534798

RESTRICTED TO: -

LOC	DIST	REVISIONS				
		P	LTN	DATE	OWN	APVD
A1	-					

GWEPT 750°C NO FLAME & UL94-V2, TIN PLATED VERSION, 10P-19P																																
																				19	45	49.9					17/18	-	-	-	2-1534799-9	
																					19	45	49.9					-	-	-	-	1-1534799-9
																					17	40	44.9					8/9				1534799-7
																					15	35	39.9					-	-	-	-	1-1534799-5
																					13	30	34.9					-	-	-	-	4-1534799-3/11
																					13	30	34.9					-	-	-	-	3-1534799-3
																					12	27.5	32.4					8/9				1-1534799-2
																					12	27.5	32.4					8/9				2-1534799-2
Black																					11	25	29.9					-	-	-	-	5-1534799-1
																					11	25	29.9					-	-	-	-	4-1534799-1
																					11	25	29.9					-	-	-	-	3-1534799-1
																					11	25	29.9					-	-	-	-	2-1534799-1
																					10	22.5	27.4					-	-	-	-	5-1534798-0
																					10	22.5	27.4					-	-	-	-	4-1534798-0/11
																					10	22.5	27.4					-	-	-	-	3-1534798-0
																					10	22.5	27.4					-	-	-	-	2-1534798-0
	20	19	18	17	16	15	14	13	12	11	10	9	8	7	6	5	4	3	2	1	POS. Polzahl	DIM A	DIM B	KEYING	KEYING	KEYING	KEYING	KEYING	KEYING	KEYING	KEYING	PN Bestell-Nr.

OBSOLETE

2	SEE TABLE	CONTACT/Kontakt	CuSn	TINNED/verzinkt
1	siehe Tabelle	HOUSING/Federleistengeh.	HIGH TEMP PLASTIC	NATUR/Natur
POS.	PN Bestell-Nr.	DESCRIPTION Beschreibung	MATERIAL	COLOUR/FINISH Farbe/Oberflaeche

GWEPT 750°C NO FLAME & UL94-V2, TIN PLATED VERSION																																
BLUE																					13	30	34.9					2/3				5-1534799-3
																					11	25	29.9					9/10				6-1534799-1
BLUE																					10	22.5	27.4					-	-	-	-	6-1534798-0
																					7	15	19.9					-	-	-	-	
GREEN																					7	15	19.9					-	-	-	-	8-1534798-7
																					6	12.5	17.4					-	-	-	-	
RED																					6	12.5	17.4					2/3				2-2314657-6
	20	19	18	17	16	15	14	13	12	11	10	9	8	7	6	5	4	3	2	1	POS. Polzahl	DIM A	DIM B	KEYING	KEYING	KEYING	KEYING	KEYING	KEYING	KEYING	KEYING	PN Bestell-Nr.

2	SEE TABLE	CONTACT/Kontakt	CuSn	TINNED/verzinkt
1	siehe Tabelle	HOUSING/Federleistengeh.	HIGH TEMP PLASTIC	NATUR/Natur
POS.	PN Bestell-Nr.	DESCRIPTION Beschreibung	MATERIAL	COLOUR/FINISH Farbe/Oberflaeche

THIS DRAWING IS A CONTROLLED DOCUMENT. **STC** TE Connectivity

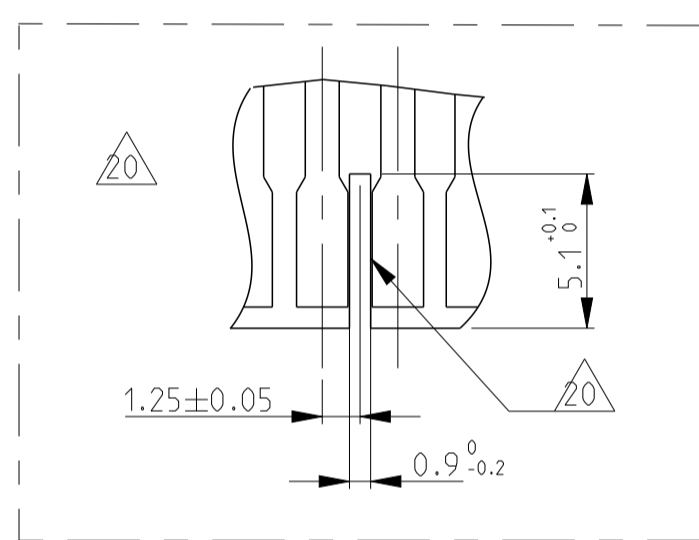
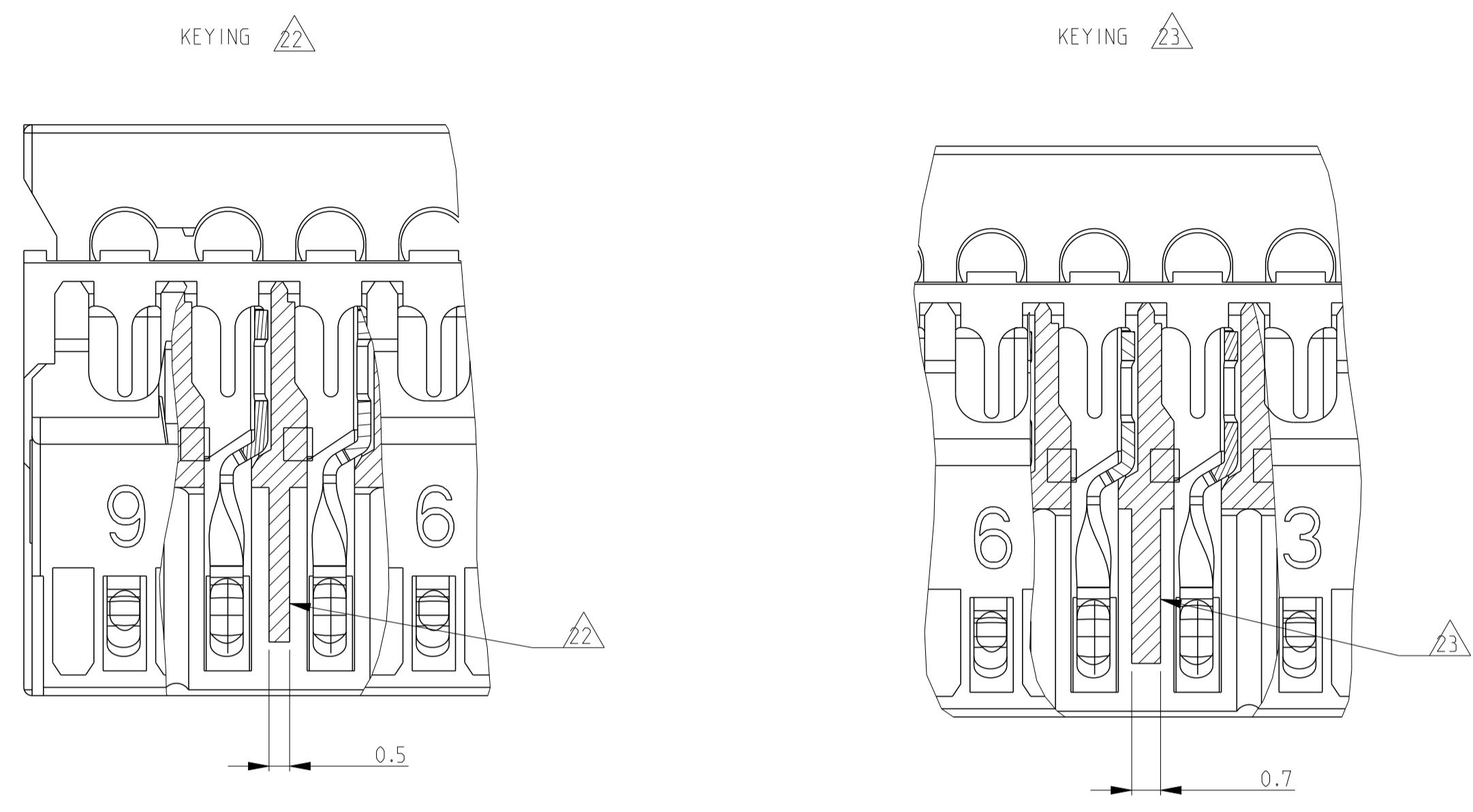
DIMENSIONS: mm	TOLERANCES UNLESS OTHERWISE SPECIFIED:	OWN: H. Karabiyik 24MAY2002	CHK: B. Schnaubelt 24MAY2002	APVD: T. Klenner 24MAY2002
0 PLC ±0.2	1 PLC ±0.2	2 PLC ±0.2	3 PLC ±0.2	4 PLC ±0.2
ANGLES	FINISH	116-18467	WEIGHT	Customer Drawing

NAME: AMP DUOPLUG 2.5 MARK II FEMALE CONNECTOR 3-20 POSITION SELECTIVE LOADED

SIZE: A1 CAGE CODE: 00779 DRAWING NO: 1534798 RESTRICTED TO: 076

SCALE: 10:1 SHEET: 3 OF 4

REVISONS		DATE	OWN	APVD
P	LTN	DESCRIPTION		
		SEE SHEET 1		



- 23 KEYING, SPECIAL THICK. BETWEEN POSITION. THICKNESS 0.7mm
- 22 KEYING, SPECIAL THIN. BETWEEN POSITION. THICKNESS 0.5mm
- 21 SLOT FOR KEYING SPECIAL. BETWEEN POSITION
- 20 RECOMMENDED PCB CUTOFF DIMENSION FOR THE PN X-2304527-Y AND X-2304528-Y

GWEPT 750°C NO FLAME & UL94-VO, SILVER PLATED VERSION																												
Blue															X	0	X	3	5	9.9							5-2369989-3	4-2369989-3
Color Code	20	19	18	17	16	15	14	13	12	11	10	9	8	7	6	5	4	3	2	1	POS. Polzahl	DIM A	DIM B	KEYING	KEYING	KEYING	KEYING	PN Bestell-Nr.
KAMMERBESTUECKUNG (CAVITIES LOADED)															CONTACT/Kontakt										CuSn		SILVERED	
SEE TABLE siehe Tabelle															HOUSING/Federleistengeh.		HIGH TEMP PLASTIC		NATUR/Natur									
POS. PN Bestell-Nr.															DESCRIPTION Beschreibung		MATERIAL		COLOUR/FINISH Farbe/Oberflaeche									

PA GF, GWEPT 750°C NO FLAME & UL94-VO, TIN PLATED VERSION																																						
Blue															X	0	X	0	X	0	X	0	X	0	X	0	X	13	30	34.9							1-2304528-3	2304528-3
															X	0	X	0	X	0	X	0	X	0	X	0	X	12	27.5	32.4							2304528-2	2304528-1
Orange															X	0	X	0	X	0	X	0	X	0	X	0	X	11	25	29.9							3-2304528-1	2-2304528-1
Green															X	0	X	0	X	0	X	0	X	0	X	0	X										1-2304528-1	2304528-1
															X	0	X	0	X	0	X	0	X	0	X	0	X	10	22.5	27.4							2-2304528-0	1-2304528-0
GREEN															X	0	X	0	X	0	X	0	X	0	X	0	X	9	20	24.9							4-2304527-9	3-2304527-9
															X	0	X	0	X	0	X	0	X	0	X	0	X										2-2304527-9	1-2304527-9
Black															X	0	X	0	X	0	X	0	X	0	X	0	X										2304527-9	2304527-9
Blue															X	0	X	0	X	0	X	0	X	0	X	0	X	7	15	19.9							6-2304527-7	4-2304527-7
Green															X	0	X	0	X	0	X	0	X	0	X	0	X										3-2304527-7	2-2304527-7
Black															X	0	X	0	X	0	X	0	X	0	X	0	X										1-2304527-7	2304527-7
Green															X	0	X	0	X	0	X	0	X	0	X	0	X	6	12.5	17.4							7-2304527-6	6-2304527-6
Red															X	0	X	0	X	0	X	0	X	0	X	0	X										5-2304527-6	4-2304527-6
Black															X	0	X	0	X	0	X	0	X	0	X	0	X										3-2304527-6	2-2304527-6
Green															X	0	X	0	X	0	X	0	X	0	X	0	X										1-2304527-6	2304527-6
Blue															X	0	X	0	X	0	X	0	X	0	X	0	X	5	10	14.9							7-2304527-5	6-2304527-5
Red															X	0	X	0	X	0	X	0	X	0	X	0	X										4-2304527-5	3-2304527-5
Green															X	0	X	0	X	0	X	0	X	0	X	0	X										2-2304527-5	1-2304527-5
Black															X	0	X	0	X	0	X	0	X	0	X	0	X	4	7.5	12.4							2304527-5	2304527-4
Green															X	0	X	0	X	0	X	0	X	0	X	0	X	3	5	9.9							9-2304527-3	8-2304527-3
Red															X	0	X	0	X	0	X	0	X	0	X	0	X										7-2304527-3	6-2304527-3
Red															X	0	X	0	X	0	X	0	X	0	X	0	X										5-2304527-3	4-2304527-3
Blue															X	0	X	0	X	0	X	0	X	0	X	0	X										3-2304527-3	2-2304527-3
Black															X	0	X	0	X	0	X	0	X	0	X	0	X										1-2304527-3	2304527-3
Red															X	0	X	0	X	0	X	0	X	0	X	0	X										2-2304527-3	1-2304527-3
Brown															X	0	X	0	X	0	X	0	X	0	X	0	X										2304527-3	2304527-3
Orange															X	0	X	0	X	0	X	0	X	0	X	0	X											
Color Code	20	19	18	17	16	15	14	13	12	11	10	9	8	7	6	5	4	3	2	1	POS. Polzahl	DIM A	DIM B	KEYING	KEYING	KEYING	KEYING	PN Bestell-Nr.										
KAMMERBESTUECKUNG (CAVITIES LOADED)															CONTACT/Kontakt										CuSn		TINNED/verzinkt											
SEE TABLE siehe Tabelle															HOUSING/Federleistengeh.		HIGH TEMP PLASTIC		NATUR/Natur																			
POS. PN Bestell-Nr.															DESCRIPTION Beschreibung		MATERIAL		COLOUR/FINISH Farbe/Oberflaeche																			

THIS DRAWING IS A CONTROLLED DOCUMENT. OWN: H. Karabiyik, 24MAY2002; CHK: B. Schnaubelt, 24MAY2002; APVD: T. Klenner, 24MAY2002.

DIMENSIONS: mm. TOLERANCES UNLESS OTHERWISE SPECIFIED: 0 PLC ±0.2, 1 PLC ±0.2, 2 PLC ±0.2, 3 PLC ±, 4 PLC ±, ANGLES ±°.

MATERIAL: -. FINISH: -. WEIGHT: -. Customer Drawing.

SCALE: 10:1. SHEET: 3 OF 3. REVISION: U76.

STE TE Connectivity. NAME: AMP DUOPLUG 2.5 MARK II FEMALE CONNECTOR 3-20 POSITION SELECTIVE LOADED. SIZE: A1. CAGE CODE: 00779. DRAWING NO: 1534798.