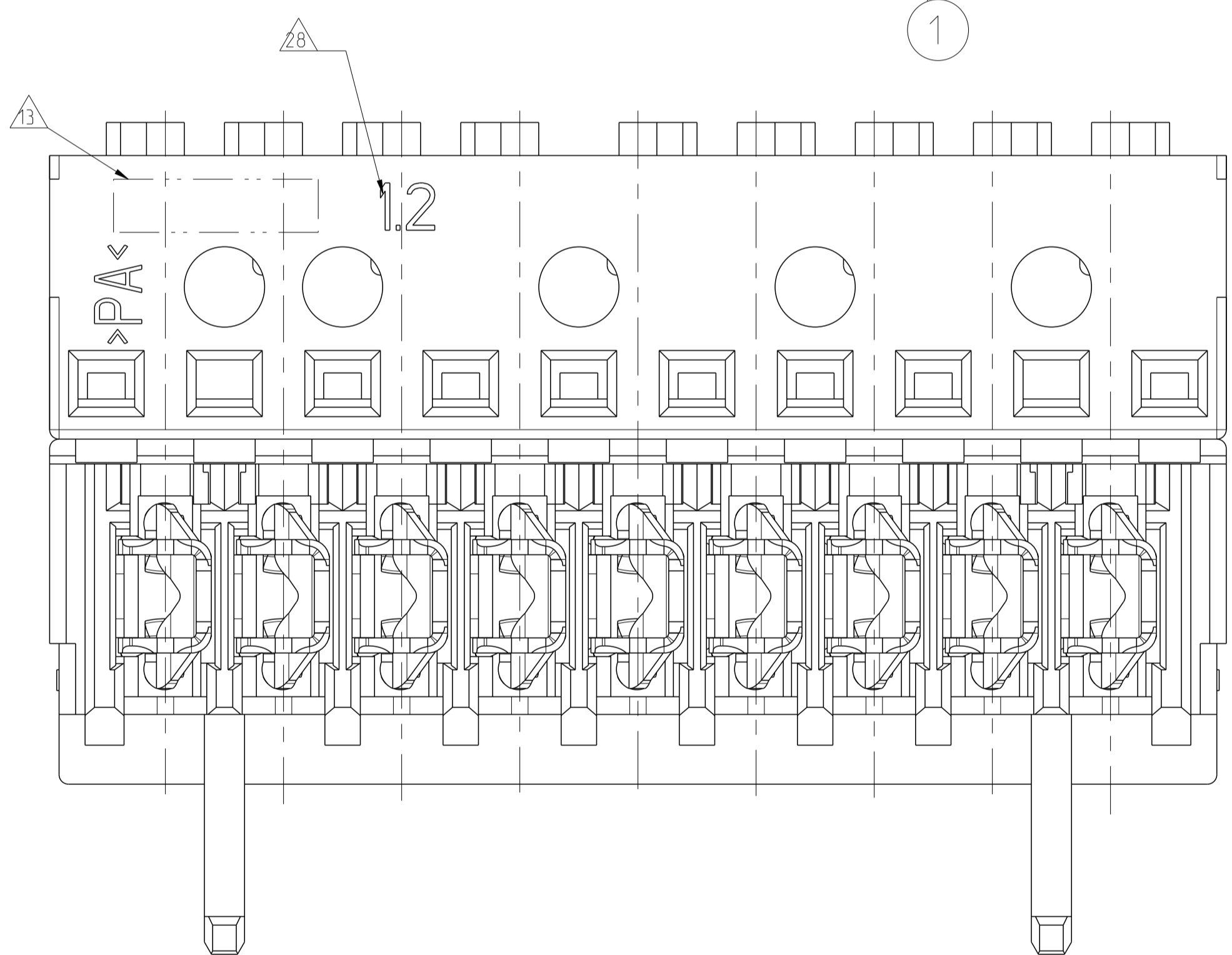
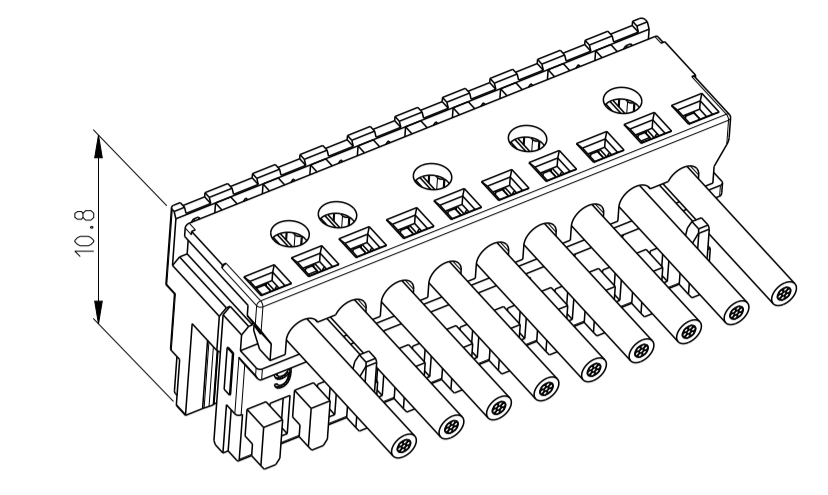
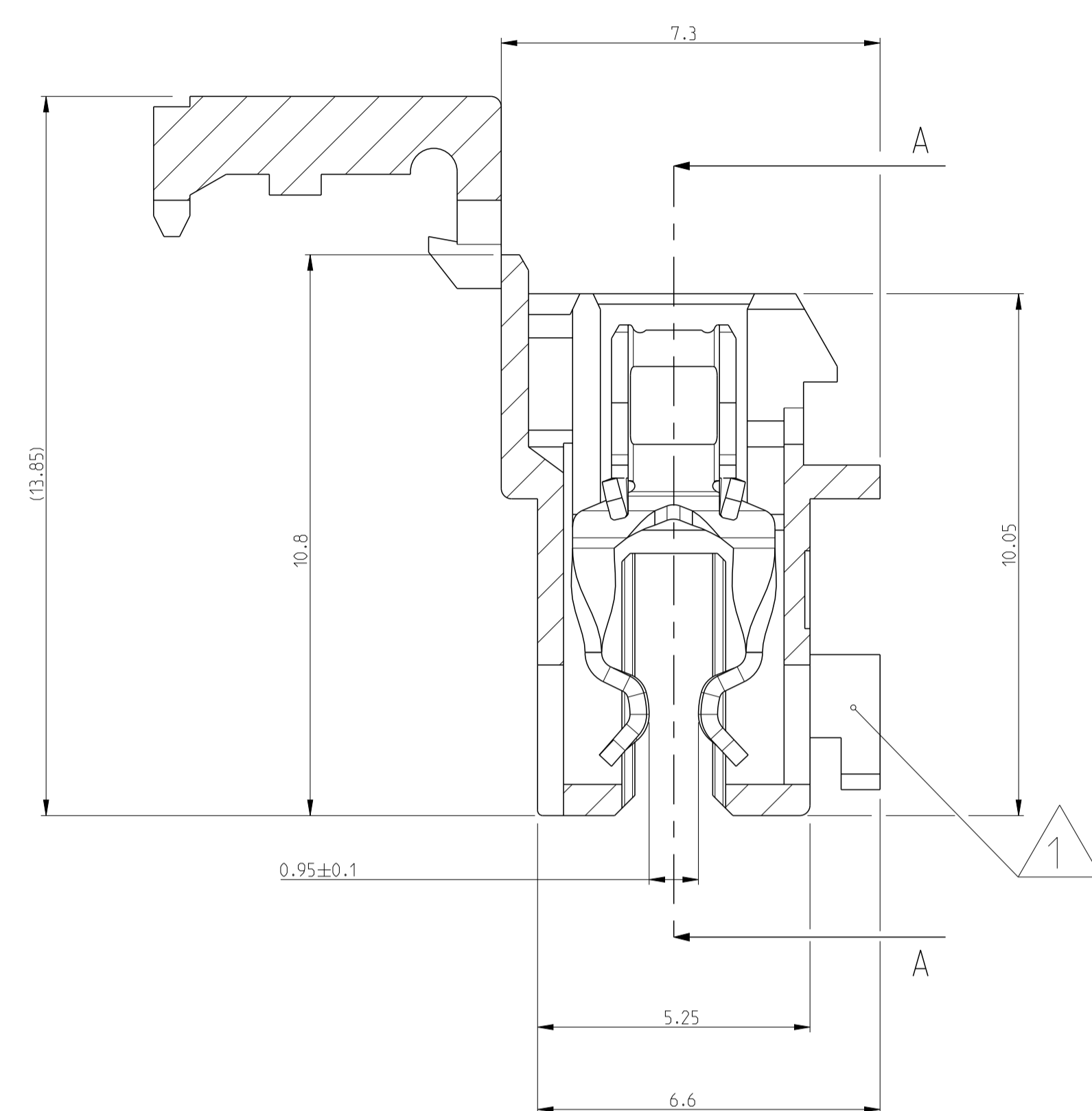
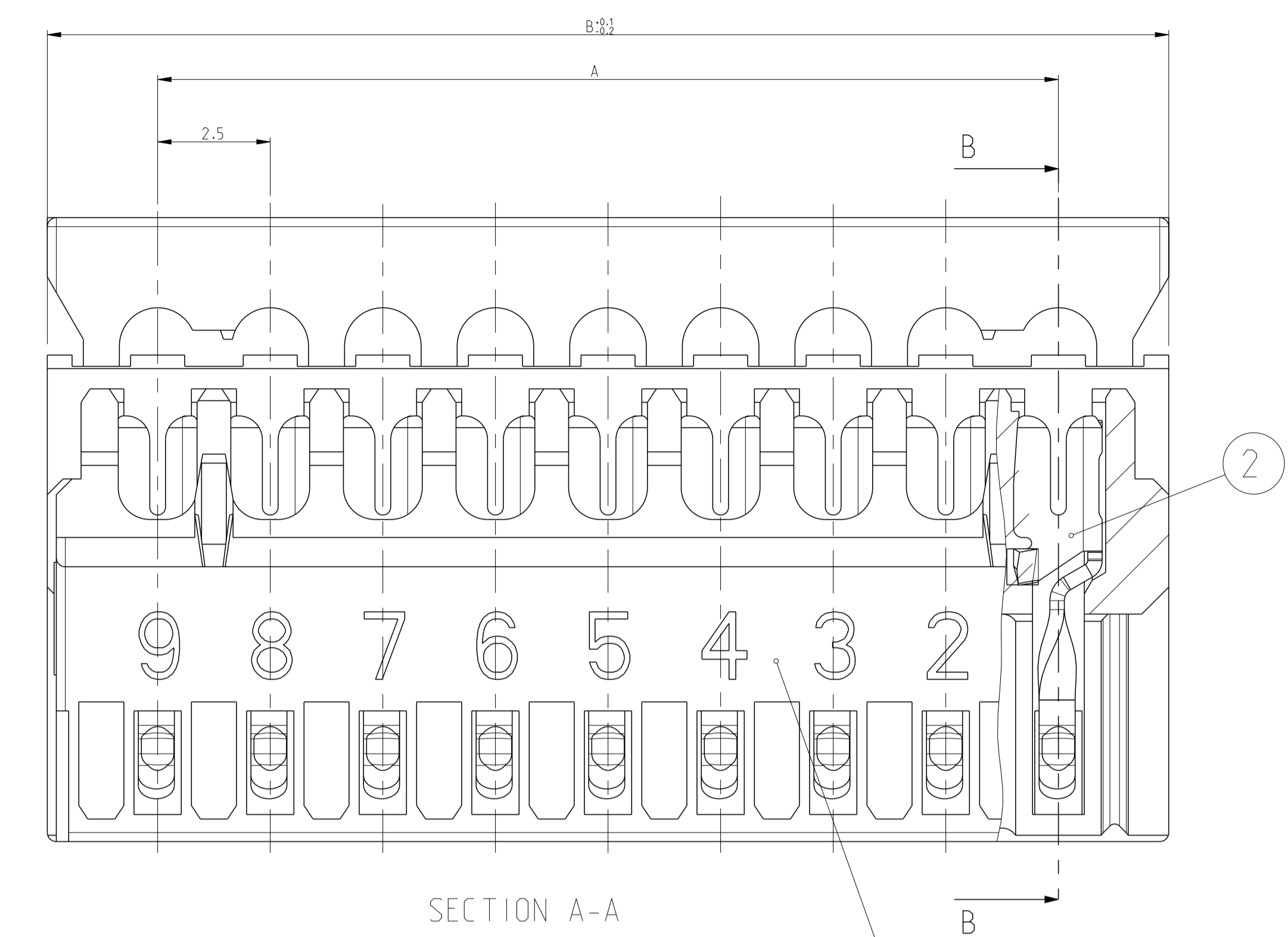
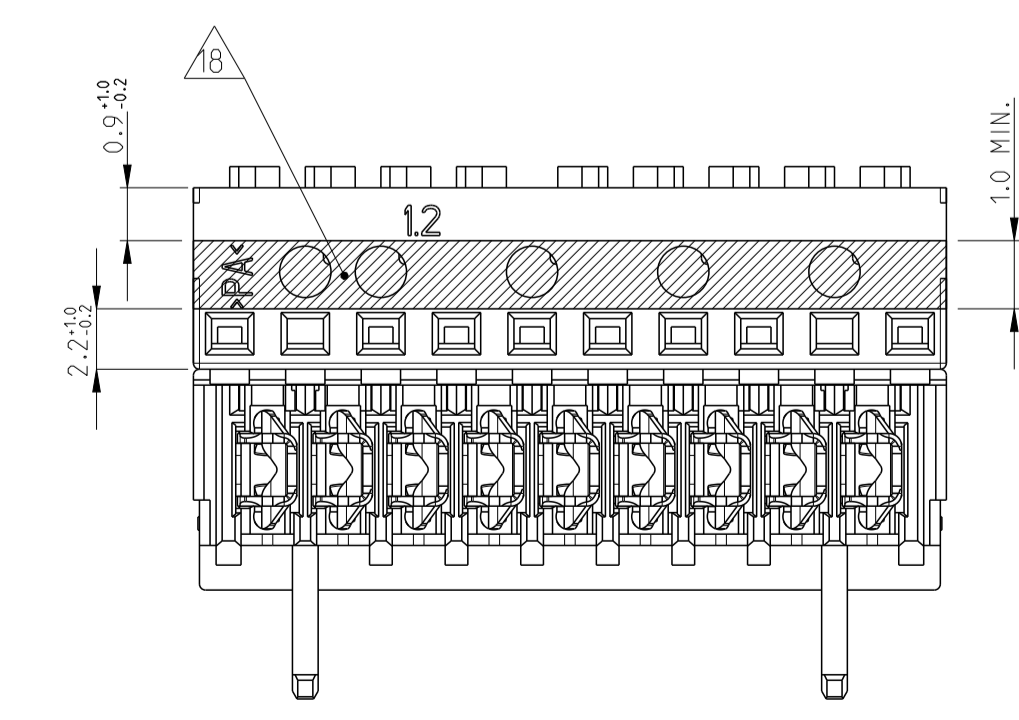
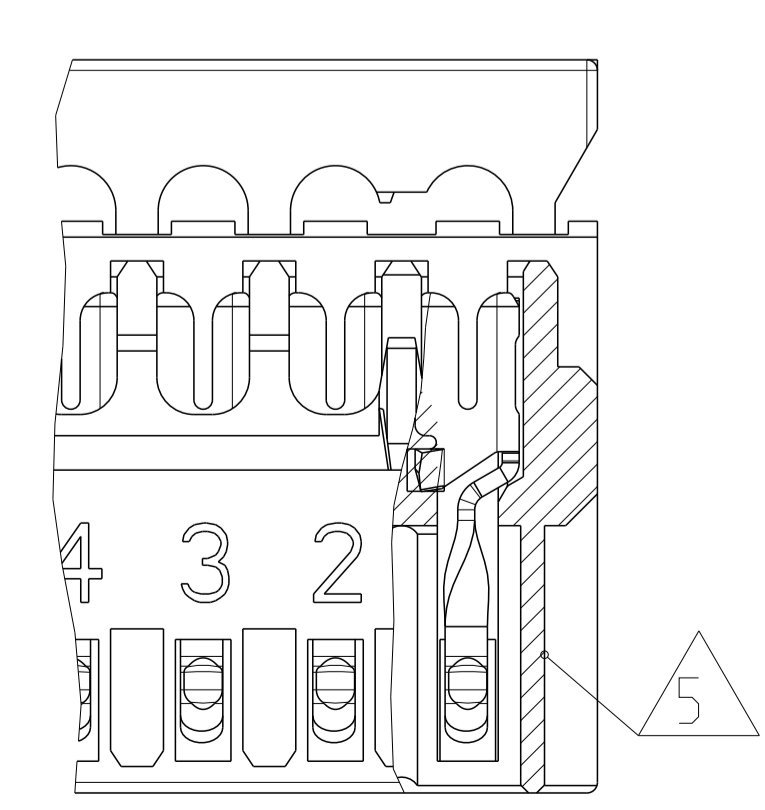
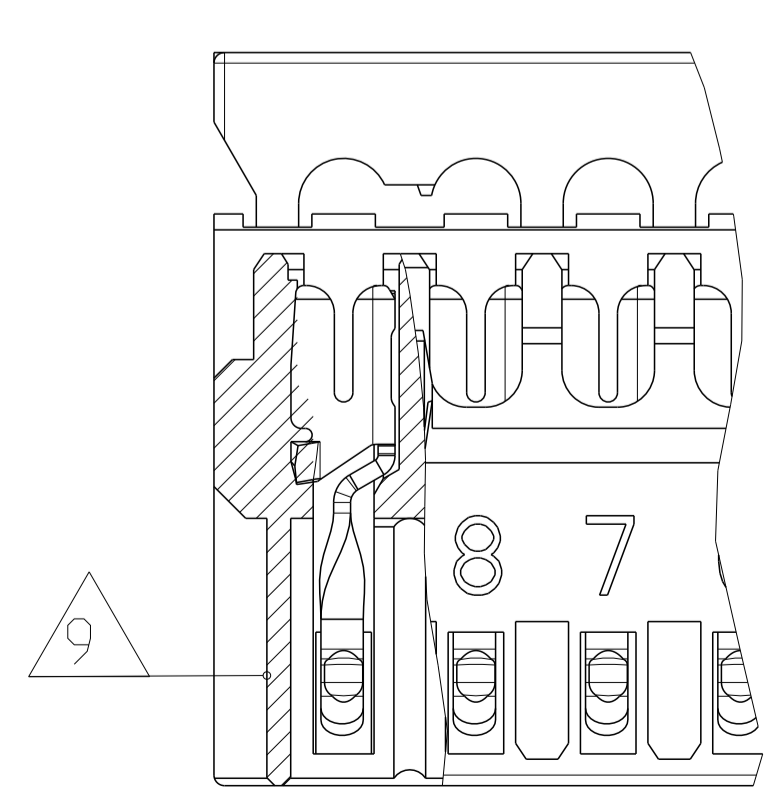
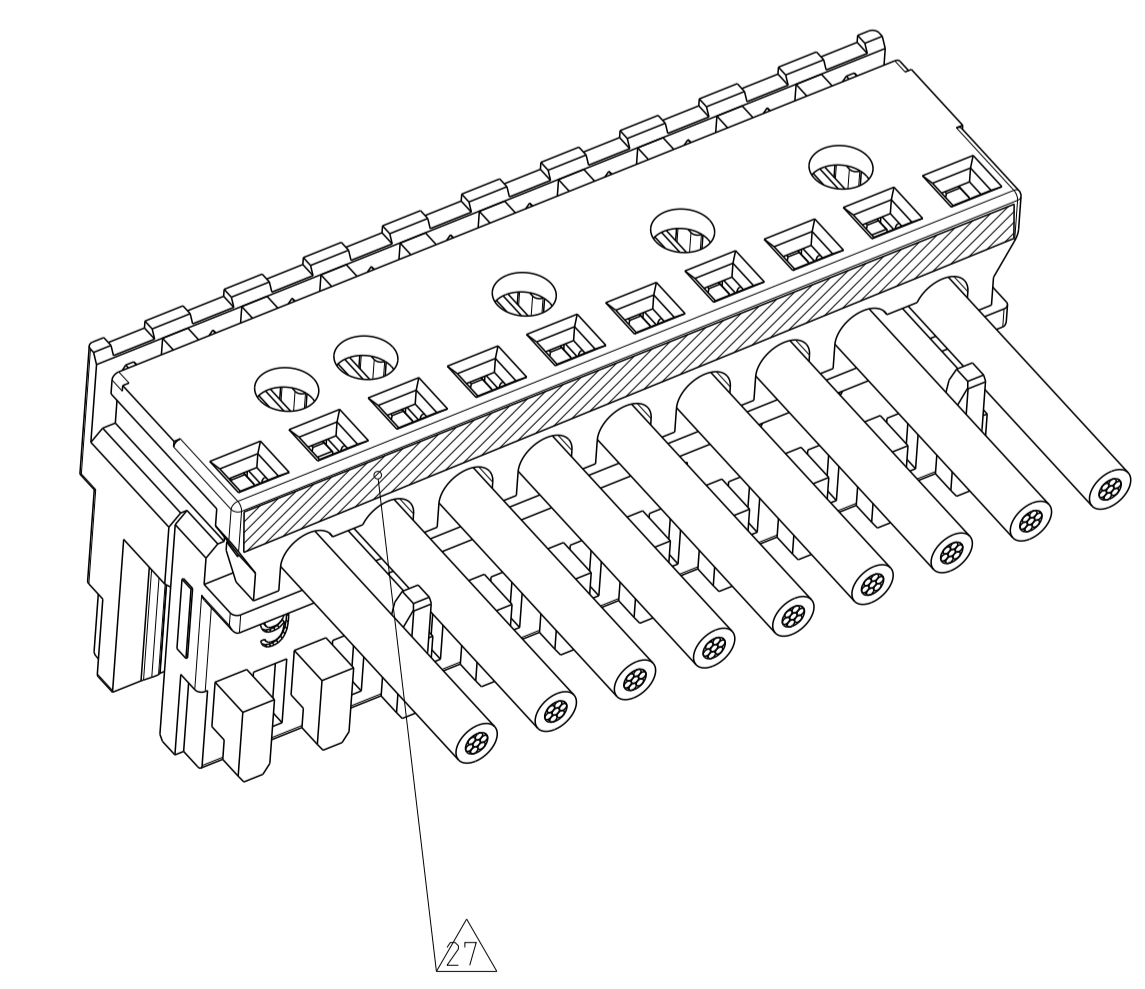


LOC		DIST		REVISIONS			
P	LTN	DESCRIPTION	DATE	DMN	APVD		
DB8	ECR-24-203261		21MAR2024	SP	FL		
DB9	ECR-24-208820		20MAY2024	SP	FL		
D90	ECR-24-215449		12AUG2024	DK	FL		
D91	ECR-24-220161		10SEP2024	TL	FL		



SECTION B-B

- 31 SIDE KEYING ON LAST CAVITY. THICKNESS 0.7mm
- 30 SIDE KEYING ON CAVITY NO.1. THICKNESS 0.7mm
- 29 P/N RELEASED WITH PARTIAL VALIDATION AND CERTIFICATION
- 28 CAVITY ID STARTS WITH LETTER FOR PARTS PRODUCTION IN QINGDAO PLANT. SUCH AS "A1.1"
- 27 STRIPE IN YELLOW COLOR WHERE SHOWN. PRESENT ON THE PARTS PRODUCED IN TE COLLEGNO ONLY
- 26 DIMENSION AVAILABLE ONLY FOR PART X-2304525-X, X-2304526-X.
- 25 WITH SPECIAL CHAIN FEATURE
- 24 SIDE KEYING ON LAST CAVITY. THICK-1.5mm
- 23 -
- 19 SIDE KEYING. THICK. ON CAVITY No.1. THICKNESS 1.5mm
- 18 COLOR STRIP ON COVER OF HOUSING. NOT THE COLOR OF HOUSING.
- 17 SLOT FOR KEYING. SLIM. BETWEEN POSITION
- 16 SLOT FOR KEYING. THICK. BETWEEN POSITION
- 15 KEYING. THICK. BETWEEN POSITION. THICKNESS 0.7mm
- 14 COLOR CODE
- 13 TE LOGO
- 12 PRELIMINARY PART NOT RELEASED FOR PRODUCTION
- 11 KEYING. SLIM. BETWEEN POSITION. THICKNESS 0.45mm
- 10 SLOT FOR SIDE KEYING. ON LAST CAVITY
- 9 SIDE KEYING. SLIM. ON LAST CAVITY. THICKNESS 0.45mm
- 8 INCLUSIVE COPPER LOADING
- 7 PCB PREFERABLY CHAMFERED
- 6 SLOT FOR SIDE KEYING. ON CAVITY NO 1
- 5 SIDE KEYING. ON CAVITY NO. 1. THICKNESS 0.45mm
- 4 WIRE RANGE: 0.22-0.35mm² SEE APPLICATION SPEC. 114-18467
- 3 IEC 60695-2-11 / IEC 60335-1 GLOW WIRE TEST 750 °C WITHOUT FLAME
- 2 MATING PART: PCB (WITH FRAMES ACC. RAST 2.5 E.G. PN 964 575/576) TAB HEADER (FOR EXAMPLE: X-1971817/818-Y)
- 1 KEYING RIBS; CUTTING WITH TERMINATION MACHINE POSSIBLE



THIS DRAWING IS A CONTROLLED DOCUMENT.		DMN H. Karabiyik 24MAY2002	TE Connectivity AMP DUOPLUG 2.5 MARK II FEMALE CONNECTOR 2-20 POSITION	
DIMENSIONS: mm		CHK B. Schnaubelt 24MAY2002		
TOLERANCES UNLESS OTHERWISE SPECIFIED:		APVD T. Klenner 24MAY2002	NAME	
0 PLC ±0.2		PRODUCT SPEC	108-18785	
1 PLC ±0.2		APPLICATION SPEC	114-18467	
2 PLC ±0.2		WEIGHT	A1 00779	
3 PLC ±0.2		SCALE	10:1	
4 PLC ±0.2		SHEET	1 OF 4	
ANGLES ±°		REVISION	D91	
FINISH		Customer Drawing		

LOC	DIST	REVISIONS			
A1	-	REV	DATE	BY	APPV
		1			
		2			
		3			
		4			
		5			
		6			
		7			
		8			
		9			
		10			
		11			
		12			
		13			
		14			
		15			
		16			
		17			
		18			
		19			
		20			

GWEPT 750°C NO FLAME & UL94-V2. TIN PLATED VERSION (2-9 POSITION)											
COLOR CODE	POS.	DIM A	DIM B	KEYING 11	KEYING 15	KEYING 22	KEYING 21	KEYING 24	KEYING 19	KEYING 31	KEYING 30
	9	20	24.9								
	9	20	24.9								
	9	20	24.9								
	9	20	24.9	X							
ORANGE	8	17.5	22.4								
Brown	8	17.5	22.4								
	8	17.5	22.4	X							
	8	17.5	22.4								
	8	17.5	22.4								
	8	17.5	22.4								
	8	17.5	22.4								
	8	17.5	22.4								
	8	17.5	22.4								
Brown	8	17.5	22.4								
	7	15	19.9								
BLUE	7	15	19.9								
BLUE	7	15	19.9	X							
	7	15	19.9								
	7	15	19.9								
BLACK	6	12.5	17.4								
	6	12.5	17.4								
	6	12.5	17.4								
	6	12.5	17.4								
	6	12.5	17.4								
	6	12.5	17.4								
BLUE	6	12.5	17.4								
	6	12.5	17.4								
	6	12.5	17.4								
	6	12.5	17.4								
ORANGE	5	10	14.9								
BROWN	5	10	14.9								
RED	5	10	14.9								
	5	10	14.9								
	5	10	14.9								
GREEN	5	10	14.9								
BROWN	5	10	14.9								
	5	10	14.9								
	5	10	14.9								
BROWN	5	10	14.9								
	4	7.5	12.4								
GREEN	4	7.5	12.4								
	4	7.5	12.4								
RED	4	7.5	12.4								
BLACK	4	7.5	12.4								
BLACK	4	7.5	12.4	X							
BLACK	4	7.5	12.4								
	4	7.5	12.4								
	4	7.5	12.4	X							
	4	7.5	12.4								
	4	7.5	12.4								
RED	3	5	9.9								
	3	5	9.9								
RED	3	5	9.9								
	3	5	9.9								
	3	5	9.9								
BLACK	3	5	9.9								
	3	5	9.9								
	3	5	9.9								
	2	2.5	7.4								
	2	2.5	7.4								

GWEPT 750°C NO FLAME & UL94-V2. TIN PLATED VERSION											
COLOR CODE	POS.	DIM A	DIM B	KEYING 11	KEYING 15	KEYING 22	KEYING 21	KEYING 24	KEYING 19	KEYING 31	KEYING 30
GREEN	5	10	14.9								
BLACK	4	7.5	12.4								
ORANGE	3	5	9.9							X	X

GWEPT 750°C NO FLAME & UL94-V2. TIN PLATED VERSION (10-20 POSITION)										
COLOR CODE	POS.	DIM A	DIM B	KEYING 30	KEYING 24	KEYING 19	KEYING 15	KEYING 11	KEYING 9	KEYING 5
	20	47.5	52.4							
	20	47.5	52.4							
	19	45	49.9							
	19	45	49.9							
	19	45	49.9							
	18	42.5	47.4	X	X					
	17	40	44.9	X	X					
	17	40	44.9							
	16	37.5	42.4							
	15	35	39.9	X	X					
	15	35	39.9							
	14	32.5	37.4							
	14	32.5	37.4							
	13	30	34.9	X	X					
	13	30	34.9							
	12	27.5	32.4							
	12	27.5	32.4							
	12	27.5	32.4							
	12	27.5	32.4	X	X					
	11	25	29.9							
	11	25	29.9							
	11	25	29.9							
	11	25	29.9							
	11	25	29.9							
	10	22.5	27.4							
	10	22.5	27.4							
	10	22.5	27.4							
	10	22.5	27.4							

THIS DRAWING IS A CONTROLLED DOCUMENT.

DIMENSIONS: mm
 TOLERANCES UNLESS OTHERWISE SPECIFIED:
 0 PLC ±0.2
 1 PLC ±0.2
 2 PLC ±0.2
 3 PLC ±0.2
 4 PLC ±0.2
 ANGLES ±1°
 FINISH -

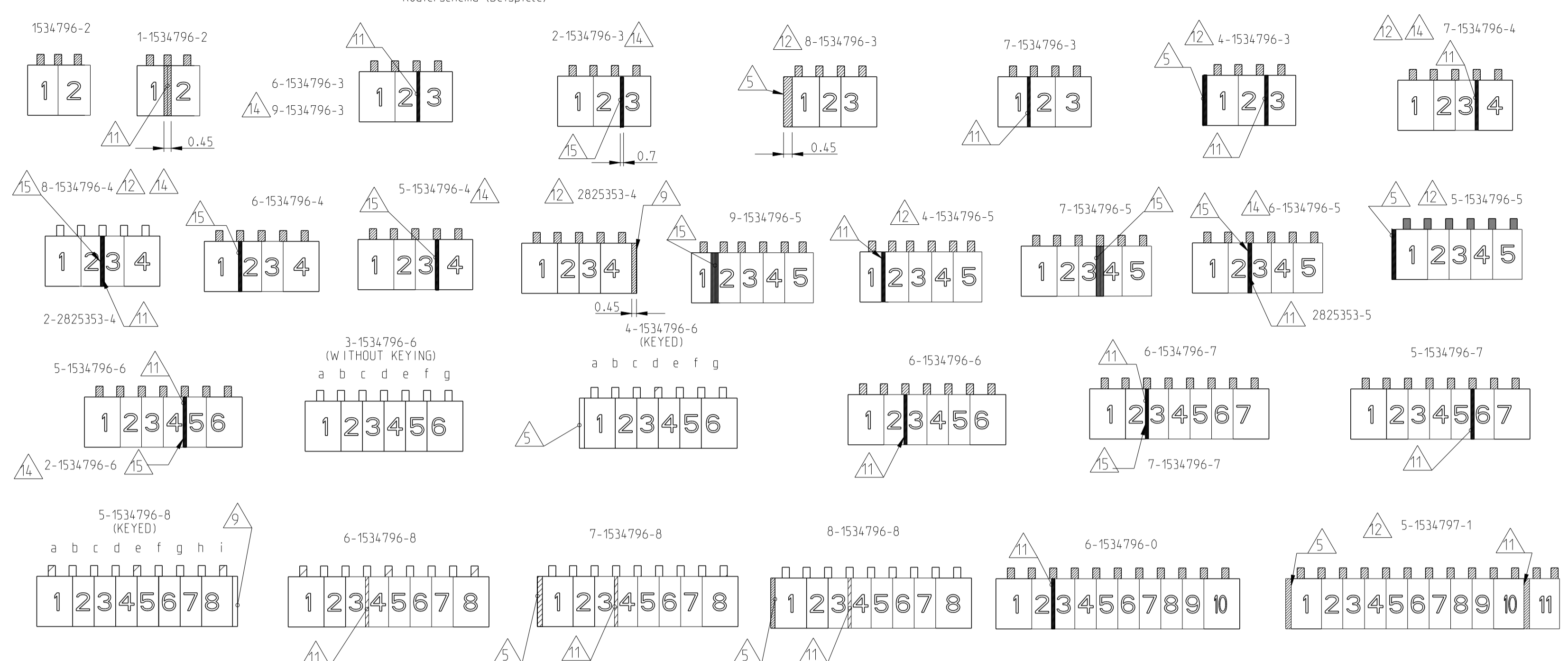
DWN: H. Karabiyik
 CHK: B. Schnaubelt
 APVD: T. Klenner

NAME: AMP DUOPLUG 2.5 MARK II FEMALE CONNECTOR 2-20 POSITION
 PRODUCT SPEC: 108-18785
 APPLICATION SPEC: 114-18667
 WEIGHT: -
 Customer Drawing

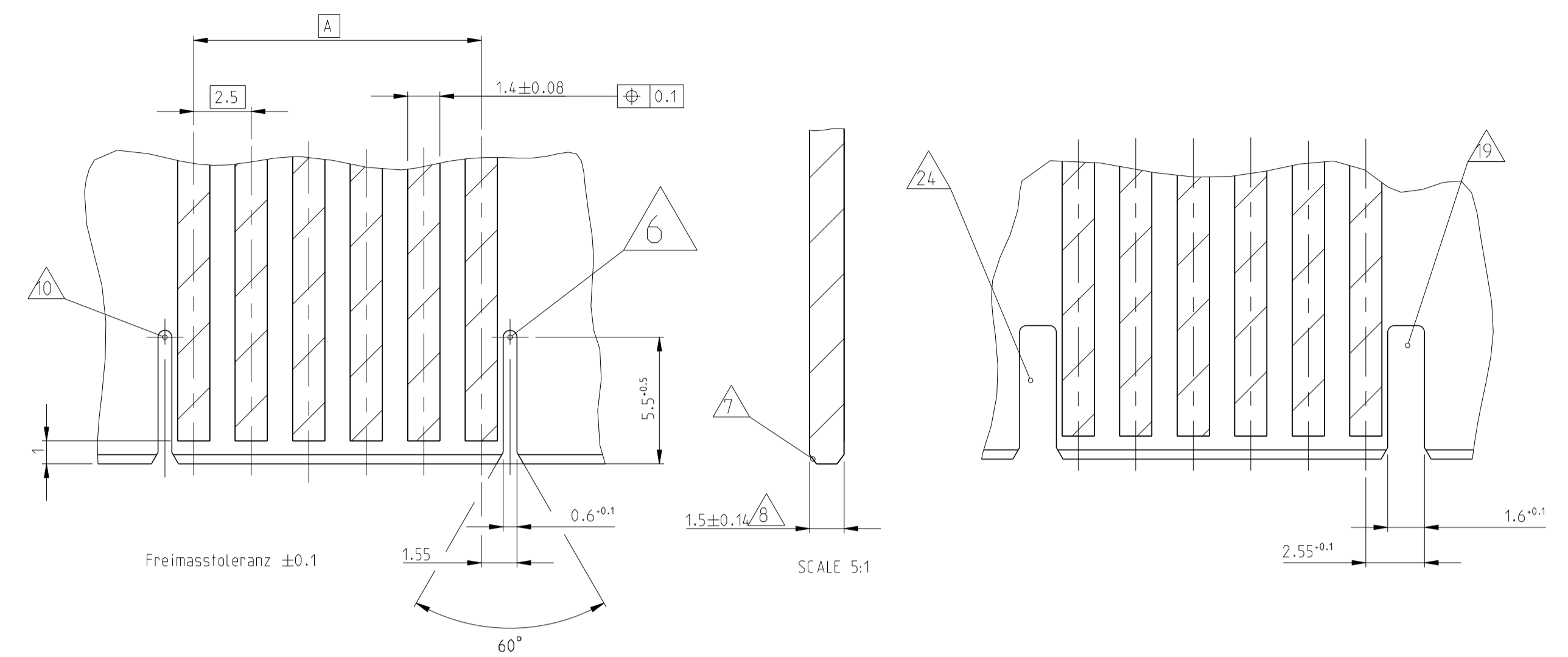
SCALE: 10:1
 SHEET: 2 OF 4
 REVISION: 1

LOC	DIST	REVISIONS					
		P	LTN	DESCRIPTION	DATE	OWN	APVD
A1	-	-	-	SEE SHEET 1	-	-	-

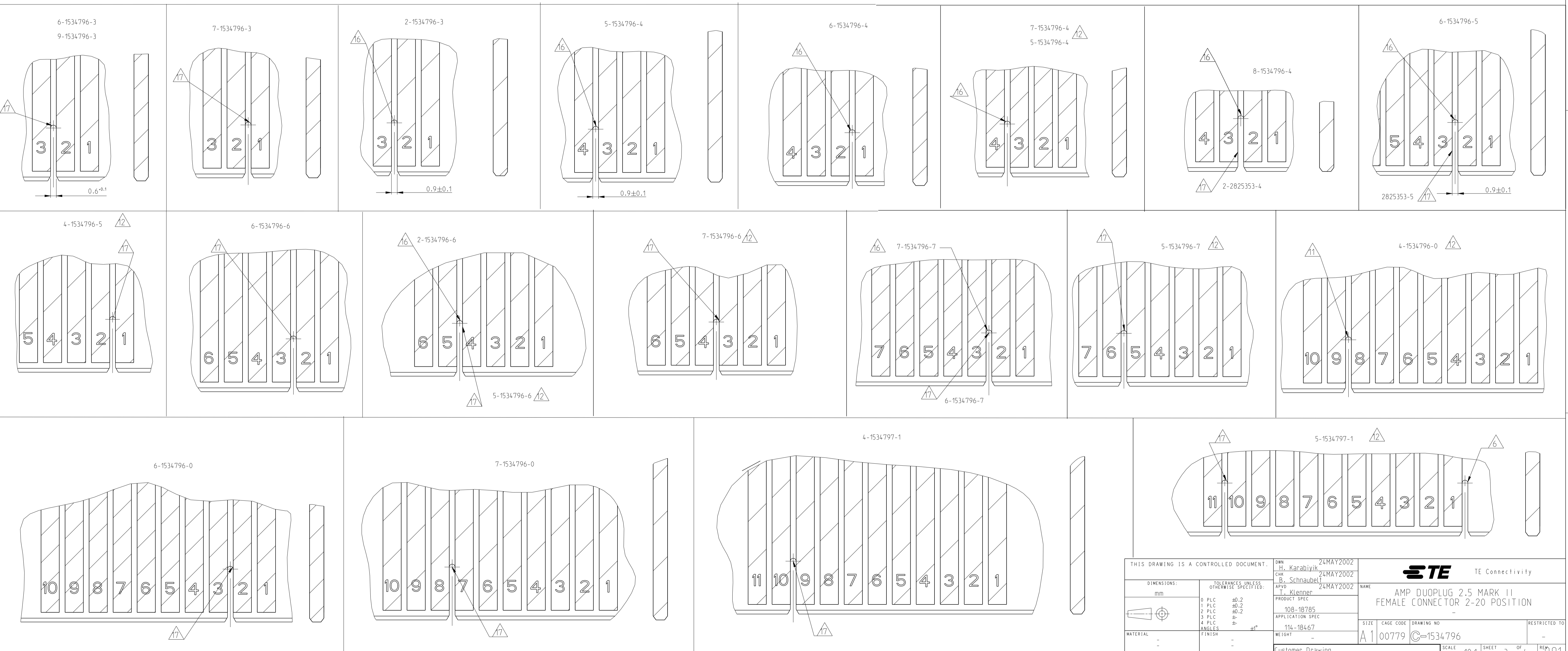
KEYING PLAN (EXAMPLES)
 Kodierschema (Beispiele)



PCB LAYOUT KEYED / CONNECTED ONLY WITH ADDITIONAL FRAME
 Leiterplattenanschluss kodiert / nur in Verbindung mit zusätzlichem Rahmen



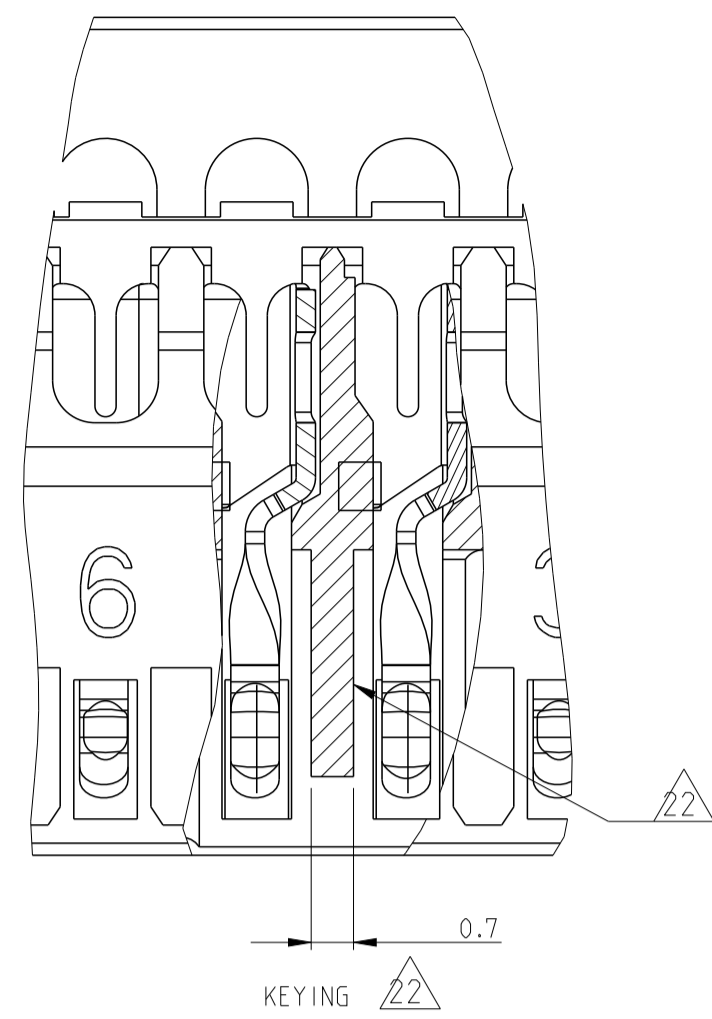
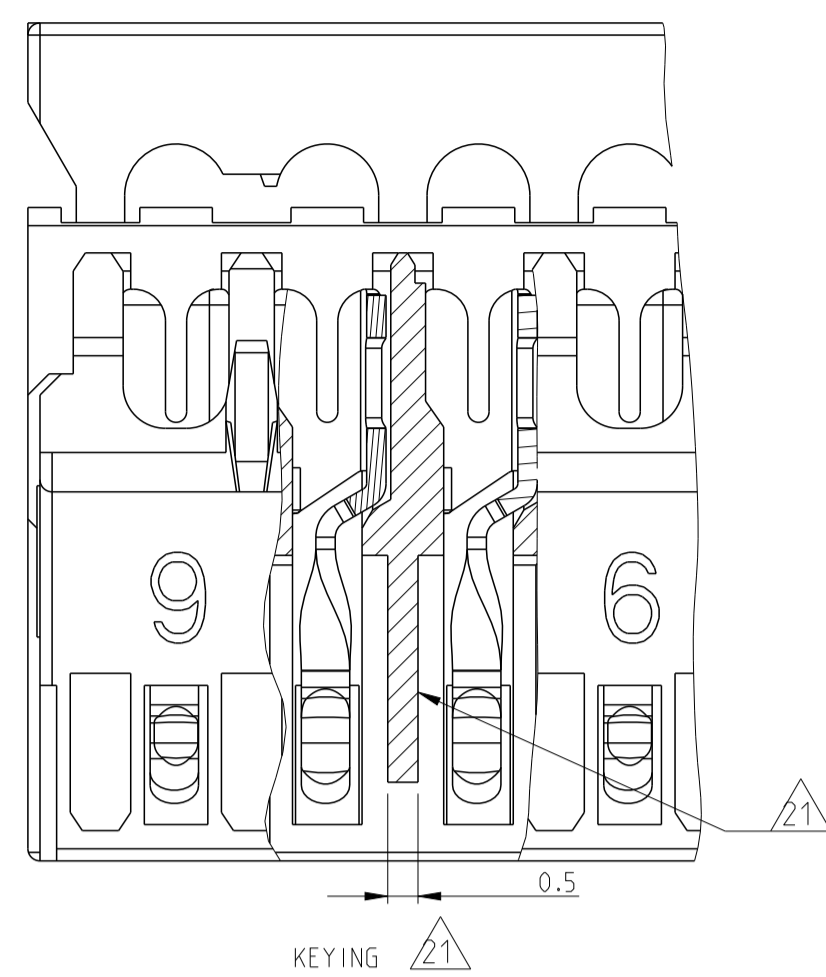
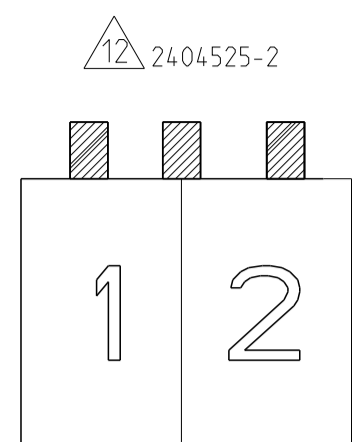
PCB LAYOUT FOR KEYING BETWEEN POSITION



THIS DRAWING IS A CONTROLLED DOCUMENT.		OWN: H. Karabiyik 24MAY2002	TE Connectivity NAME: AMP DUOPLUG 2.5 MARK II FEMALE CONNECTOR 2-20 POSITION SIZE: CAGE CODE DRAWING NO: 00779 DRAWING NO: C=1534796	RESTRICTED TO: -
DIMENSIONS: mm		CHK: B. Schnaubelt 24MAY2002		SCALE: 10:1
DIMENSIONS: mm 0 PLC ±0.2 1 PLC ±0.2 2 PLC ±0.2 3 PLC ±0.2 4 PLC ±0.2 ANGLES ±° FINISH ±*		TOLERANCES UNLESS OTHERWISE SPECIFIED: PRODUCT SPEC: 108-18785 APPLICATION SPEC: 114-18467 WEIGHT: - Customer Drawing	DATE: 24MAY2002	REV: 091

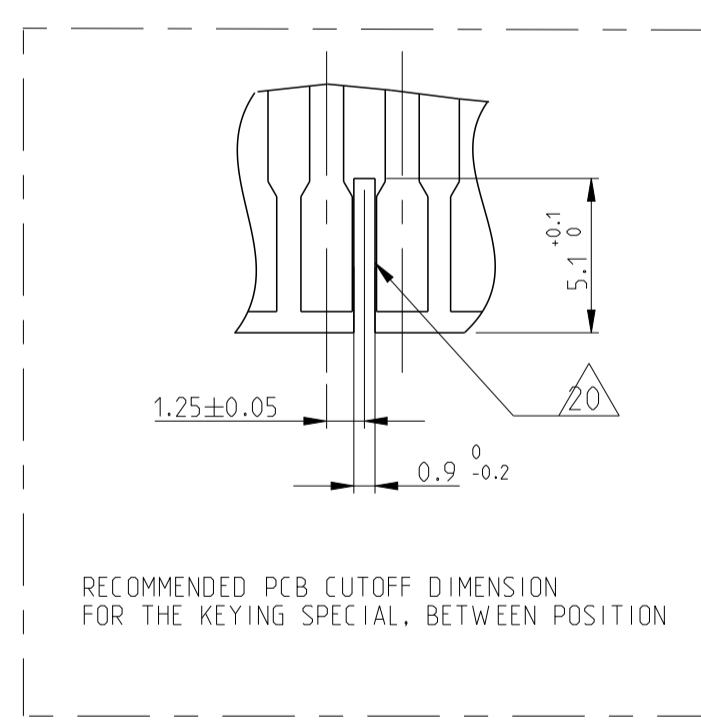
LOC	DIST	REVISIONS			
		REV	DATE	BY	APPV
A1	-	-	SEE SHEET 1	-	-

KEYING PLAN (EXAMPLES)



PA GF. GWPT 750°C NO FLAME & UL94-V0. TIN PLATED VERSION											
Blue	20	47.5	52.4	3/4					X		2-2304526-0
Blue	20	47.5	52.4				3/4		X		1-2304526-0
	14	32.5	37.4								2304526-4
	13	30	34.9						X		2-2304526-3
Blue	13	30	34.9						X		1-2304526-3
	13	30	34.9				2/3				2304526-3
	12	27.5	32.4								2304526-2
	10	22.5	27.4								1-2304525-0
	9	20	24.9	-	-	-	-				3-2304525-9
Blue	8	17.5	22.4	-	-	-	-				2-2304525-8
	8	17.5	22.4	-	-	-	-				1-2304525-8
Brown	8	17.5	22.4	-	-	-	2/3				2304525-8
	7	15	19.9	-	-	-	-				2304525-7
Black	6	12.5	17.4	-	-	-	-				4-2304525-6
GREEN	6	12.5	17.4	-	-	-	1/2				3-2304525-6
Red	6	12.5	17.4	-	-	-	2/3				2-2304525-6
	6	12.5	17.4	-	-	-	-				1-2304525-6
Blue	6	12.5	17.4	-	-	-	4/5				2304525-6
	5	10	14.9	4/5							5-2304525-5
	5	10	14.9		1/2	-	-				4-2304525-5
Green	5	10	14.9	-	-	-	3/4				2-2304525-5
Brown	5	10	14.9	-	-	-	2/3				1-2304525-5
	5	10	14.9	-	-	-	-				2304525-5
Orange	4	7.5	12.4				1/2				5-2304525-4
Black	4	7.5	12.4	-	3/4	-	-				4-2304525-4
Blue	4	7.5	12.4	-	-	-	-				3-2304525-4
	4	7.5	12.4	-	-	-	-				2-2304525-4
Brown	4	7.5	12.4	-	-	-	1/2				1-2304525-4
Black	4	7.5	12.4	-	-	-	3/4				2304525-4
	3	5	9.9						X		7-2304525-3
Red	3	5	9.9				2/3				6-2304525-3
Black	3	5	9.9				1/2				5-2304525-3
	3	5	9.9						X	X	4-2304525-3
Red	3	5	9.9				2/3				3-2304525-3
	3	5	9.9								2-2304525-3
	3	5	9.9	-	-	-	-				1-2304525-3
Black	3	5	9.9	-	-	-	1/2				2304525-3
	2	2.5	7.4								2304525-2
Color Code	POS. Polzahl	DIM A	DIM B	KEYING	KEYING	KEYING	KEYING	KEYING	KEYING	KEYING	PN Bestell-Nr.
		2		SEE TABLE	CONTACT	CuSn	TINNED				
		1			HOUSING	HIGH TEMP PLASTIC	NATUR				
SL NO	PN	DESCRIPTION		MATERIAL		COLOUR/FINISH					

KEYING, SPECIAL THICK. BETWEEN POSITION. THICKNESS 0.7mm
 KEYING, SPECIAL THIN. BETWEEN POSITION. THICKNESS 0.5mm
 SLOT FOR KEYING SPECIAL. BETWEEN POSITION



THIS DRAWING IS A CONTROLLED DOCUMENT. DWN: H. Karabiyik 24MAY2002
 CHK: B. Schnaubelt 24MAY2002
 APPV: T. Klenner 24MAY2002

STE TE Connectivity

NAME: AMP DUOPLUG 2.5 MARK II FEMALE CONNECTOR 2-20 POSITION

PRODUCT SPEC: 108-18785
 APPLICATION SPEC: 114-18467

SIZE: A1 CAGE CODE: 00779 DRAWING NO: 1534796 RESTRICTED TO: -

WEIGHT: - SCALE: 10:1 SHEET: 4 OF 4

Customer Drawing