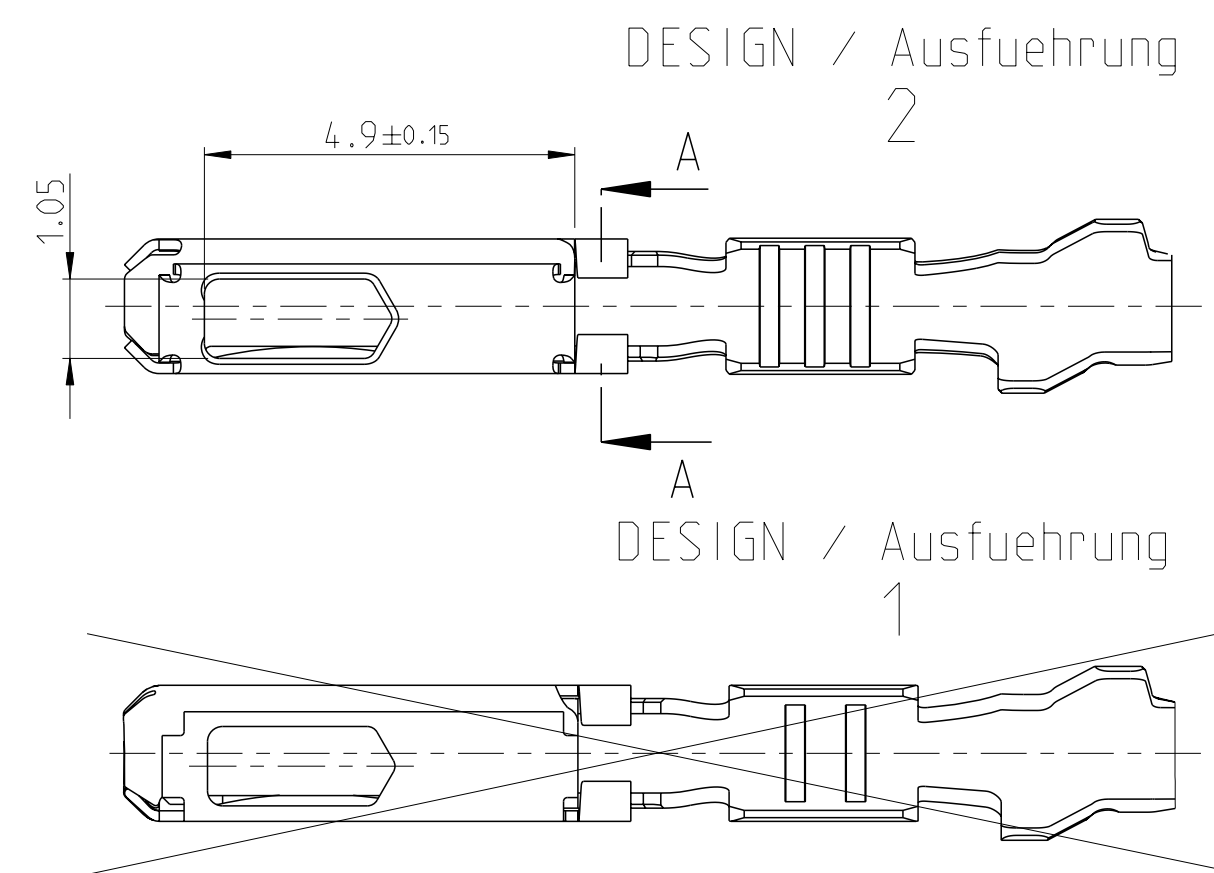
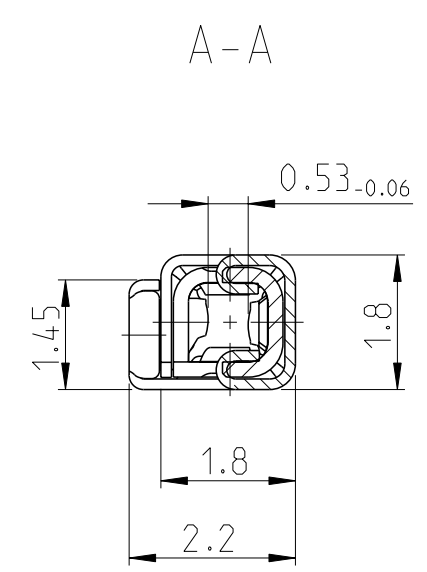
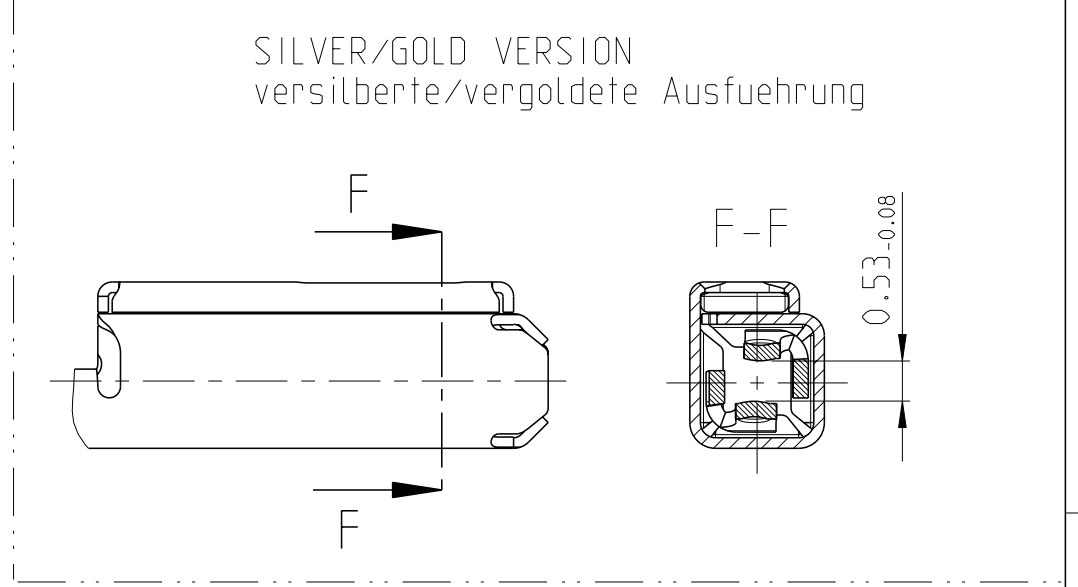
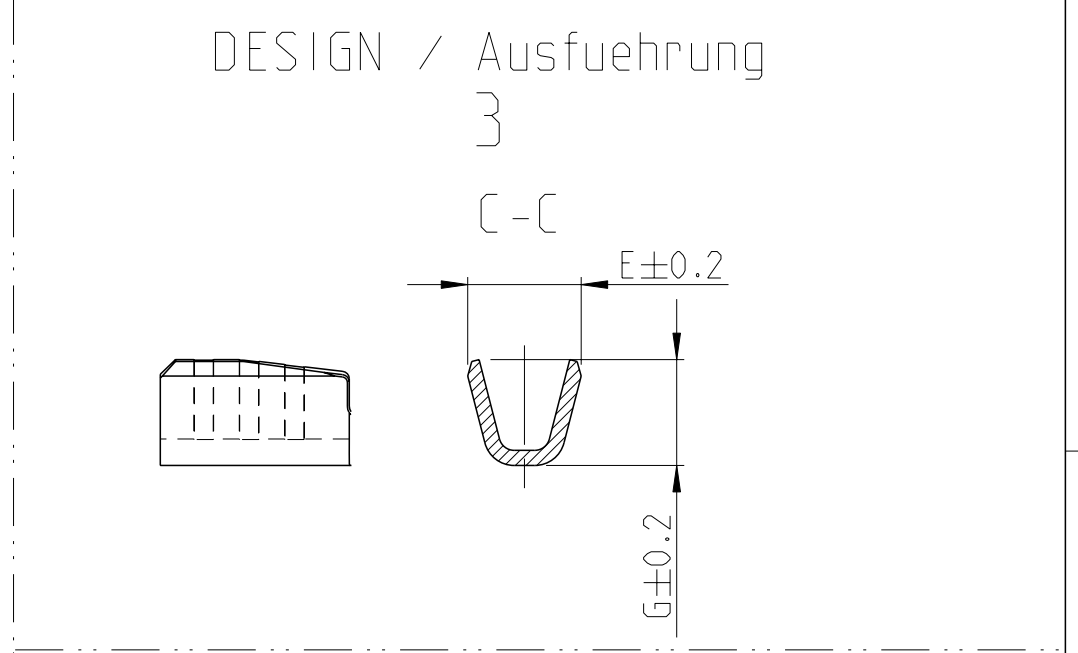
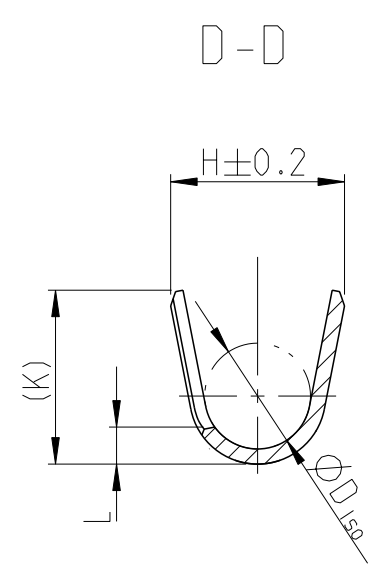
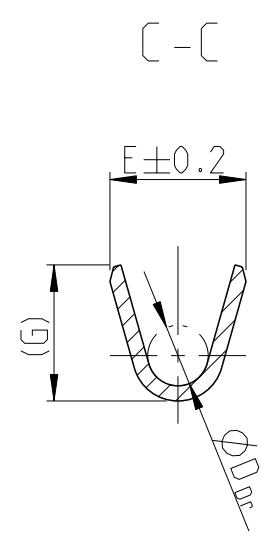
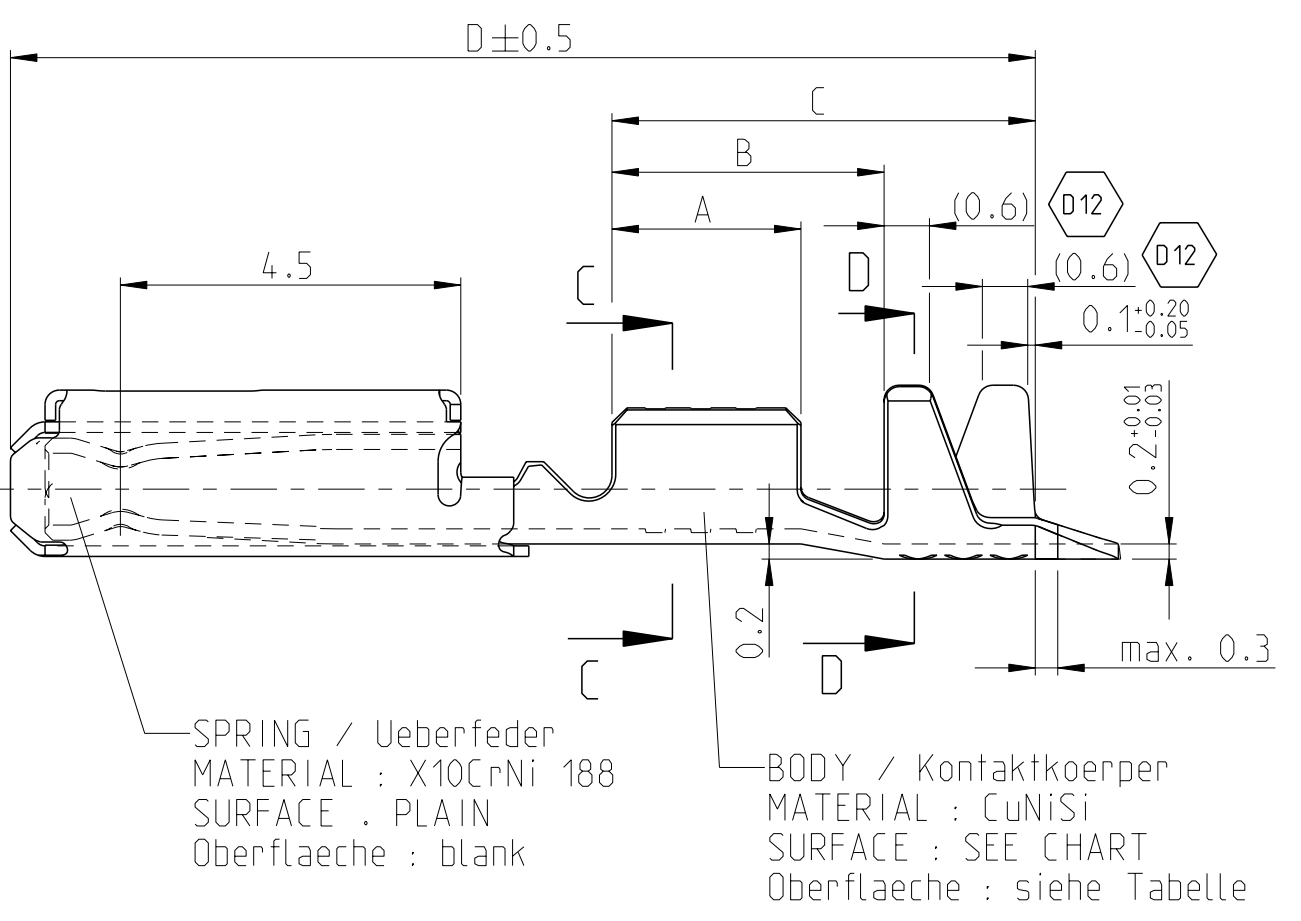
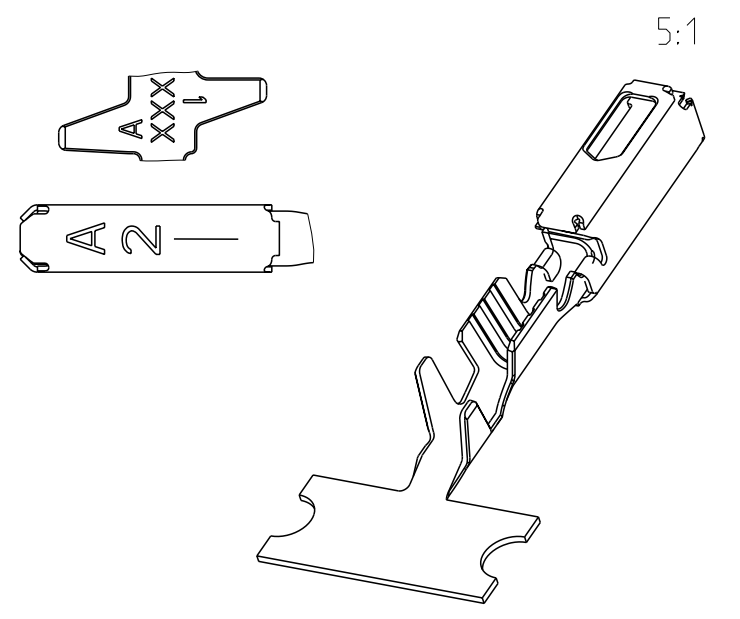


THIS DRAWING IS UNPUBLISHED. RELEASED FOR PUBLICATION 2012
 © COPYRIGHT 2012 Tyco Electronics AMP GmbH ALL RIGHTS RESERVED.

LOC	DIST	REVISIONS					
A1	-	P	LTR	DESCRIPTION	DATE	DWN	APVD
		D9		New View for Gold Version added	03APR2019	FRAN	BERG
		D10		See PCN E-19-011079	09DEC2019	MAH.	BERG
		D11		See PCN E-20-001102	27AUG2020	MAH.	BERG
		D12		PCN-22-152671	15SEP2022	FRAN	UTZ



- NOTES
 Bemerkungen
- SUITABLE FOR PIN CONTACT SEE DRAWING: TE: 929453
 Passend zu Stiftkontakt siehe Zeichnung: TE: 929453
 - FOR FLR-CONDUCTOR ACCORDING TO DIN 72551-6 ONLY
 Nur fuer FLR-Leitung nach DIN 72551, Teil 6
 - DETAILS OF DESIGN ARE LEFT TO MANUFACTURER
 Einzelheiten der Ausfuehrung bleiben dem Hersteller uebertlassen
 - TE REVISION AND DIE IDENTIFICATION (E.G. REV. A DIE-NO. 1)
 TE Revision und Werkzeug-Nr.(z.B. Rev. A Wkzg.-Nr. 1)
 - WITH DOUBLE-OUT DIES THE FIRST SPRING WILL BE PROVIDED WITH AN INDICATION "-"
 Bei doppelt fallenden Werkzeugen wird die erste Ueberfeder mit einer Kennzeichnung "-" versehen
 - Varianten von Design1 werden durch die entsprechenden Versionen von Design2 ersetzt
 VARIANTS OF DESIGN1 ARE SUPERSEDED BY CORRESPONDING VERSIONS OF DESIGN2



ORDER NO. DESIGN	ORDER NO. DESIGN	REV	ORDER NO. DESIGN	REV	WIRE SIZE RANGE	INSULATION	SURFACE CONTACT AREA	LENGTH	WIRE CRIMP	INSU. CRIMP	WEIGHT
Bestell-Nr. Ausfuehrung	Bestell-Nr. Ausfuehrung		Bestell-Nr. Ausfuehrung		DGB mm ²	Isolations Ø	Oberflaeche Kontaktzone	Laenge mm	Drahtcrimp mm	Iso' Crimp mm	Gewicht g
-	2295077-1	A	-	-	0.08-0.27	0.85-1.2	Sn	A = 2.5 B = 3.7 C = 5.4 D = 13.6	E = 1.5 G = 1.4 DDr = 0.2	H = 2.0 K = 1.9 L = 0.65 D _{ISO} = 1.1	0.15
5-1703282-2	-	A	1703282-2	B	0.5-0.75	1.4-1.9	Au	A = 2.8 B = 3.8 C = 5.6 D = 13.6	E = 2 G = 2.1 DDr = 1	H = 2.7 K = 2.9 L = 0.7 D _{ISO} = 1.4	0.13
5-1703282-1	-	A	1703282-1	A			Sn				
5-1534116-3	-	A	-	-			Ag				
5-1534116-2	-	A	1534116-2	B	0.25-0.35	1.2-1.6	Au	A = 2.5 B = 3.6 C = 5.6 D = 13.6	E = 1.8 G = 1.8 DDr = 0.8	H = 2.3 K = 2.3 L = 0.6 D _{ISO} = 1.4	0.12
5-1534116-1	-	A	1534116-1	B			Sn				
ORDER NO. DESIGN	ORDER NO. DESIGN	REV	ORDER NO. DESIGN	REV	WIRE SIZE RANGE	INSULATION	SURFACE CONTACT AREA	LENGTH	WIRE CRIMP	INSU. CRIMP	WEIGHT
Bestell-Nr. Ausfuehrung	Bestell-Nr. Ausfuehrung		Bestell-Nr. Ausfuehrung		DGB mm ²	Isolations Ø	Oberflaeche Kontaktzone	Laenge mm	Drahtcrimp mm	Iso' Crimp mm	Gewicht g
2	3		6 1								

THIS DRAWING IS A CONTROLLED DOCUMENT.

DWN: R.Schaefer 29JAN2002
 CHK: H.Kampmann 05JUL2007
 APVD: M.Bleicher 29APR2008

TE Connectivity

NAME: MQS 2POINT, CLEANBODY
 PRODUCT GROUP DRAWING SOCKET CONTACT
 Produktgruppenzeichnung Buchsenkontakt

108-18874
 APPLICATION SPEC 114-18021

SIZE: A2
 CAGE CODE: 00779
 DRAWING NO: 1534615

RESTRICTED TO: -

CUSTOMER DRAWING SCALE: 10:1 SHEET: 1 OF 1 REV: D12

Printed on 15 Sep 2022 12:11 (Mitteltierop from TE220462)