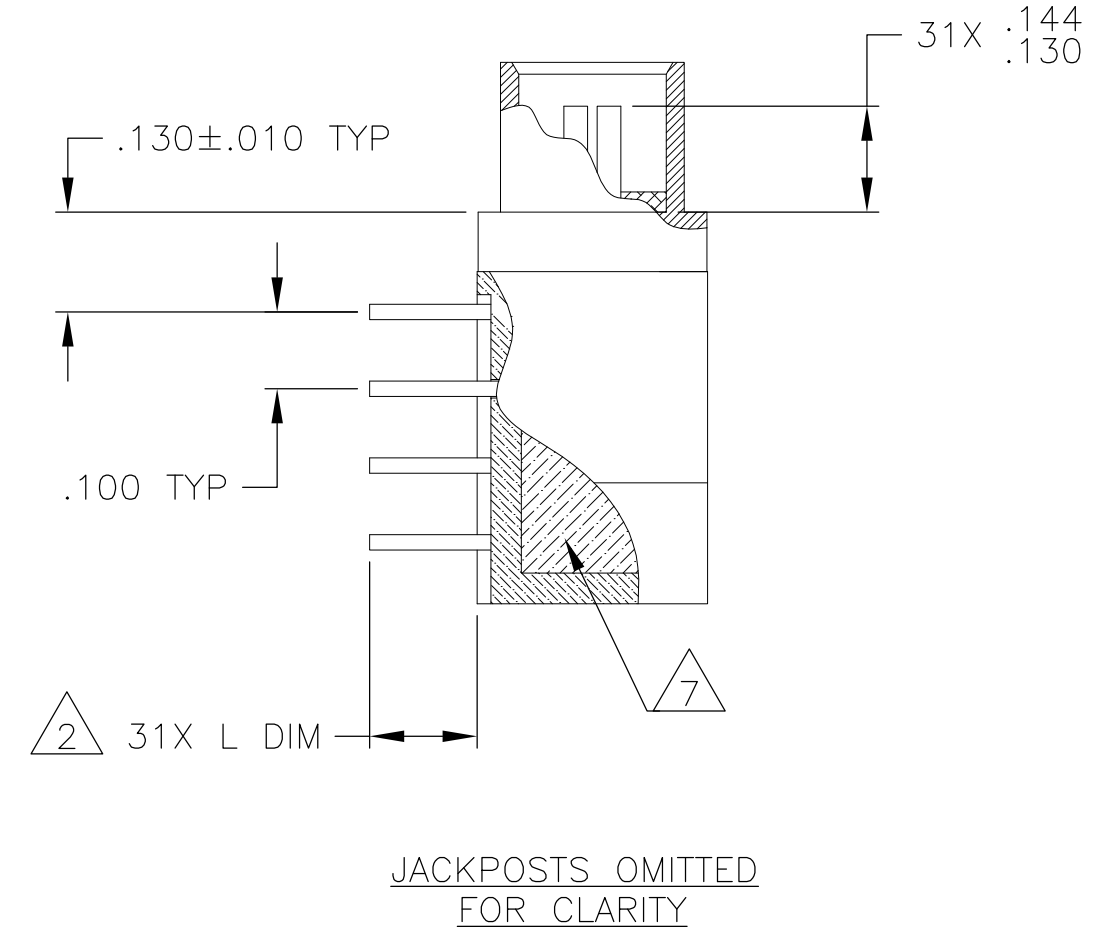
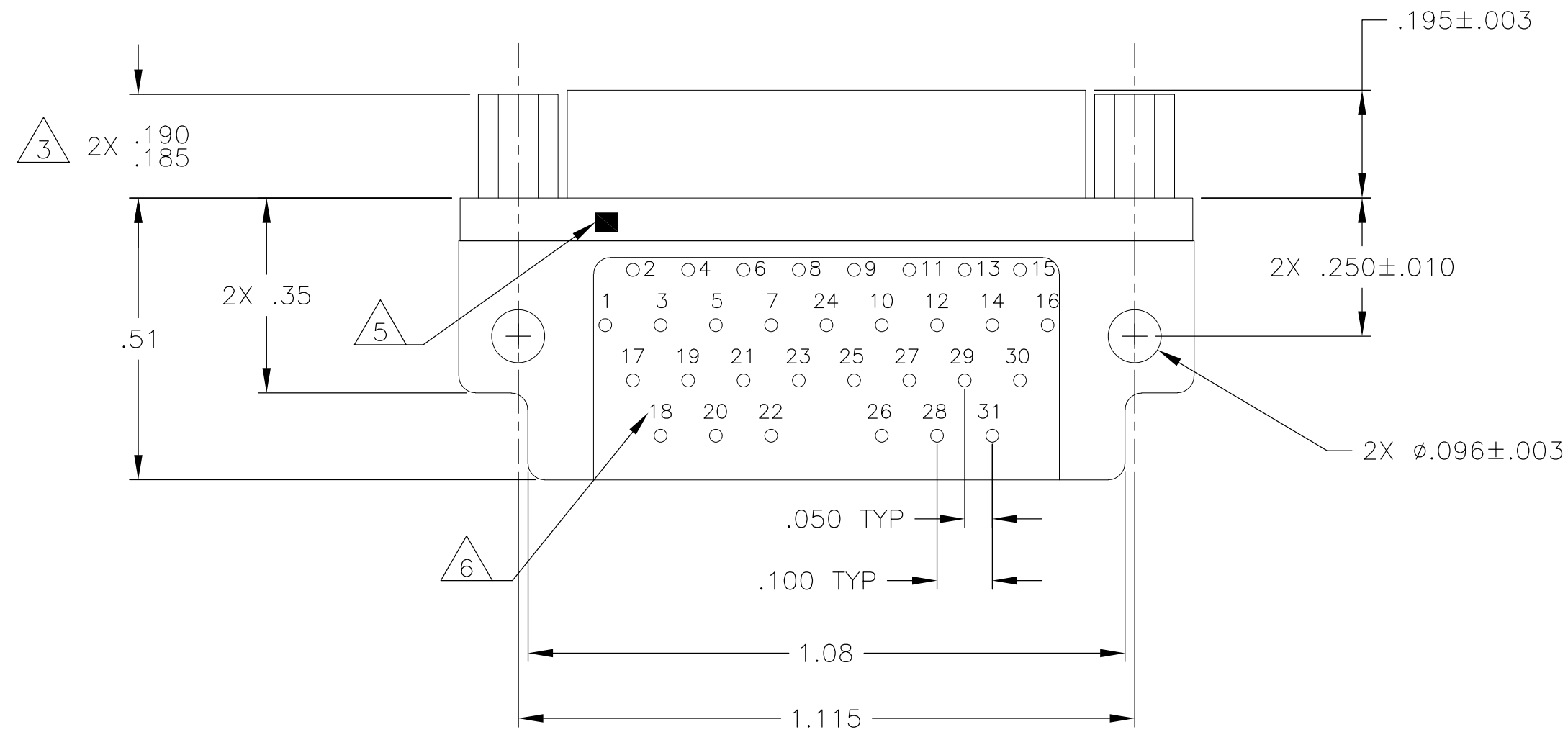
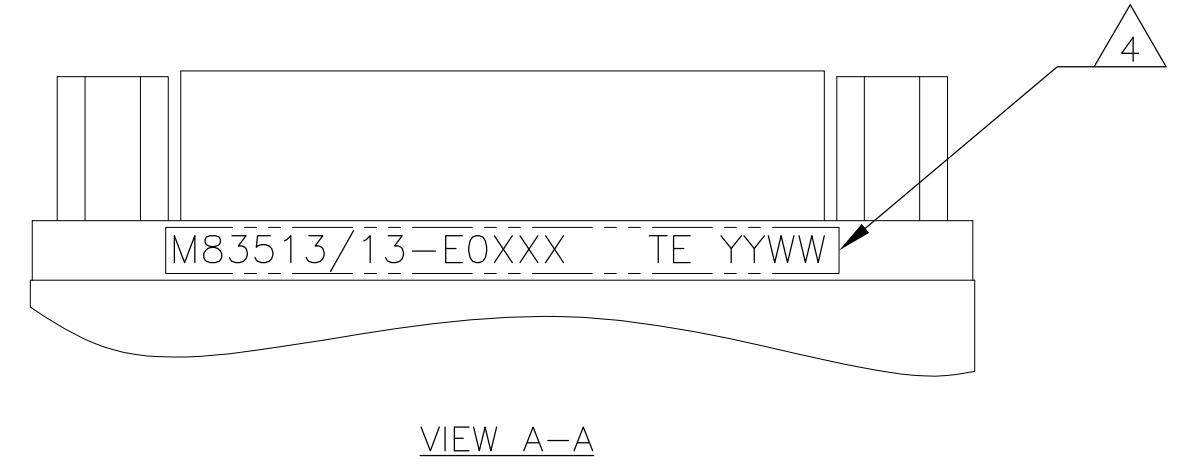
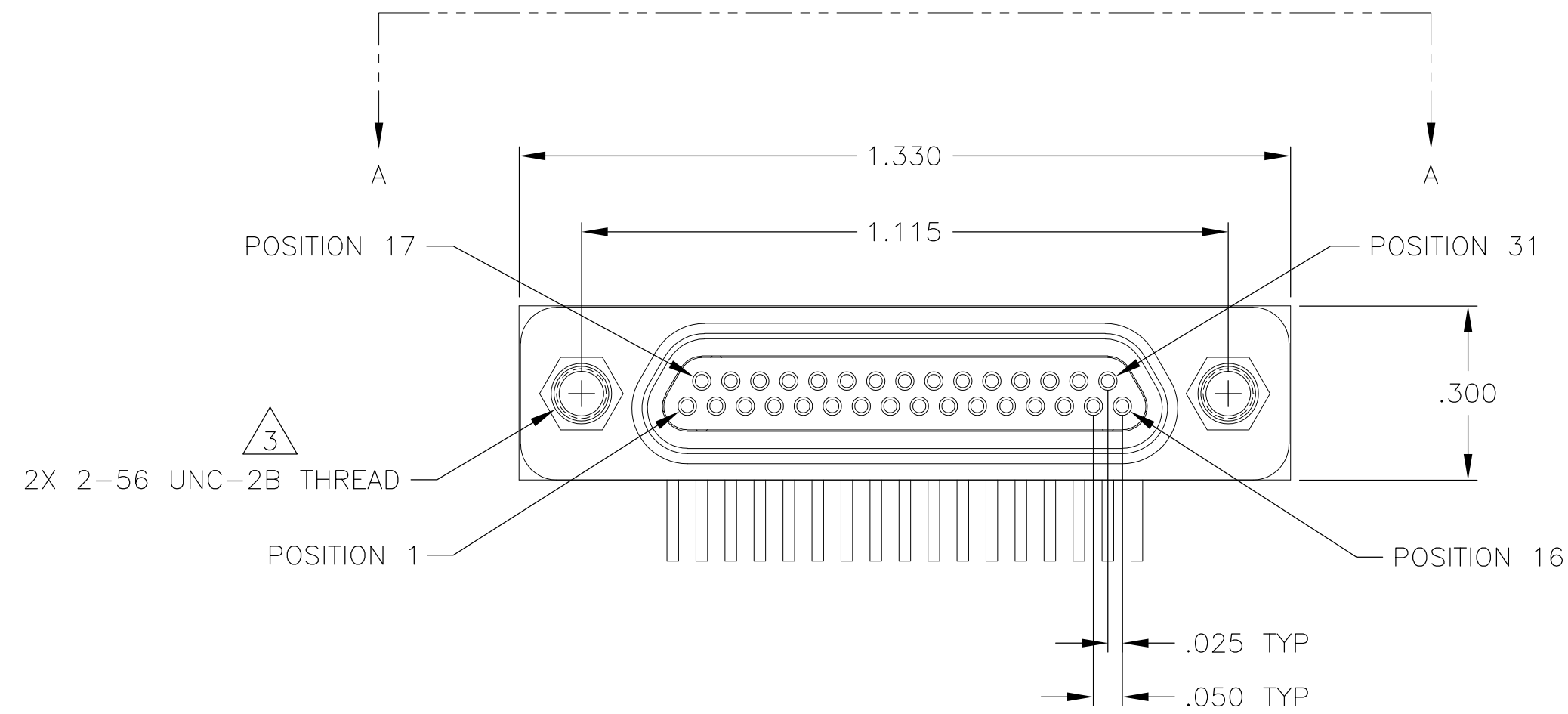


THIS DRAWING IS UNPUBLISHED. RELEASED FOR PUBLICATION
 © COPYRIGHT - By - ALL RIGHTS RESERVED.

LOC		DIST		REVISIONS			
P	LTR	DESCRIPTION		DATE	DWN	APVD	
	A	INITIAL RELEASE		2 JUL 12	CAS	MKS	



SEE SHEET 2 FOR NOTES

THIS DRAWING IS A CONTROLLED DOCUMENT.		DWN C SCHOLL 2 JUL 12	TE Connectivity	
DIMENSIONS: INCHES		CHK -		
TOLERANCES UNLESS OTHERWISE SPECIFIED:		APVD M STORRY 2 JUL 12	NAME	
0 PLC ± -		PRODUCT SPEC	RECEPTACLE ASSEMBLY, MCKS, RT1 RIGHT	
1 PLC ± -		APPLICATION SPEC	ANGLE, PCB MOUNT, 2 ROW,	
2 PLC ± .010			SIZE 31, PER MIL-DTL-83513/13	
3 PLC ± .005			SIZE	CAGE CODE
4 PLC ± -			A2	98278
ANGLES ± 1°			DRAWING NO	RESTRICTED TO
FINISH		WEIGHT	C=1532262	-
SEE NOTES		CUSTOMER DRAWING	SCALE 4:1	SHEET 1 OF 2
SEE NOTES			REV	A

THIS DRAWING IS UNPUBLISHED. RELEASED FOR PUBLICATION
 © COPYRIGHT - By - ALL RIGHTS RESERVED.

LOC		DIST		REVISIONS			
P	LTR	DESCRIPTION	DATE	DWN	APVD		
-	-	SEE SHEET 1	-	-	-		

TE PART NUMBER	MIL-DTL-83513 PIN	MCKS DESCRIPTION	SHELL FINISH $\triangle 1$	HARDWARE $\triangle 3$	L DIM $\pm .015$
1532262-1	M83513/13-E01CN	MCKS-C2-B-31SRT1	CADMIUM	NONE	.109
1532262-2	M83513/13-E01CP	MCKS-C2-P-31SRT1	CADMIUM	JACKPOSTS	.109
1532262-3	M83513/13-E01NN	MCKS-N1-B-31SRT1	NICKEL	NONE	.109
1532262-4	M83513/13-E01NP	MCKS-N1-P-31SRT1	NICKEL	JACKPOSTS	.109
1532262-5	M83513/13-E02CN	MCKS-C2-B-31SRT1A	CADMIUM	NONE	.140
1532262-6	M83513/13-E02CP	MCKS-C2-P-31SRT1A	CADMIUM	JACKPOSTS	.140
1532262-7	M83513/13-E02NN	MCKS-N1-B-31SRT1A	NICKEL	NONE	.140
1532262-8	M83513/13-E02NP	MCKS-N1-P-31SRT1A	NICKEL	JACKPOSTS	.140
1532262-9	M83513/13-E03CN	MCKS-C2-B-31SRT1B	CADMIUM	NONE	.172
1-1532262-0	M83513/13-E03CP	MCKS-C2-P-31SRT1B	CADMIUM	JACKPOSTS	.172
1-1532262-1	M83513/13-E03NN	MCKS-N1-B-31SRT1B	NICKEL	NONE	.172
1-1532262-2	M83513/13-E03NP	MCKS-N1-P-31SRT1B	NICKEL	JACKPOSTS	.172

$\triangle 1$ SHELL MATERIAL: 6061-T6 ALUMINUM
 FINISH OPTIONS:
 ELECTROLESS NICKEL PLATED PER SAE-AMS-C-26074 OR SAE AMS 2404 OR CADMIUM PLATED PER SAE-AMS-QQ-P-416 WITH YELLOW CHROMATE
 INSULATOR: LIQUID CRYSTAL POLYMER (LCP)
 INTERFACIAL SEAL: FLUOROSILICONE PER SAE-AMS-R-25988
 HARDWARE: 300 SERIES STAINLESS STEEL
 TB BOX: POLYPHENYLENE SULFIDE (PPS) AND EPOXY POTTING

$\triangle 2$ TERMINATION: 24AWG GOLD PLATED COPPER WIRE, Sn63Pb37 SOLDER DIPPED UP TO MOUNTING SURFACE AT A MINIMUM

$\triangle 3$ JACKPOST HARDWARE SHALL BE PERMANENTLY INSTALLED AS SHOWN WHEN REQUIRED BY THE MIL PIN. JACKPOST DIMENSIONS AND REQUIREMENTS ARE DEFINED IN MIL-DTL-83513/5.


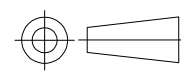
$\triangle 4$ CONNECTOR SHALL BE MARKED IN ACCORDANCE WITH METHOD I OF MIL-STD-1285. MARKING SHALL CONTAIN THE MILITARY PIN, CAGE CODE (OR TE), AND DATE CODE. EXAMPLE: M83513/13-E0XXX TE YYWW (WHERE XXX IS PART OF THE PIN SHOWN IN THE "MIL-DTL-83513 PIN" COLUMN OF THE PART NUMBER TABLE, AND YYWW IS THE DATE CODE). THE MARKING MUST BE PRINTED ON THE FLANGE. TEXT HEIGHT SHALL BE .035 INCH MINIMUM.

$\triangle 5$ POSITION 1 SHALL BE INDICATED BY AN IDENTIFIABLE MARK, LOCATED APPROXIMATELY AS SHOWN ON THE POSITION 1 SIDE OF THE CONNECTOR FLANGE. THIS MARK SHALL BE INCLUDED AS PART OF THE PART MARKING INFORMATION.

$\triangle 6$ TERMINAL IDENTIFICATION NUMBERS AS SHOWN DO NOT ACTUALLY APPEAR ON THE PART (FOR IDENTIFICATION ONLY)

$\triangle 7$ EPOXY ENCAPSULATION

8 ALL REQUIREMENTS CONFORM TO MIL-DTL-83513/13. SEE MIL-SPEC FOR DETAILED INTERFACE DIMENSIONS AND SUGGESTED PCB LAYOUTS

THIS DRAWING IS A CONTROLLED DOCUMENT.		DWN C SCHOLL	X APR 12	 TE Connectivity	
DIMENSIONS: INCHES		CHK -	-		
TOLERANCES UNLESS OTHERWISE SPECIFIED:		APVD M STORRY	2 JUL 12	NAME	
		PRODUCT SPEC	-	RECEPTACLE ASSEMBLY, MCKS, RT1 RIGHT ANGLE, PCB MOUNT, 2 ROW, SIZE 31, PER MIL-DTL-83513/13	
MATERIAL		APPLICATION SPEC	-	SIZE	RESTRICTED TO
SEE NOTES		WEIGHT	-	A2	-
FINISH		CUSTOMER DRAWING	-	CAGE CODE	DRAWING NO
SEE NOTES		SCALE	4:1	98278	1532262
		SHEET	2 of 2	REV	A

1532262