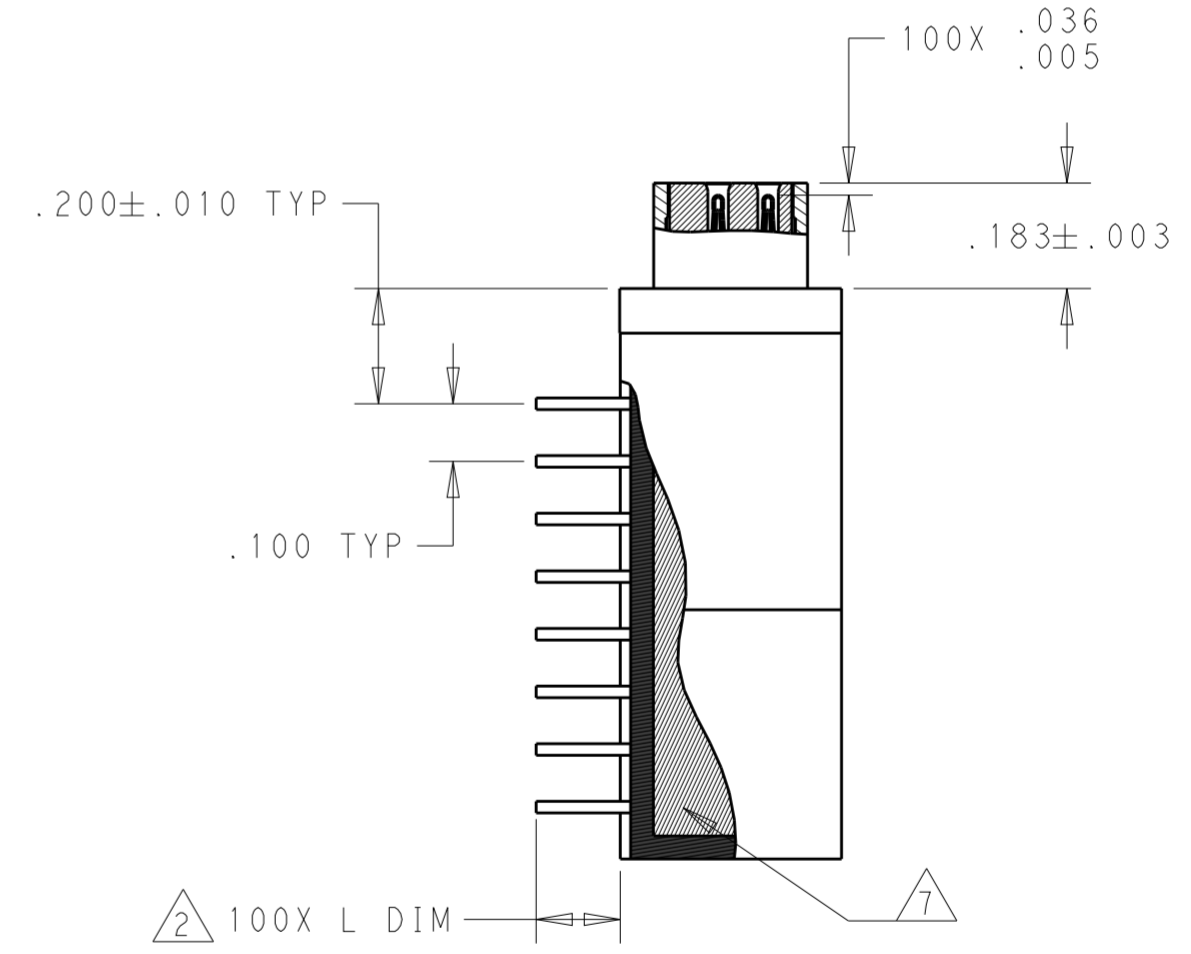
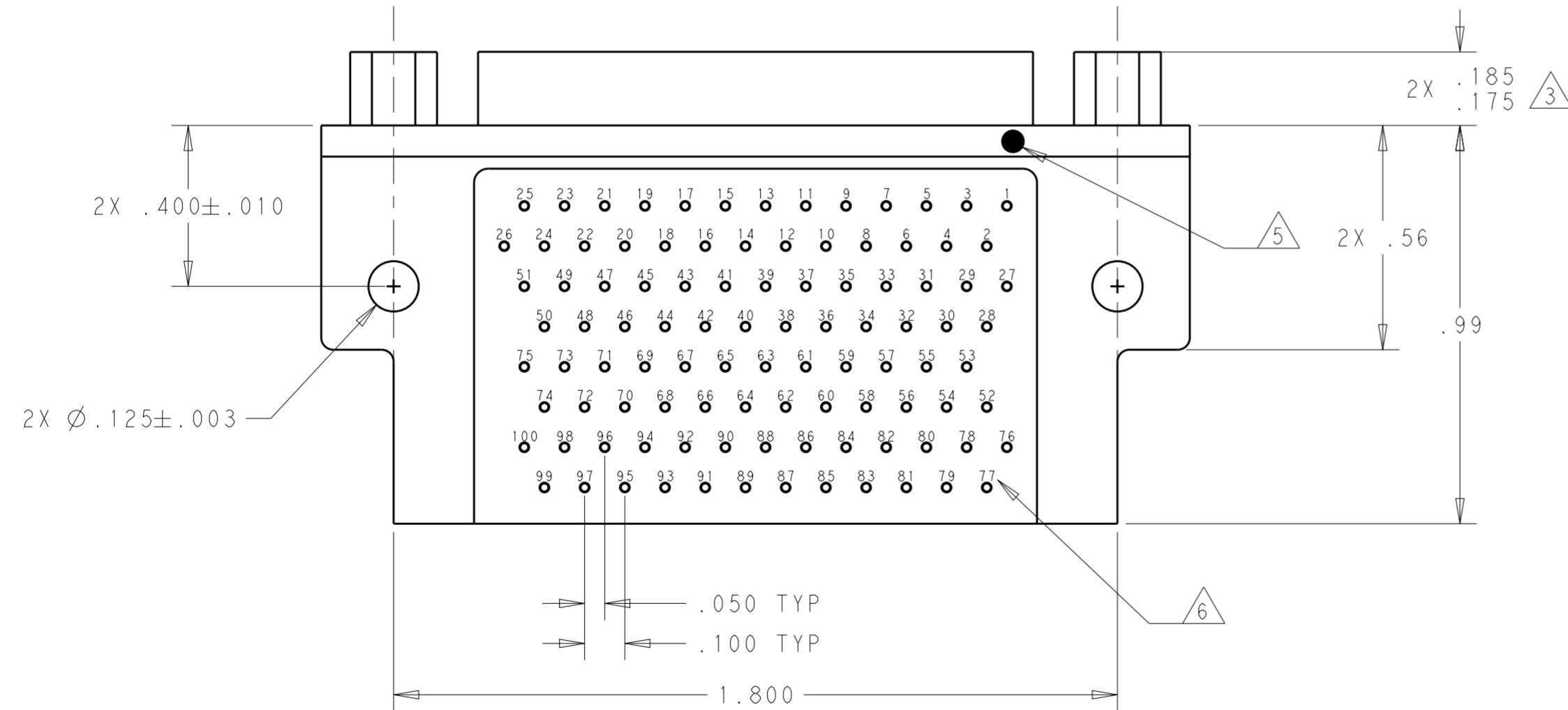
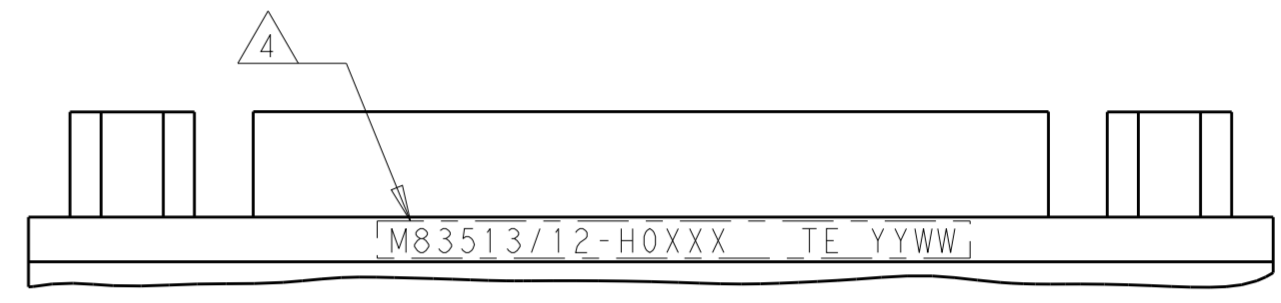
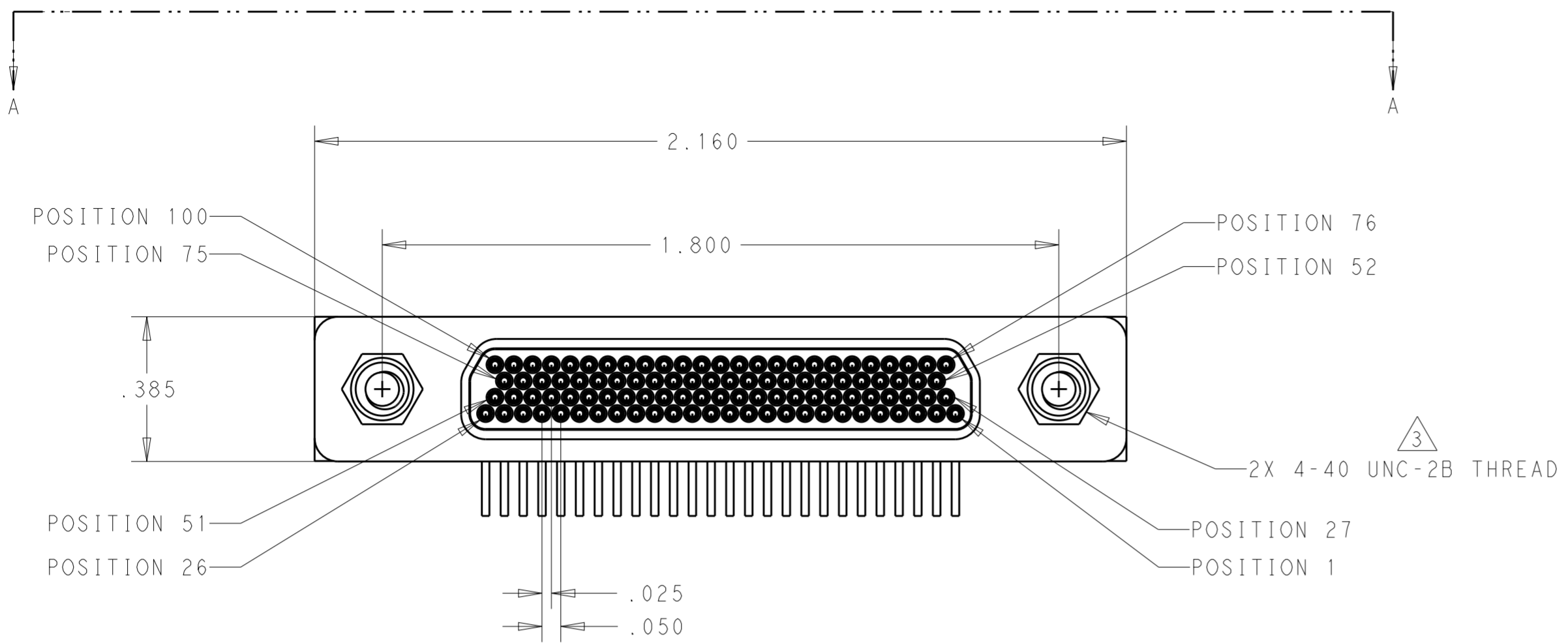


THIS DRAWING IS UNPUBLISHED. RELEASED FOR PUBLICATION 20
 © COPYRIGHT 20 BY - ALL RIGHTS RESERVED.

REVISIONS					
P	LTR	DESCRIPTION	DATE	DWN	APVD
B		UPDATE PER ECO-16-010851	21 JUL 2016	DS	CS



SEE SHEET 2 FOR NOTES

THIS DRAWING IS A CONTROLLED DOCUMENT.		DWN C SCHOLL	02 JUL 2012	TE Connectivity	
DIMENSIONS: IN		CHK -	APVD -		
TOLERANCES UNLESS OTHERWISE SPECIFIED: 0 PLC ± 1 PLC ± 2 PLC ±.010 3 PLC ±.005 4 PLC ± ANGLES ±1°		PRODUCT SPEC -		SIZE A2	CAGE CODE 98278
MATERIAL SEE NOTES		APPLICATION SPEC -		DRAWING NO C-1532257	RESTRICTED TO -
FINISH -		WEIGHT -		SCALE 3:1	SHEET 1 OF 2
-		CUSTOMER DRAWING		REV B	

THIS DRAWING IS UNPUBLISHED. RELEASED FOR PUBLICATION 20
 © COPYRIGHT 20 BY - ALL RIGHTS RESERVED.

REVISIONS				
P	LTR	DESCRIPTION	DATE	APVD
		SEE SHEET 1		

TE PART NUMBER	MIL-DTL-83513 PIN	MCKS DESCRIPTION	SHELL FINISH $\triangle 1$	HARDWARE $\triangle 3$	L DIM $\pm .015$
1532257-1	M83513/12-H01CN	MCKS-C2-B-100PRT1	CADMIUM	NONE	.109
1532257-2	M83513/12-H01CP	MCKS-C2-S-100PRT1	CADMIUM	JACKPOSTS	.109
1532257-3	M83513/12-H01NN	MCKS-N1-B-100PRT1	NICKEL	NONE	.109
1532257-4	M83513/12-H01NP	MCKS-N1-S-100PRT1	NICKEL	JACKPOSTS	.109
1532257-5	M83513/12-H02CN	MCKS-C2-B-100PRT1A	CADMIUM	NONE	.140
1532257-6	M83513/12-H02CP	MCKS-C2-S-100PRT1A	CADMIUM	JACKPOSTS	.140
1532257-7	M83513/12-H02NN	MCKS-N1-B-100PRT1A	NICKEL	NONE	.140
1532257-8	M83513/12-H02NP	MCKS-N1-S-100PRT1A	NICKEL	JACKPOSTS	.140
1532257-9	M83513/12-H03CN	MCKS-C2-B-100PRT1B	CADMIUM	NONE	.172
1-1532257-0	M83513/12-H03CP	MCKS-C2-S-100PRT1B	CADMIUM	JACKPOSTS	.172
1-1532257-1	M83513/12-H03NN	MCKS-N1-B-100PRT1B	NICKEL	NONE	.172
1-1532257-2	M83513/12-H03NP	MCKS-N1-S-100PRT1B	NICKEL	JACKPOSTS	.172
1-1532257-3	M83513/12-H01PN	MCKS-P1-B-100PRT1	PASSIVATED SS	NONE	.109
1-1532257-4	M83513/12-H01PP	MCKS-P1-S-100PRT1	PASSIVATED SS	JACKPOSTS	.109
1-1532257-5	M83513/12-H02PN	MCKS-P1-B-100PRT1A	PASSIVATED SS	NONE	.140
1-1532257-6	M83513/12-H02PP	MCKS-P1-S-100PRT1A	PASSIVATED SS	JACKPOSTS	.140
1-1532257-7	M83513/12-H03PN	MCKS-P1-B-100PRT1B	PASSIVATED SS	NONE	.172
1-1532257-8	M83513/12-H03PP	MCKS-P1-S-100PRT1B	PASSIVATED SS	JACKPOSTS	.172

$\triangle 1$ SHELL MATERIAL: 6061-T6 ALUMINUM
 FINISH OPTIONS:
 ELECTROLESS NICKEL PLATED PER SAE-AMS-C-26074 OR SAE AMS 2404 OR CADMIUM PLATED PER SAE-AMS-QQ-P-416 WITH YELLOW CHROMATE
 OR PASSIVATED STAINLESS STEEL PER SAE AMS2700
 INSULATOR: LIQUID CRYSTAL POLYMER (LCP)
 HARDWARE: 300 SERIES STAINLESS STEEL
 TB BOX: POLYPHENYLENE SULFIDE (PPS) AND EPOXY POTTING

$\triangle 2$ TERMINATION: 24 AWG GOLD PLATED COPPER WIRE, Sn63Pb37 SOLDER DIPPED UP TO MOUNTING SURFACE AT A MINIMUM

$\triangle 3$ JACKPOST HARDWARE SHALL BE PERMANENTLY INSTALLED AS SHOWN WHEN REQUIRED BY THE MIL PIN. JACKPOST DIMENSIONS AND REQUIREMENTS ARE DEFINED IN MIL-DTL-83513/5.


$\triangle 4$ CONNECTOR SHALL BE MARKED IN ACCORDANCE WITH METHOD I OF MIL-STD-1285. MARKING SHALL CONTAIN THE MILITARY PIN, CAGE CODE (OR TE), AND DATE CODE. EXAMPLE: M83513/12-H0XXX TE YYWW (WHERE XXX IS PART OF THE PIN SHOWN IN THE "MIL-DTL-83513 PIN" COLUMN OF THE PART NUMBER TABLE, AND YYWW IS THE DATE CODE). THE MARKING MUST BE PRINTED ON THE FLANGE. TEXT HEIGHT SHALL BE .035 INCH MINIMUM.

$\triangle 5$ POSITION 1 SHALL BE INDICATED BY AN IDENTIFIABLE MARK, LOCATED APPROXIMATELY AS SHOWN ON THE POSITION 1 SIDE OF THE CONNECTOR FLANGE. THIS MARK SHALL BE INCLUDED AS PART OF THE PART MARKING INFORMATION.

$\triangle 6$ TERMINAL IDENTIFICATION NUMBERS AS SHOWN DO NOT ACTUALLY APPEAR ON THE PART (FOR IDENTIFICATION ONLY)

$\triangle 7$ EPOXY ENCAPSULATION

8 ALL REQUIREMENTS CONFORM TO MIL-DTL-83513/12. SEE MIL-SPEC FOR DETAILED INTERFACE DIMENSIONS AND SUGGESTED PCB LAYOUTS

THIS DRAWING IS A CONTROLLED DOCUMENT.		DWN C SCHOLL	02 JUL 2012	 TE Connectivity	
DIMENSIONS: IN		CHK -	APVD -		
TOLERANCES UNLESS OTHERWISE SPECIFIED: 0 PLC \pm - 1 PLC \pm - 2 PLC $\pm .010$ 3 PLC $\pm .005$ 4 PLC \pm - ANGLES $\pm 1^\circ$		PRODUCT SPEC -		NAME PLUG ASSEMBLY, MCKS, RT1 RIGHT ANGLE, PCB MOUNT, 4 ROW, SIZE 100, PER MIL-DTL-83513/12	
MATERIAL SEE NOTES		FINISH SEE NOTES		APPLICATION SPEC -	RESTRICTED TO -
-		-		SIZE A2	CAGE CODE 98278
-		-		DRAWING NO C-1532257	SCALE 3:1
-		-		WEIGHT -	SHEET 2 OF 2
-		-		CUSTOMER DRAWING	REV B