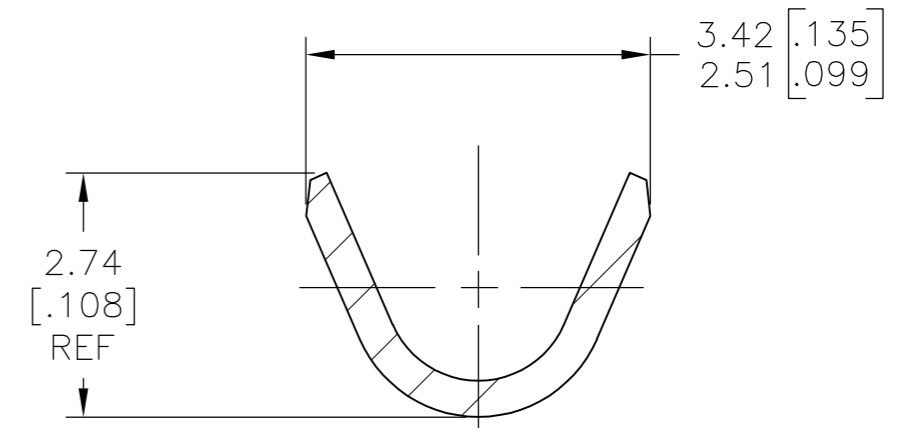
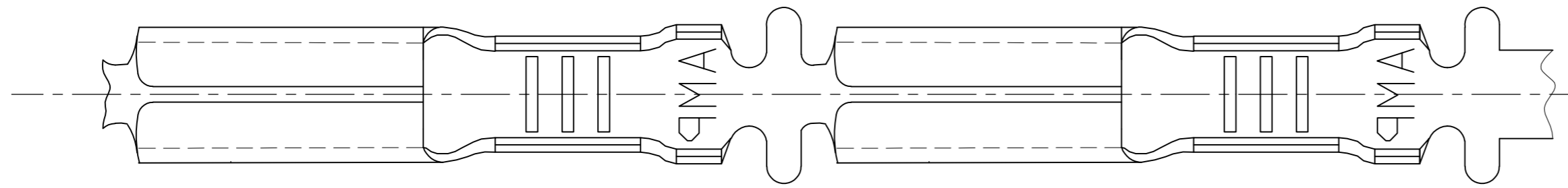
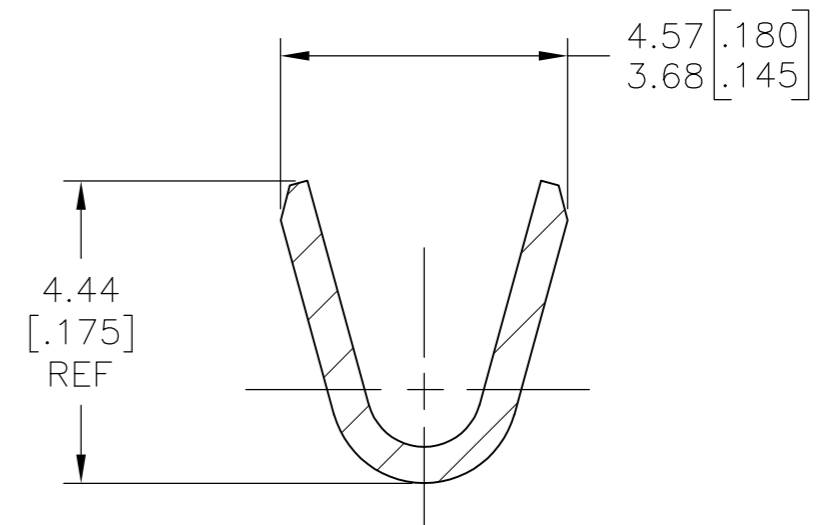
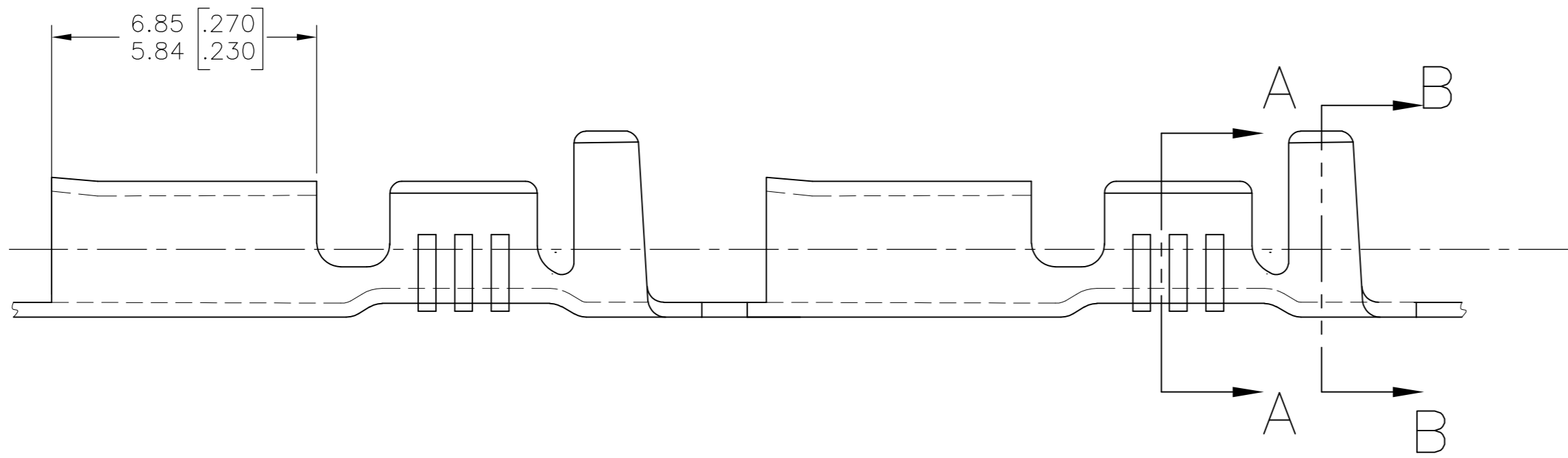


THIS DRAWING IS UNPUBLISHED. RELEASED FOR PUBLICATION  
 © COPYRIGHT - By - ALL RIGHTS RESERVED.

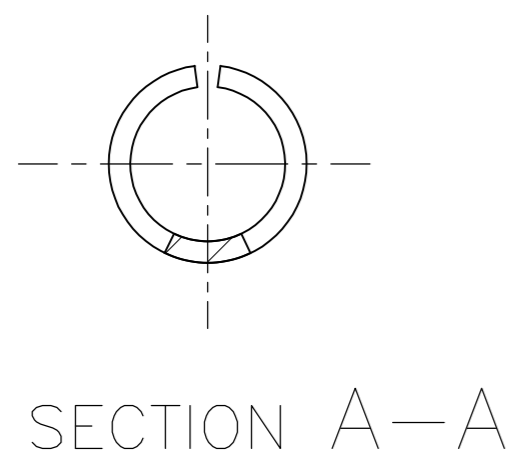
REVISIONS					
P	LTR	DESCRIPTION	DATE	DWN	APVD
A		NEW DRAWING	23NOV2016	RS	TD



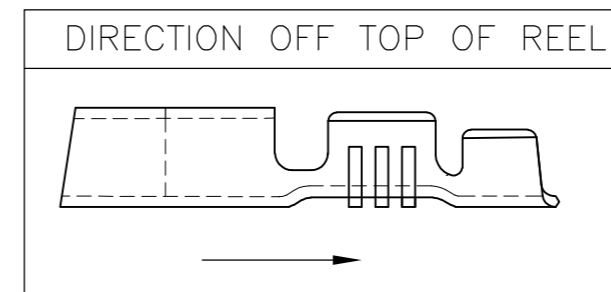
SECTION A-A



SECTION B-B



SECTION A-A



WIRE RANGE: 20-18  
 INS. RANGE: 2.28-3.30  
 [.090-.130]

BRASS	152354
MAT.	PART NO

THIS DRAWING IS A CONTROLLED DOCUMENT.		DWN	23NOV2016	TE Connectivity SHUR PLUG RECEPTACLE	
		RAVI S			
		CHK	23NOV2016		
		LI DAISY			
		APVD	23NOV2016	NAME	
		DING TIM		PRODUCT SPEC	
		APPLICATION SPEC		SIZE	
				CAGE CODE	
				DRAWING NO	
				RESTRICTED TO	
MATERIAL		FINISH		WEIGHT	
SEE TABLE		-		-	
		CUSTOMER DRAWING		SCALE	
				6:1	
				SHEET	
				1 of 1	
				REV	
				A	