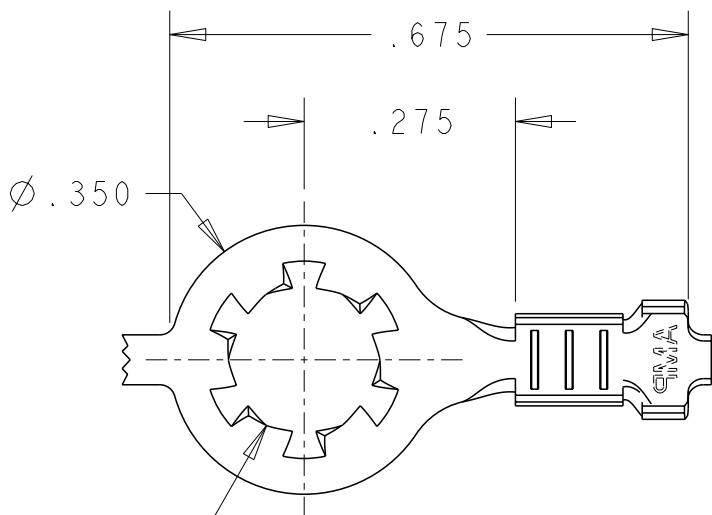
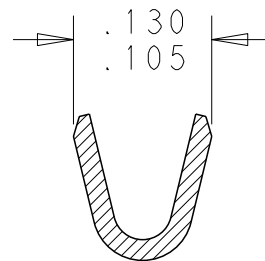


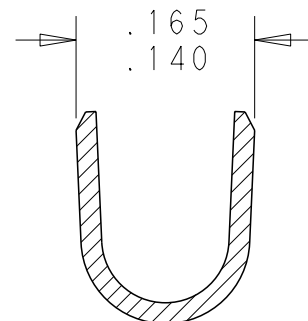
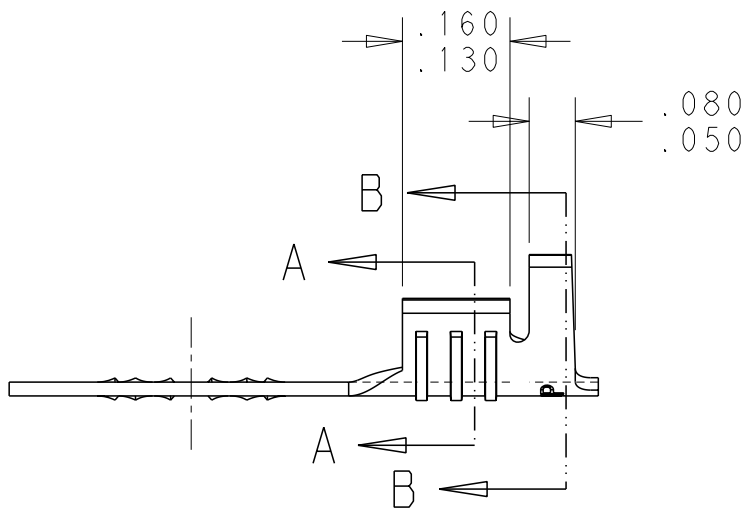
REVISIONS					
P	LTR	DESCRIPTION	DATE	DWN	APVD
	B1	REDRAWN PER ECR-18-018366	22NOV2018	BW	GG



STUD HOLE Ø .197<sup>.204</sup>/<sub>.195</sub>  
(TO SUIT 2BA STUD)



SECTION A - A  
SCALE 6:1

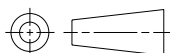


SECTION B - B  
SCALE 6:1

WIRE RANGE	20-16 AWG
INSULATION	.100-.120 DIA

NICKEL PLATE	STEEL	151382-3
TIN PLATE	STEEL	151382-2
NONE	STEEL	151382-1
FINISH	MATERIAL	PART NO.

DIMENSIONS: INCHES	DWN BASVESH WARAD	22NOV2018	MATERIAL .018 THICK, SEE TABLE	FINISH SEE TABLE				
	CHK GUNASEKHAR G	22NOV2018						
TOLERANCES UNLESS OTHERWISE SPECIFIED:	APVD DING, TIM	22NOV2018			NAME SHAKE-PROOF RING-TONGUE			
	0 PLC ±-	PRODUCT SPEC	-	SIZE	CAGE CODE	DRAWING NO	RESTRICTED TO	
1 PLC ±-	APPLICATION SPEC	-	A 4	00779	G-151382	-		
2 PLC ±-	WEIGHT	-	CUSTOMER DRAWING		SCALE	SHEET	OF	REV
3 PLC ±-					4:1	1	1	B1
4 PLC ±-								
ANGLES ±-								



2018

RELEASED FOR PUBLICATION

ALL RIGHTS RESERVED.

BY - TE CONNECTIVITY

© COPYRIGHT 2018

THIS DRAWING IS UNPUBLISHED.