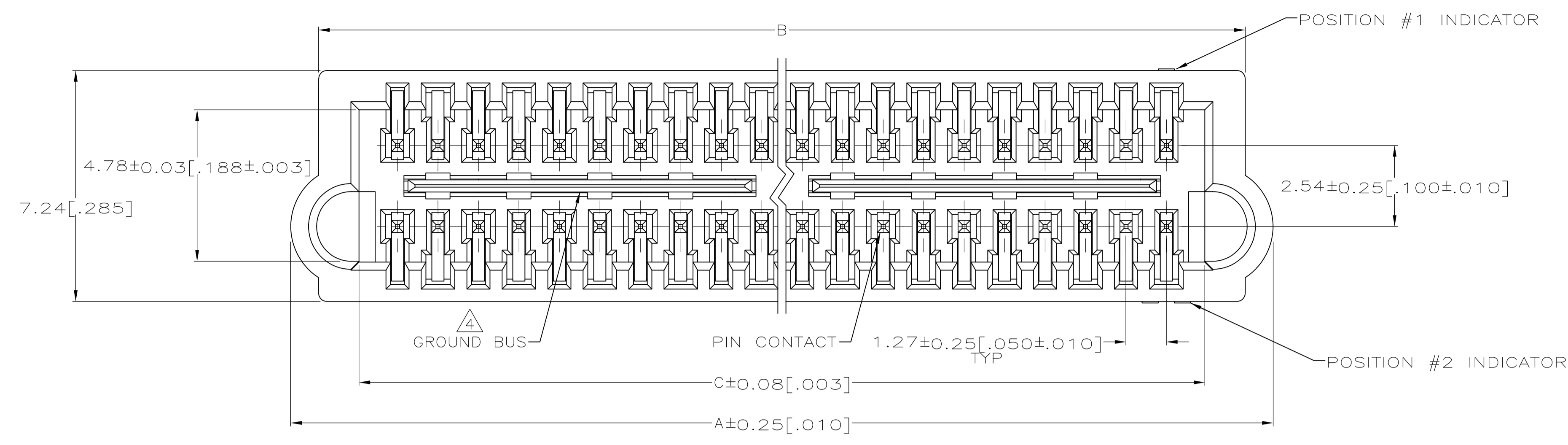
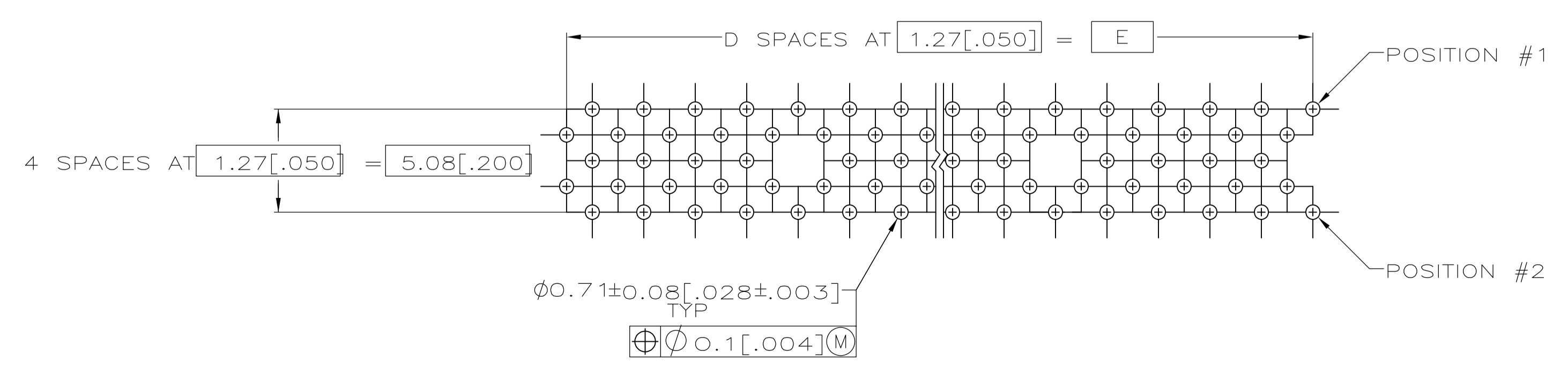
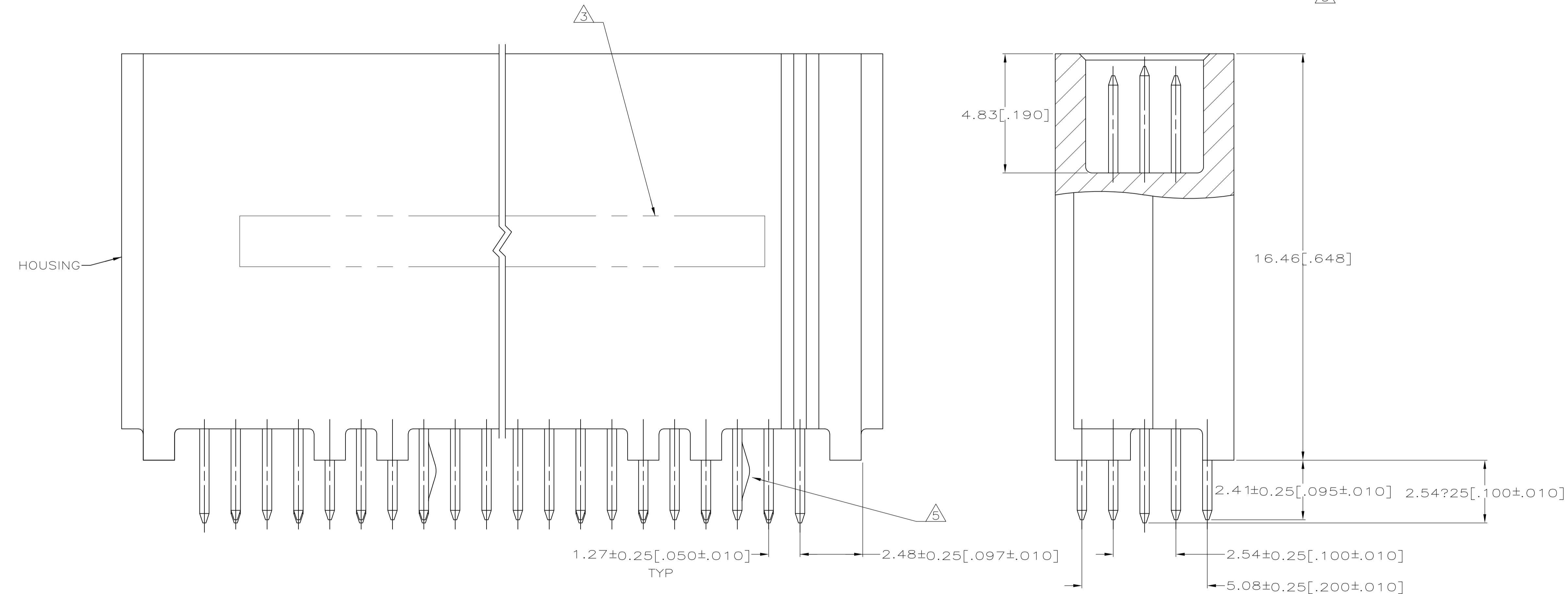


REVISIONS					
P	LTR	DESCRIPTION	DATE	OWN	APVD
B		REVISED PER ECO-16-010704	21JUL2016	SY	SY



- ① HOUSING: HIGH TEMPERATURE THERMOPLASTIC, COLOR NATURAL OR LIGHT NATURAL.
PIN CONTACTS: PHOSPHOR BRONZE.
GROUND BUSSES: PHOSPHOR BRONZE.
- ② PIN CONTACTS: 0.00076[.000030] MIN GOLD IN CONTACT AREA, 0.00254-0.00762[.000100-.000300] TIN-LEAD ON SOLDER TAIL, ALL OVER 0.00127-0.00254[.000050-.000100] NICKEL ON ENTIRE CONTACT.
- GROUND BUSSES: 0.00076[.000030] MIN GOLD IN CONTACT AREA, 0.00254-0.00762[.000100-.000300] TIN-LEAD ON SOLDER TAIL, ALL OVER 0.00127-0.00254[.000050-.000100] NICKEL ON ENTIRE BUS.
- ③ AMP, AMP PART NUMBER AND DATE CODE MARKED IN AREA INDICATED, ON SAME SIDE AS POSITION NUMBER 2 INDICATOR.
- ④ ONE GROUND BUS WITH 4 TAILS PER EACH 20 PIN CONTACTS.
- ⑤ FIRST TAIL FROM RIGHT OF EACH GROUND BUS IS KINKED.



RECOMMENDED PC BOARD HOLE LAYOUT (VIEWED FROM CONNECTOR SIDE)

62.23[2.450]	49	64.72[2.548]	67.31[2.650]	68.94[2.714]	100	149020-4												
E	D	C	B	A	NO OF POS	PART NUMBER												
THIS DRAWING IS A CONTROLLED DOCUMENT.			DIN J.GERACE 11-29-94		STE TE Connectivity													
DIMENSIONS: mm			TOLERANCES UNLESS OTHERWISE SPECIFIED:		APVD P.MATAR 11-29-94													
<table border="1"> <tr><td>0. PLC</td><td>± -</td></tr> <tr><td>1. PLC</td><td>± -</td></tr> <tr><td>2. PLC</td><td>± -</td></tr> <tr><td>3. PLC</td><td>± 0.1[.005]</td></tr> <tr><td>4. PLC</td><td>± -</td></tr> <tr><td>ANGLES</td><td>± -</td></tr> </table>			0. PLC	± -	1. PLC	± -	2. PLC	± -	3. PLC	± 0.1[.005]	4. PLC	± -	ANGLES	± -	APVD A.MONK 11-29-94		NAME	
0. PLC	± -																	
1. PLC	± -																	
2. PLC	± -																	
3. PLC	± 0.1[.005]																	
4. PLC	± -																	
ANGLES	± -																	
			PRODUCT SPEC		PLUG ASSY WITH KINKED GROUND BUS													
MATERIAL			FINISH		TAILS, 18.75 STACK, 2.41 TAIL, BTB, MICROSTRIP													
①			②		APPLICATION SPEC													
CUSTOMER DRAWING			WEIGHT 0.000000		SIZE													
SCALE 10:1			A1 00779		DRAWING NO													
SHEET 1 OF 1			C=149020		RESTRICTED TO													
REV B			149020		REV													