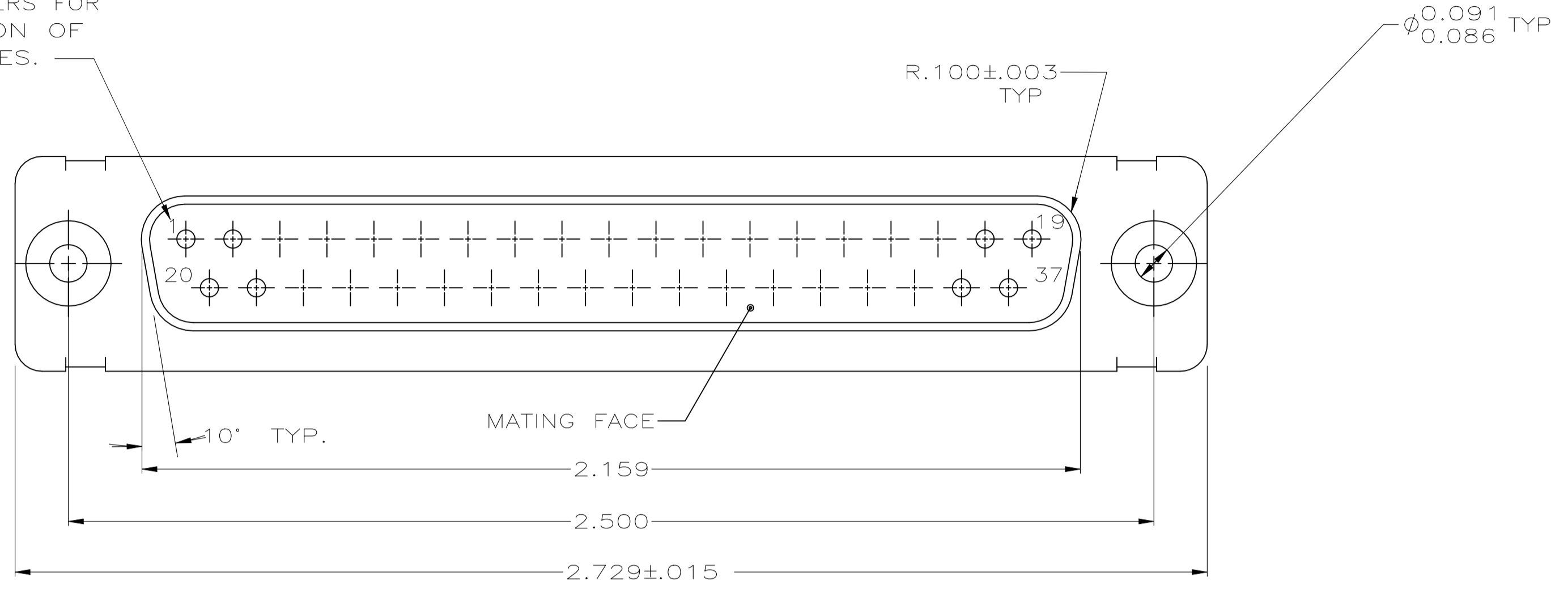
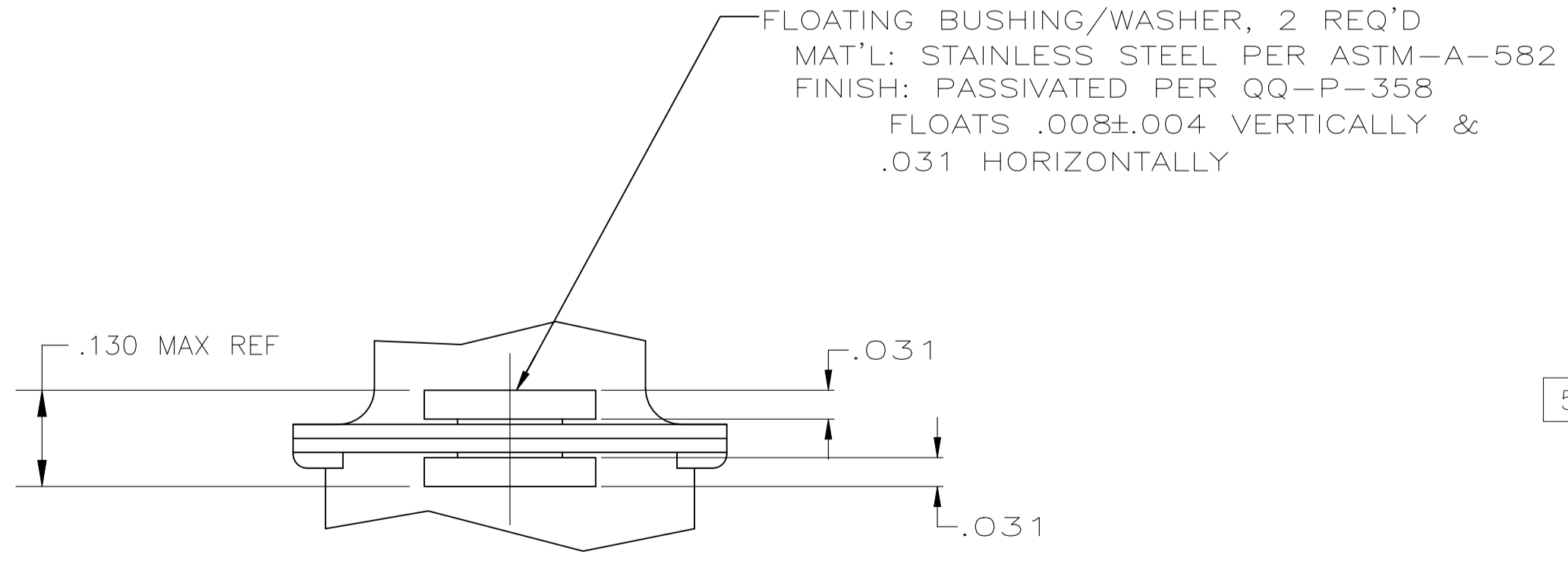
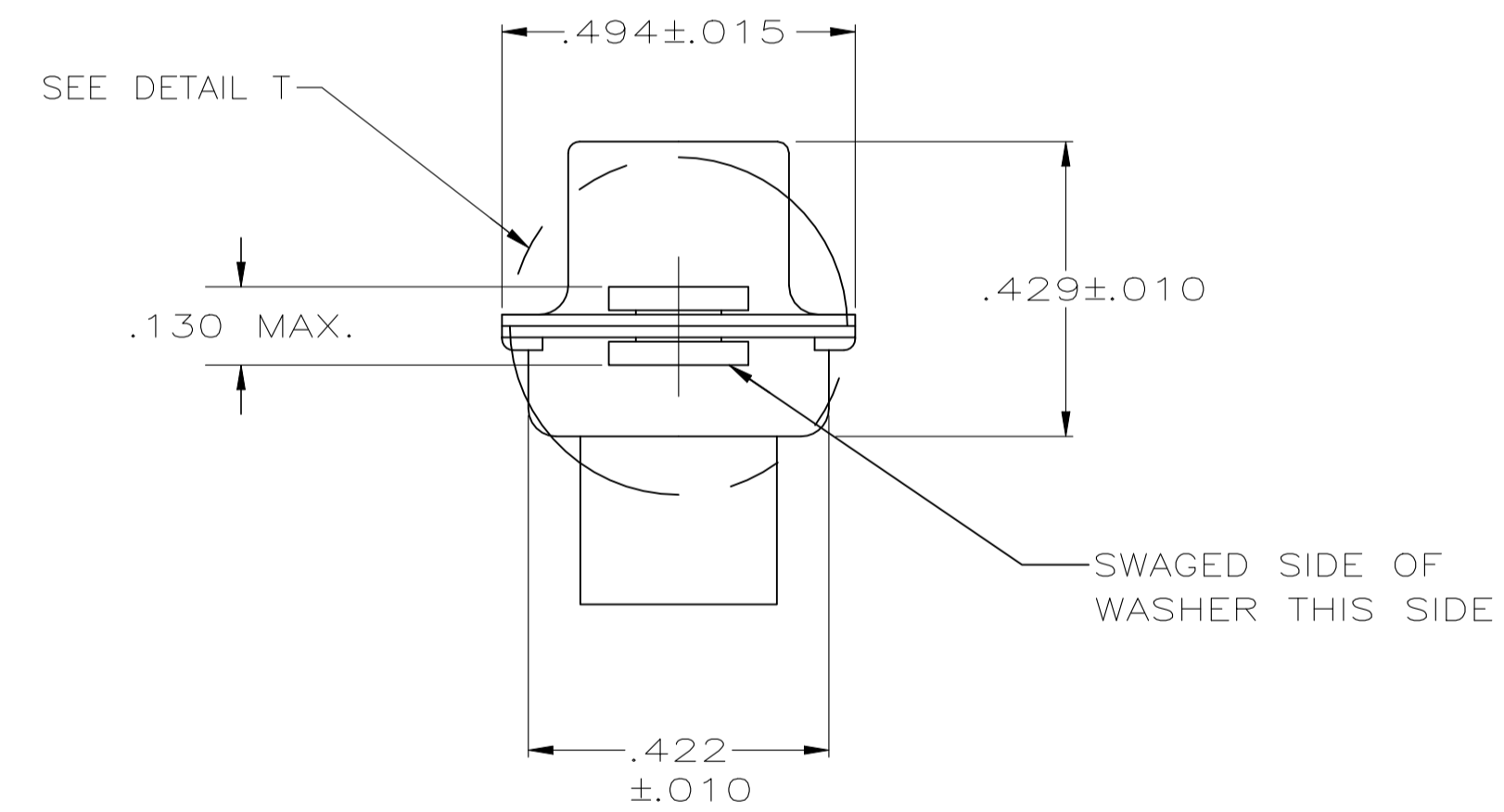
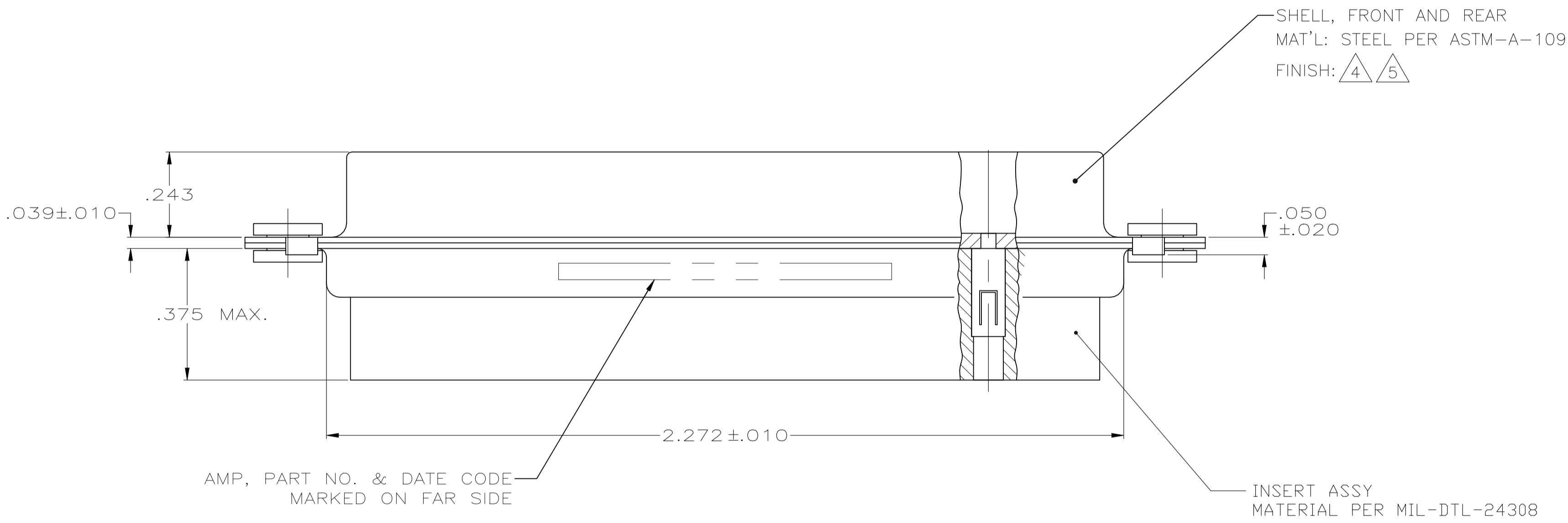


REVISIONS					
P	LTR	DESCRIPTION	DATE	DN	APVD
C		REVISED PER ECN-24-271179	17JUN2024	PE	DS

RAISED NUMBERS FOR IDENTIFICATION OF CIRCUIT HOLES.



1. MAXIMUM WIRE INSULATION TO BE USED WITH THIS PLUG IS .068 DIA.
2. STAINLESS STEEL RETENTION CLIPS ARE INCLUDED IN INSERTS.
3. THIS PLUG WILL ACCEPT SIZE 20 PIN CONTACT M39029/64-369 OR AMP PART NUMBER 205089-1.
4. FINISH: CADMIUM PER QQ-P-416
5. FINISH: ZINC PLATED PER ASTM-B-633, .000200-.000400 THK WITH SUPPLEMENTARY CHROMATE (Cr3+)



DETAIL T
SCALE 6:1

WARNING - THIS DOCUMENT CONTAINS TECHNOLOGY WHOSE EXPORT IS RESTRICTED BY THE EXPORT ADMINISTRATION REGULATIONS ("EAR") PURSUANT TO 15 C.F.R. PARTS 730-774. VIOLATIONS OF THE EAR ARE SUBJECT TO SEVERE CRIMINAL PENALTIES UNDER THE EXPORT CONTROL REFORM ACT, AS AMENDED (TITLE 50, U.S.C., SEC. 4801, ET SEQ.).

5-1484949-1 OBSOLETE	PLATED PER 5	5-1484949-1
	PLATED PER 4	1484949-1
DESCRIPTION		PART NUMBER

THIS DRAWING IS A CONTROLLED DOCUMENT.		DIN C.C.THOMAS 8-28-02	TE Connectivity
DIMENSIONS: INCHES		CHK D.MILLER 8-28-02	
TOLERANCES UNLESS OTHERWISE SPECIFIED:		APP'D D.MILLER 8-28-02	NAME
0. PLC ± -			RCPT. ASSEMBLY,AMPLIMITE
1. PLC ± -			37 POSN,SIZE 4, SERIES 109
2. PLC ± -			BLINDMATE, REVERSE GENDER
3. PLC ± .005			
4. PLC ± -			
ANGLES ± ° 10'			
MATERIAL SEE CALLOUTS	FINISH SEE CALLOUTS	WEIGHT	SIZE CAGE CODE DRAWING NO RESTRICTED TO
			A1 00779 C=1484949 -
CUSTOMER DRAWING		SCALE 4:1	SHEET 1 of 1 REV C