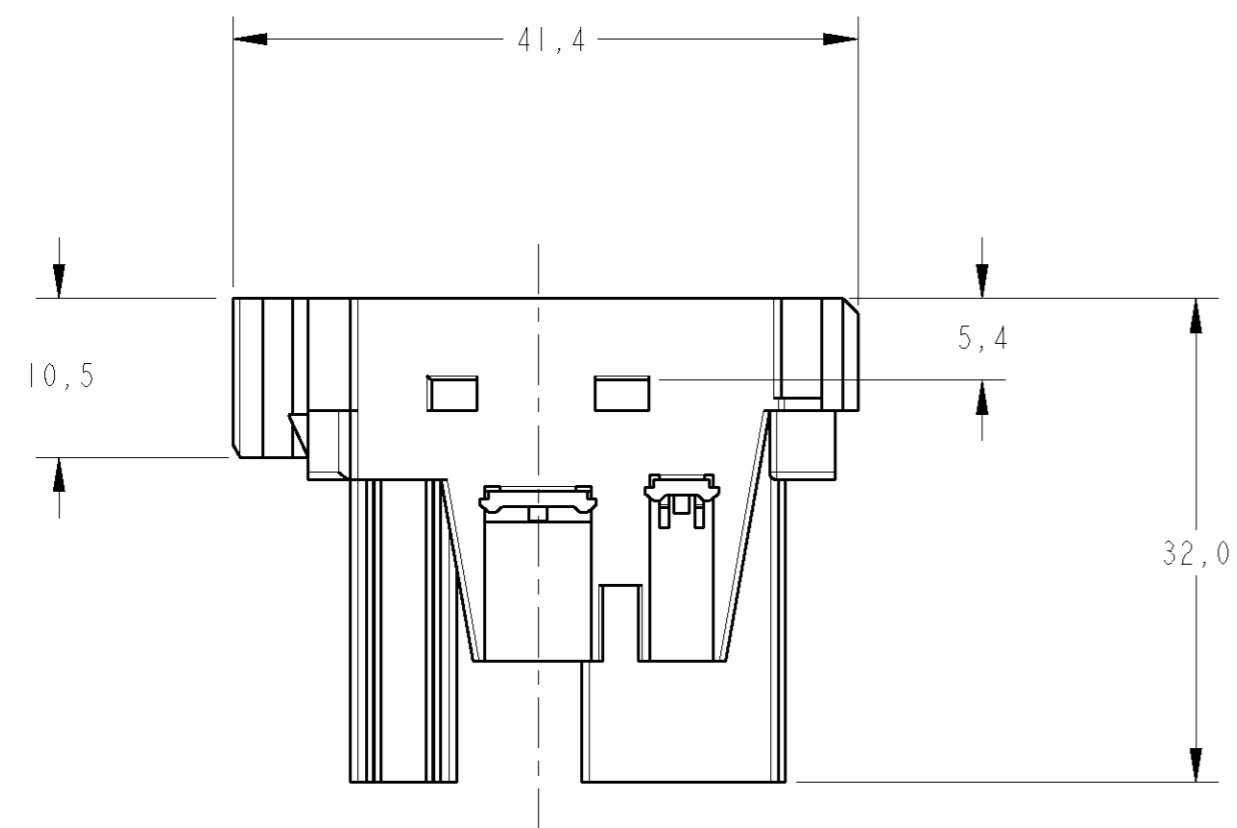
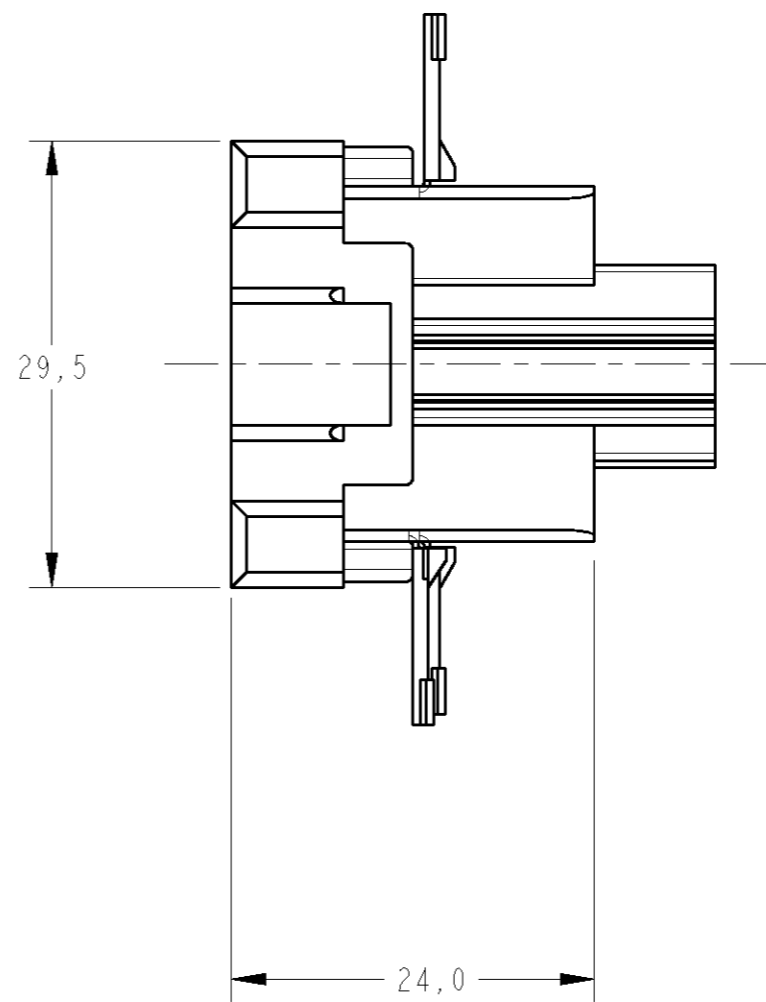
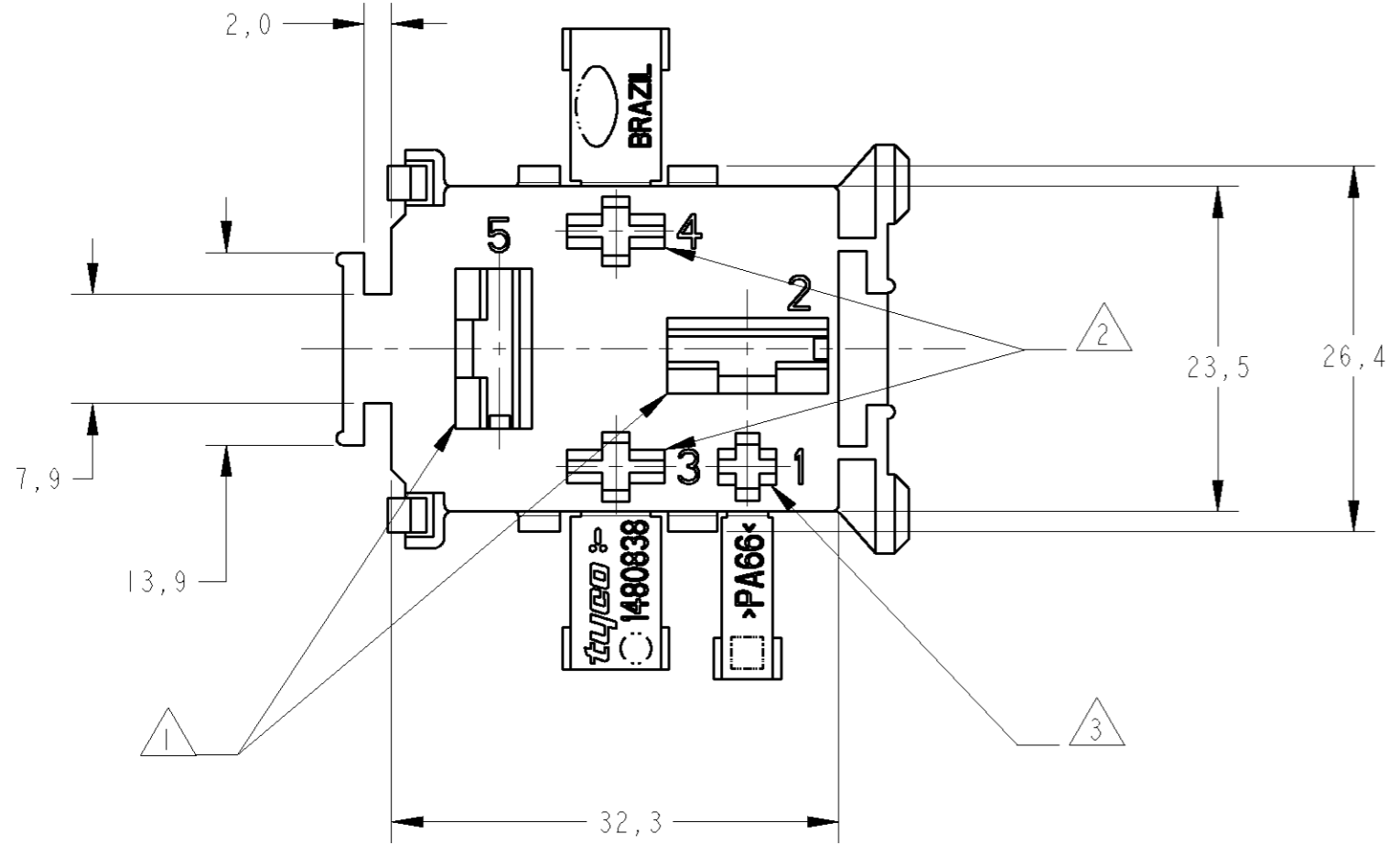
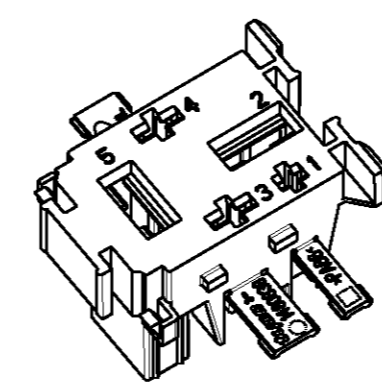


THIS DRAWING IS UNPUBLISHED. RELEASED FOR PUBLICATION 20
 © COPYRIGHT 2003 BY TYCO ELECTRONICS CORPORATION. ALL RIGHTS RESERVED.

LOC	DIST	REVISIONS					
AP	-	P	LTR	DESCRIPTION	DATE	DWN	APVD
		0		RELEASED	09SEP2003	AP	PLF
		A		NEW DASH ADDED	EC-240/04 26APR2004	MRB	PLF

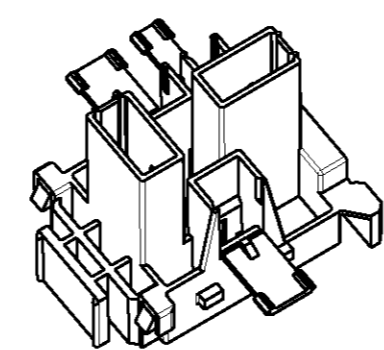


GRAVAÇÃO MARKING
LOGOTIPO TYCO TYCO LOGO
CÓDIGO PAÍS PRODUTOR MANUFACTURER COUNTRY CODE
NOMENCLATURA MATERIAL MATERIAL NOMENCLATURE
NÚMERO COMPONENTE TYCO TYCO COMPONENT NUMBER
NÚMERO CAVIDADE CAVITY NUMBER
LOGOTIPO CLIENTE CUSTOMER LOGO
IDENTIFICAÇÃO CIRCUITO CIRCUIT IDENTIFICATION
PAÍS PRODUTOR MANUFACTURER COUNTRY
REV+ LETRA REV.DA PEÇA REV.+ PART REV.LETTER



PERSPECTIVE VIEWS
SCALE 1:1

- ① - UTILIZAR TERMINAIS REC. FASTIN-ON .375 NESTAS CAVIDADES. / - USE ONLY FASTIN-ON .375 REC. CONTACTS IN THIS CAVITIES.
- ② - UTILIZAR TERMINAIS REC. SPT NESTAS CAVIDADES. / - USE ONLY SPT REC. CONTACTS IN THIS CAVITIES.
- ③ - UTILIZAR TERMINAL REC. JPT NESTA CAVIDADE. / - USE ONLY JPT REC. CONTACT IN THIS CAVITY.
- ④ - VERSÃO NEUTRA. / - NEUTRAL VERSION.



DIMENSIONS: mm		TOLERANCES UNLESS OTHERWISE SPECIFIED:		DWN A. PERUSSI 02JUL2003	TYCO ELECTRONICS do Brasil LTDA. São Paulo, Brasil
MATERIAL SEE TABLE		FINISH SEE TABLE		CHK P.L.FARIA 02JUL2003	
				APVD D.A.OLIVEIRA 02JUL2003	
				PRODUCT SPEC N/A	
				APPLICATION SPEC N/A	NAME HOUSING 5 POSN, COMBINED FASTIN-ON .375 + SPT + JPT, RCPT.
				WEIGHT -/-	SIZE A2
CUSTOMER DRAWING				SCALE 2:1	SHEET 1 OF 1
				REV A	RESTRICTED TO -/-

1480838