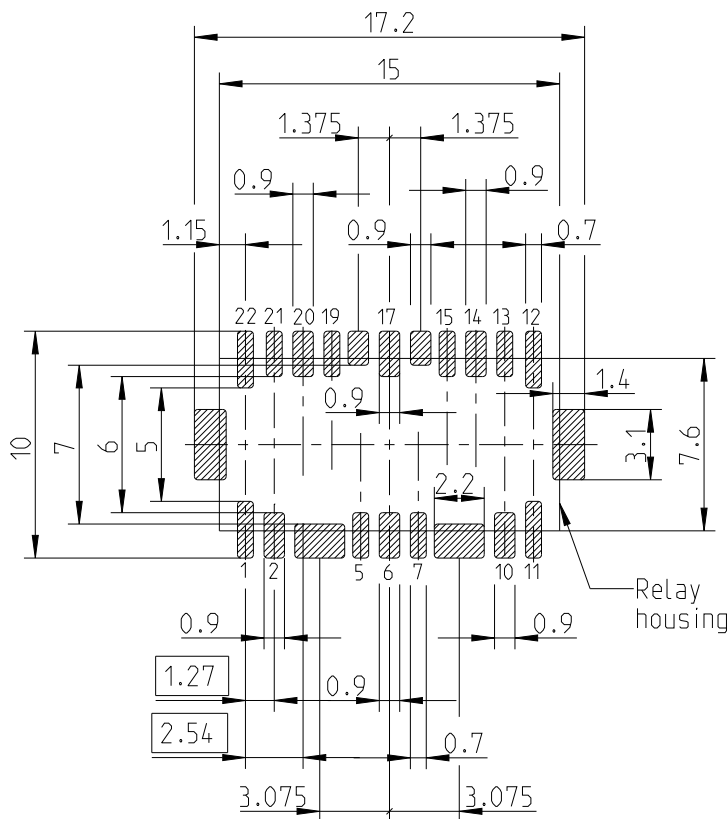
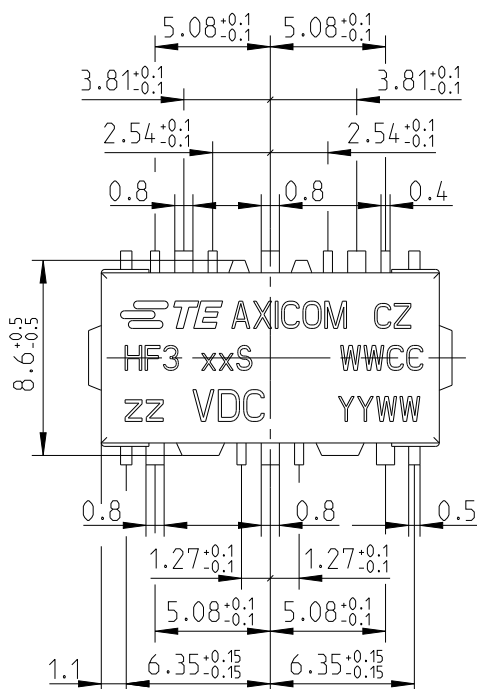
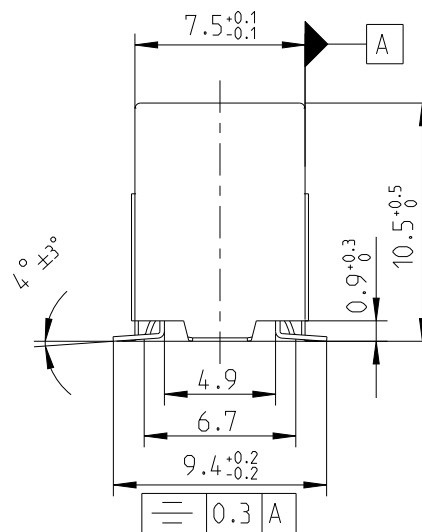
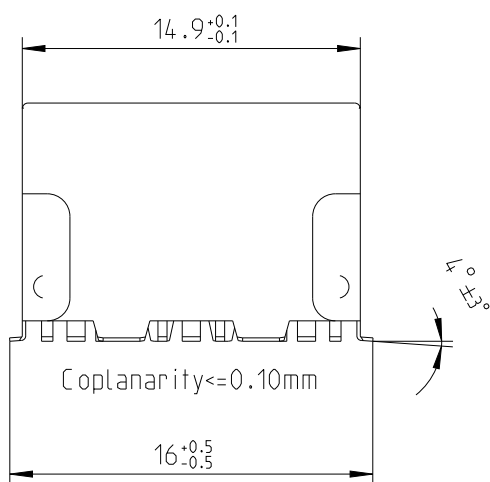


LOC	DIST	REVISIONS					
TU	-	P	LTR	DESCRIPTION	DATE	DWN	APVD
			F	Printing	09/07/2010	UKo	HD
			F1	REVISED PER ECO-11-005150	25/03/2011	RK	HD
			F2	REVISED PER ECO-11-017072 (ECR-13-009645)	14/06/2013	UKo	AK
			G	ECR-24-214819 (Update of customer drawings)	15/07/2024	LC	PH



xx = Relay type  
 zz = Nominal voltage  
 YYWW = Date code  
 WWCC = Lot number

2006  
 RELEASED FOR PUBLICATION  
 ALL RIGHTS RESERVED.  
 THIS DRAWING IS UNPUBLISHED.  
 © COPYRIGHT 2006 BY TE Connectivity

DIMENSIONS: mm	DWN UKo 9193	26JAN2007	MATERIAL	-	FINISH	-
	CHK HD 9121	26JAN2007	TE Connectivity			
TOLERANCES UNLESS OTHERWISE SPECIFIED: DIN 7168-m	APVD HD 9121	26JAN2007				
	PRODUCT SPEC	-	HF3-Relay metal cover 50Ω Dimensions			
0 PLC ±-	APPLICATION SPEC	-	SIZE	CAGE CODE	DRAWING NO	RESTRICTED TO
1 PLC ±-	WEIGHT	-	A 4	00779	©=1462051-3	-
2 PLC ±-	CUSTOMER DRAWING			SCALE	SHEET	OF
3 PLC ±-				3:1	1	1
4 PLC ±-				REV	G	
ANGLES ±-						