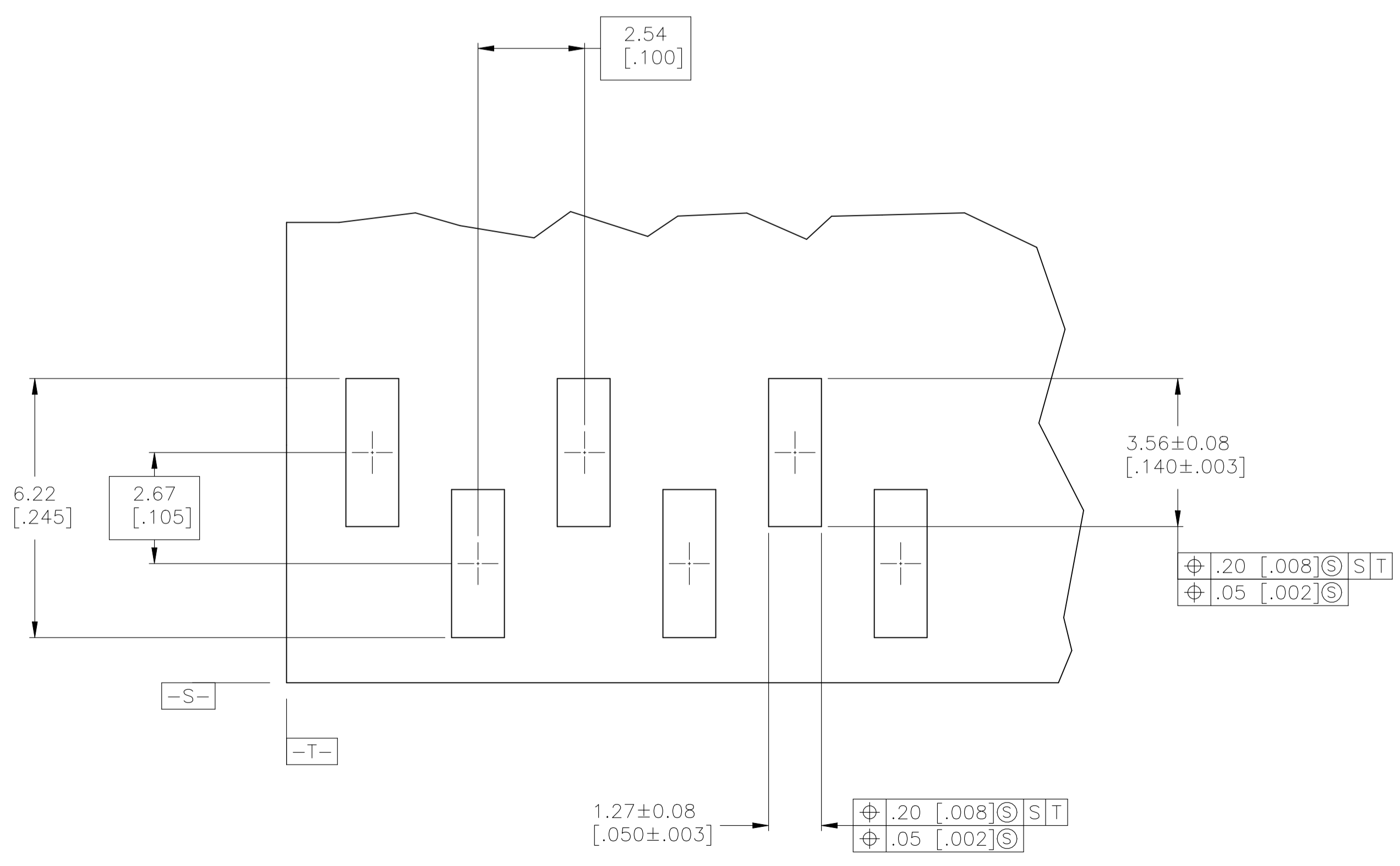
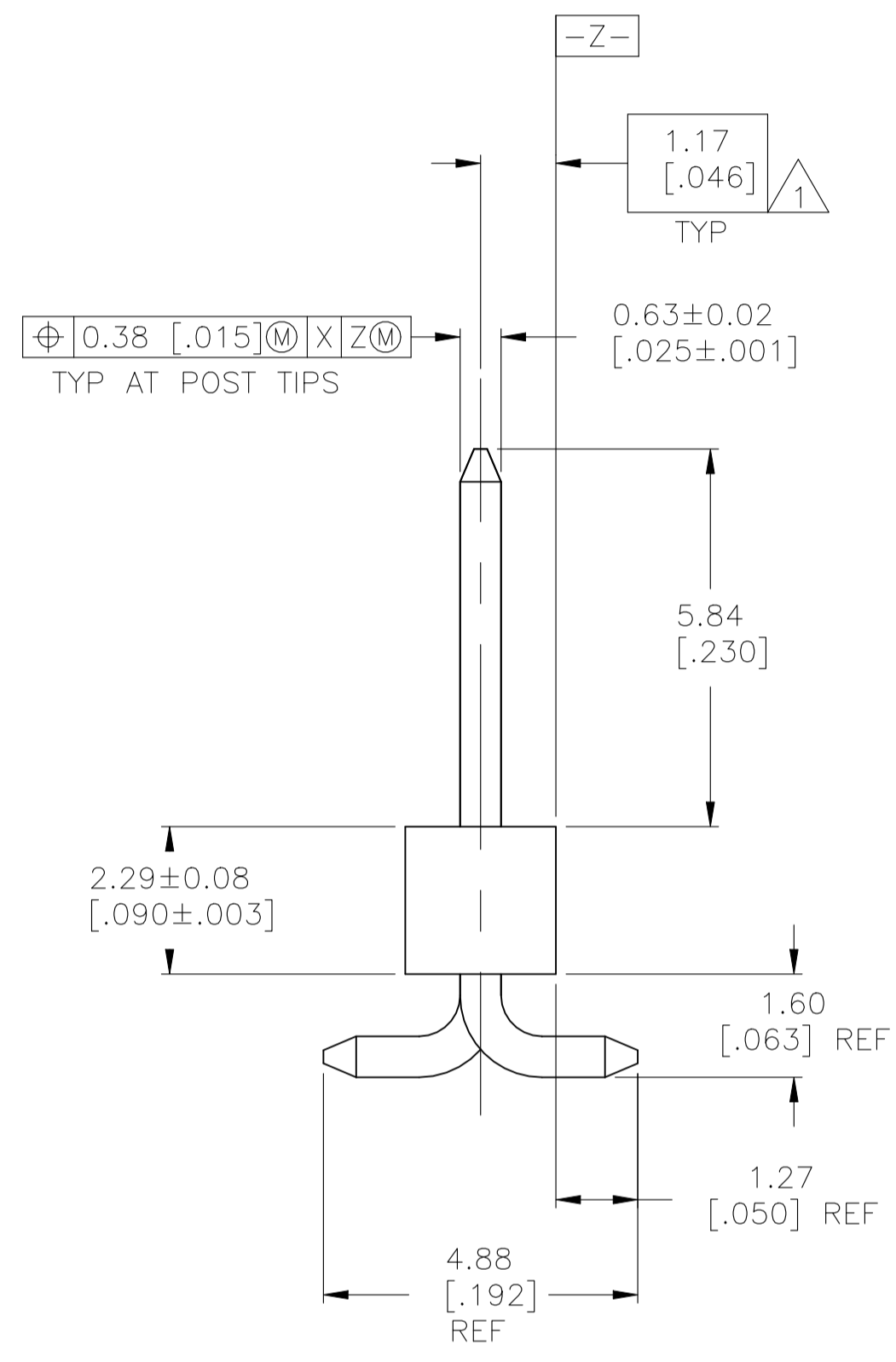
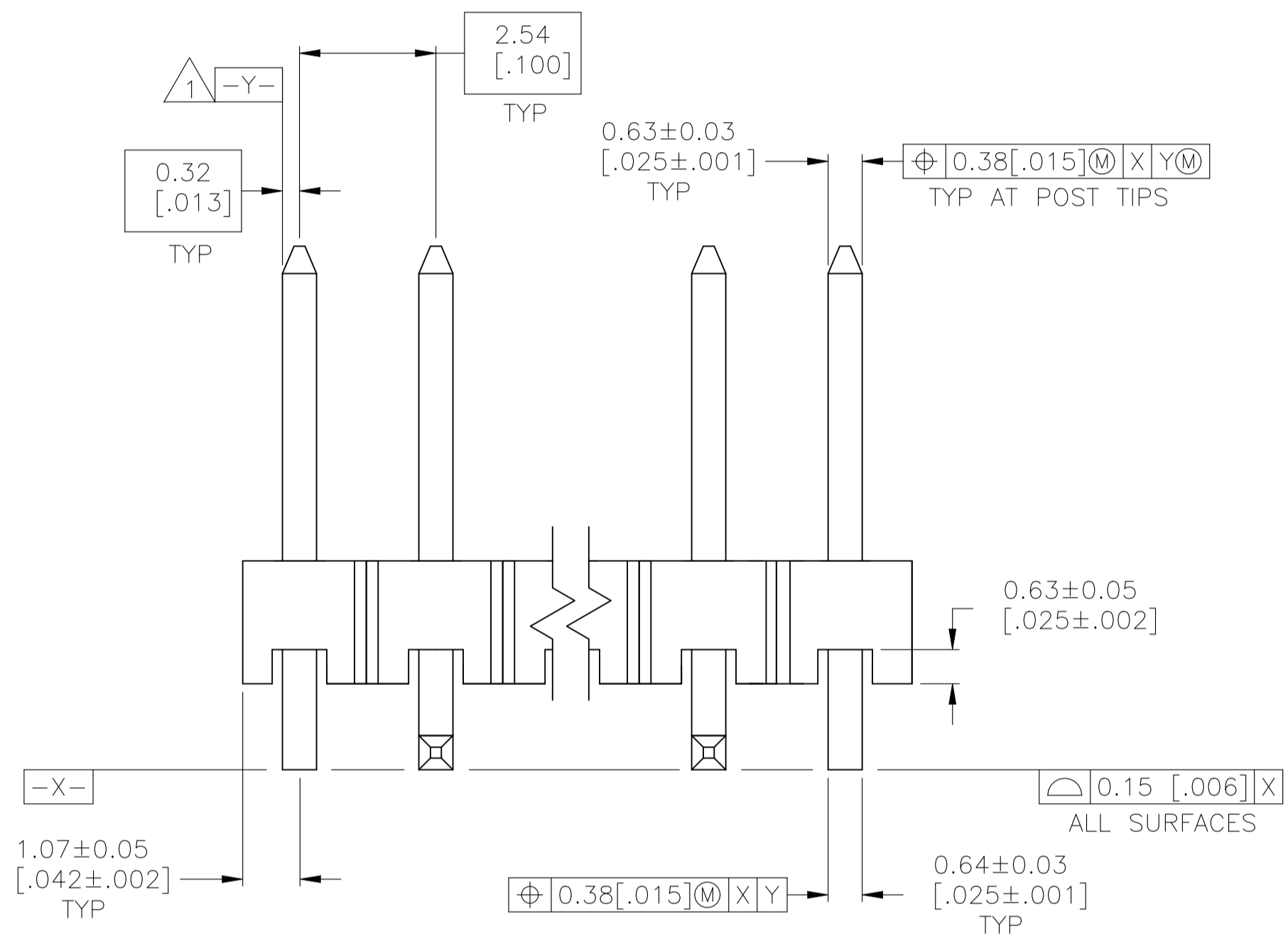
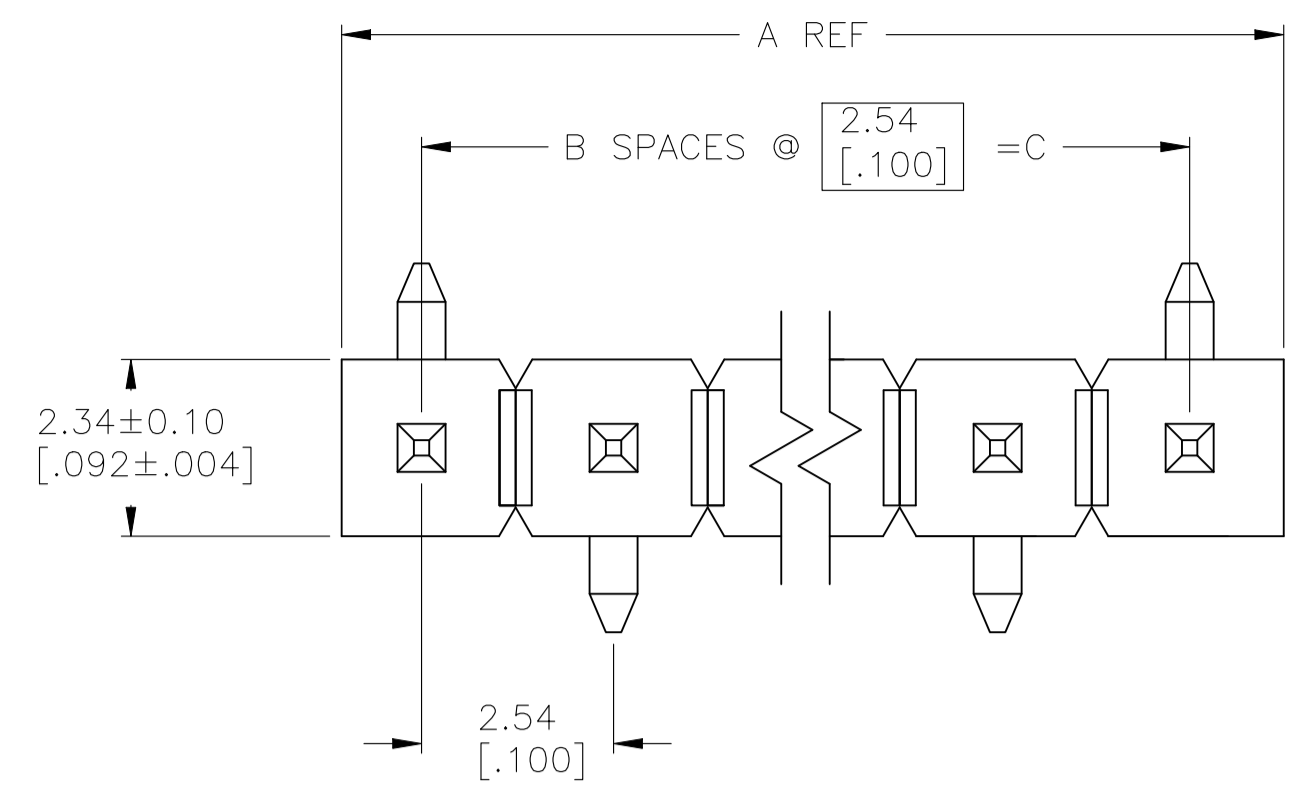


REVISIONS					
REV	DATE	BY	CHK	APPV	DESCRIPTION
N1	15JUL2022	RK	MF		REVISED PER ECN-22-164705



RECOMMENDED PCB LAYOUT FOR USE WITH .008 THICK STENCIL

- 1 THE NOTED DIMENSIONS APPLY AT THE INTERSECTION OF THE POST AND THE HOUSING
- 2 0.00254[.000100]-0.00508[.000200] MATTE TIN-LEAD OVER
0.00127[.000050] NICKEL ENTIRE POST
- 3 HOUSING: LCP, COLOR-BLACK
POSTS: COPPER ALLOY
- 4 0.00254[.000100]-0.00508[.000200] BRIGHT TIN OVER
0.00127[.000050] NICKEL ENTIRE POST.
- 5 PRELIMINARY PART - NOT RELEASED FOR PRODUCTION.
- 6 0.00254[.000100]-0.00508[.000200] MATTE TIN OVER
0.00127[.000050] NICKEL ENTIRE POST
- 7 OBSOLETE PARTS: OBSOLETE CIS STREAMLINING PER D.RENAUD/D.SINISI

6	35.56 [1.400]	14	37.69 [1.484]	15	6-146132-3
6	33.02 [1.300]	13	35.15 [1.384]	14	6-146132-2
6	30.48 [1.200]	12	32.61 [1.284]	13	6-146132-1
6	27.94 [1.100]	11	30.07 [1.184]	12	6-146132-0
6	25.40 [1.000]	10	27.53 [1.084]	11	5-146132-9
6	22.86 [0.900]	9	24.99 [0.984]	10	5-146132-8
6	20.32 [0.800]	8	22.45 [0.884]	9	5-146132-7
6	17.78 [0.700]	7	19.91 [0.784]	8	5-146132-6
6	15.24 [0.600]	6	17.37 [0.684]	7	5-146132-5
6	12.70 [0.500]	5	14.83 [0.584]	6	5-146132-4
6	10.16 [0.400]	4	12.29 [0.484]	5	5-146132-3
6	7.62 [0.300]	3	9.75 [0.384]	4	5-146132-2
6	5.08 [0.200]	2	7.21 [0.284]	3	5-146132-1
OBSOLETE	15.24 [0.600]	6	17.37 [0.684]	7	1-146132-5
OBSOLETE	35.56 [1.400]	14	37.69 [1.484]	15	1-146132-3
OBSOLETE	33.02 [1.300]	13	35.15 [1.384]	14	1-146132-2
OBSOLETE	30.48 [1.200]	12	32.61 [1.284]	13	1-146132-1
OBSOLETE	27.94 [1.100]	11	30.07 [1.184]	12	1-146132-0
OBSOLETE	25.40 [1.000]	10	27.53 [1.084]	11	146132-9
OBSOLETE	22.86 [0.900]	9	24.99 [0.984]	10	146132-8
OBSOLETE	20.32 [0.800]	8	22.45 [0.884]	9	146132-7
OBSOLETE	17.78 [0.700]	7	19.91 [0.784]	8	146132-6
OBSOLETE	15.24 [0.600]	6	17.37 [0.684]	7	146132-5
OBSOLETE	12.70 [0.500]	5	14.83 [0.584]	6	146132-4
OBSOLETE	10.16 [0.400]	4	12.29 [0.484]	5	146132-3
OBSOLETE	7.62 [0.300]	3	9.75 [0.384]	4	146132-2
OBSOLETE	5.08 [0.200]	2	7.21 [0.284]	3	146132-1

7 SUPERSEDED BY 5-146132-3

THIS DRAWING IS A CONTROLLED DOCUMENT.

DIMENSIONS: mm [INCHES]	TOLERANCES UNLESS OTHERWISE SPECIFIED:	DIN J. KNOUB 09SEP94	CHK: G. DUBNICZKI 09SEP94	APPRO: G. DUBNICZKI 09SEP94	NAME: SURFACE MOUNT HEADER ASSY, MOD II, B/A, VERT, SINGLE ROW, .100 C/L .025 SQ. POST
0. PLC ± .01	1. PLC ± .005	2. PLC ± .002	3. PLC ± .001	4. PLC ± .0005	ANGLES ± *0' 30"
MATERIAL: 3	FINISH: SEE TABLE	WEIGHT: --	SIZE: A1	CAGE CODE: 00779	DRAWING NO: 146132
CUSTOMER DRAWING			SCALE: 10:1	SHEET: 1 of 1	REV: N1