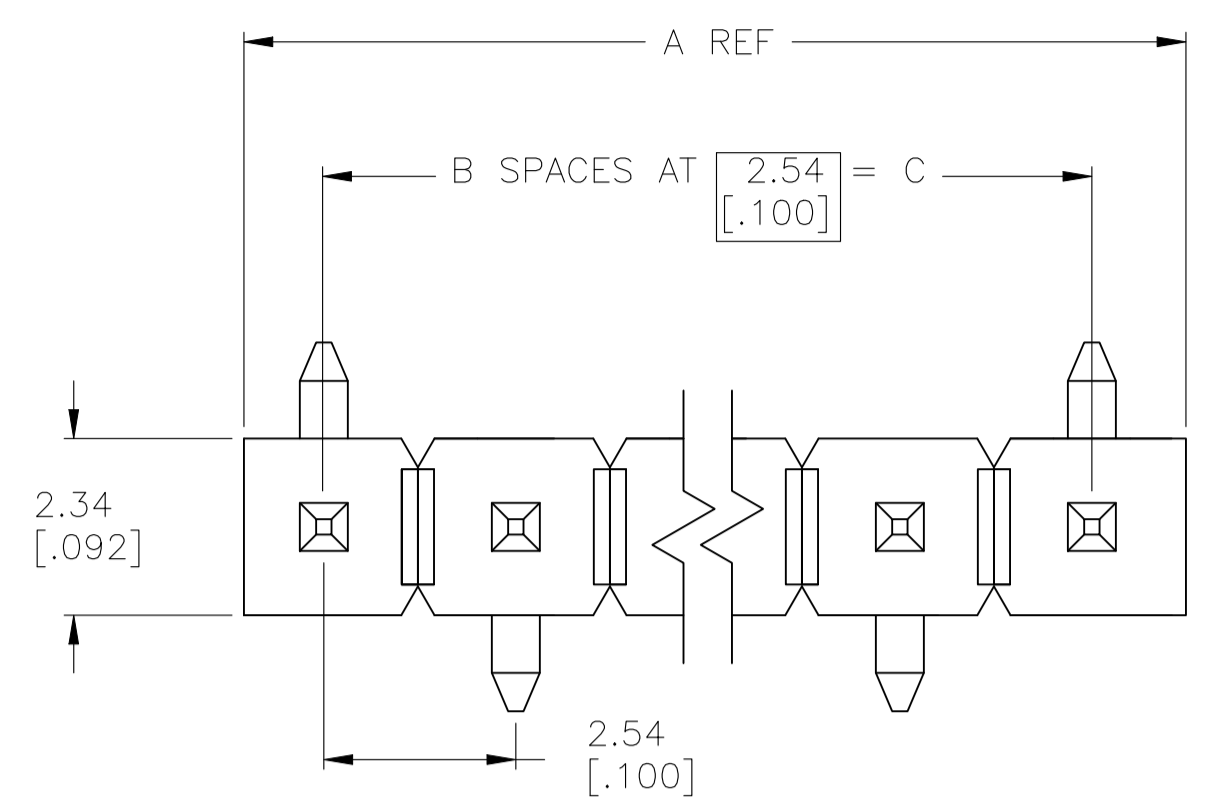
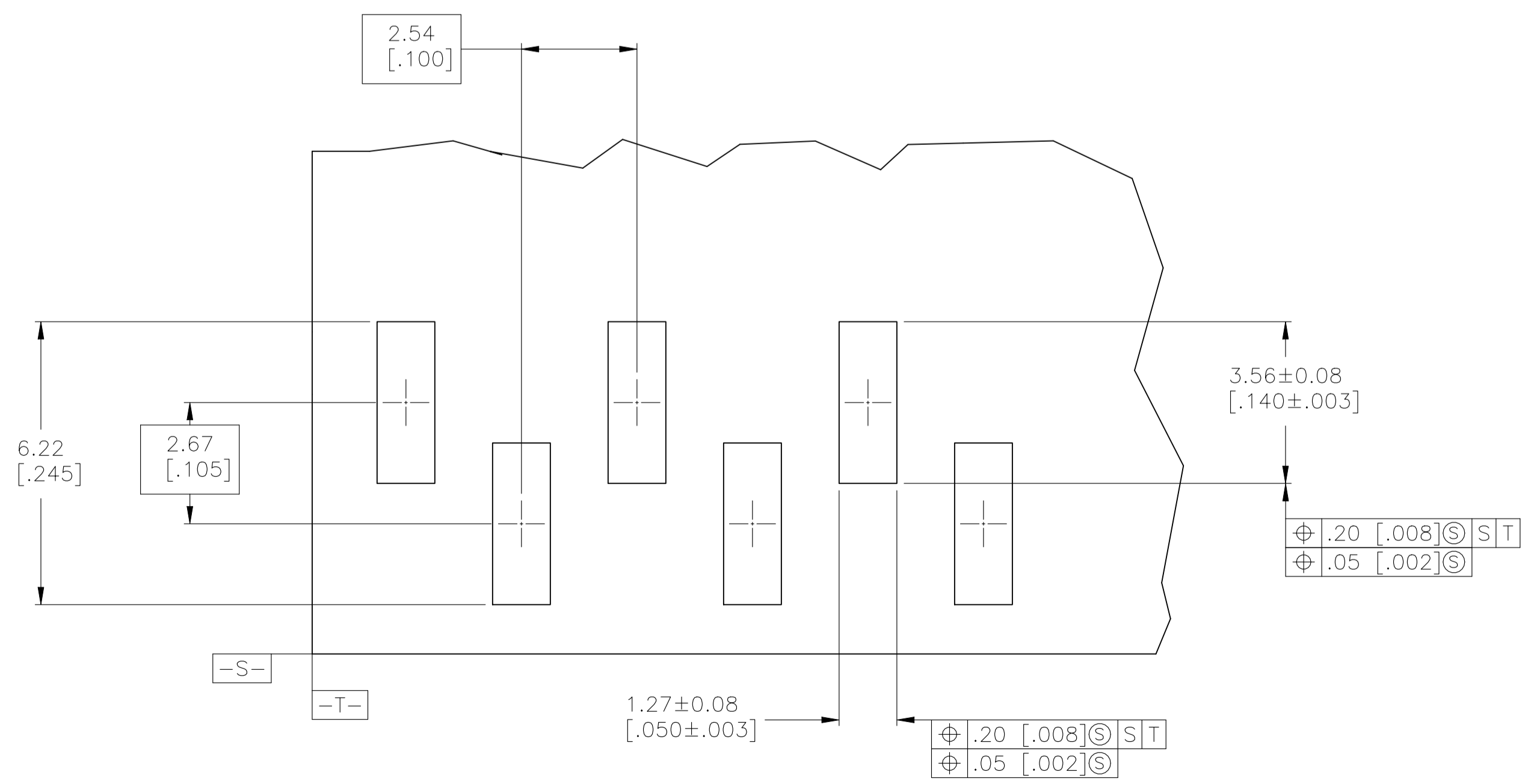
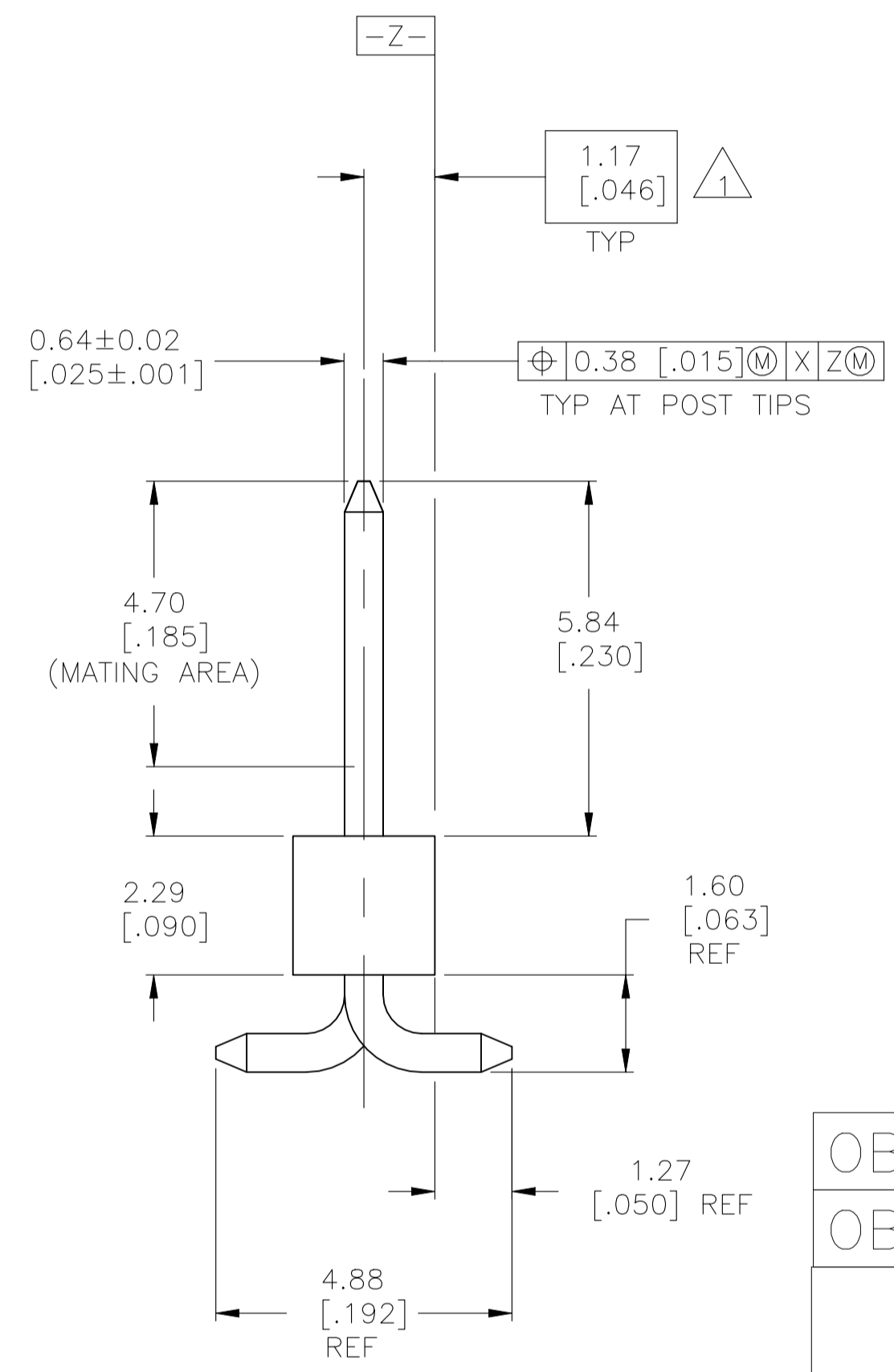
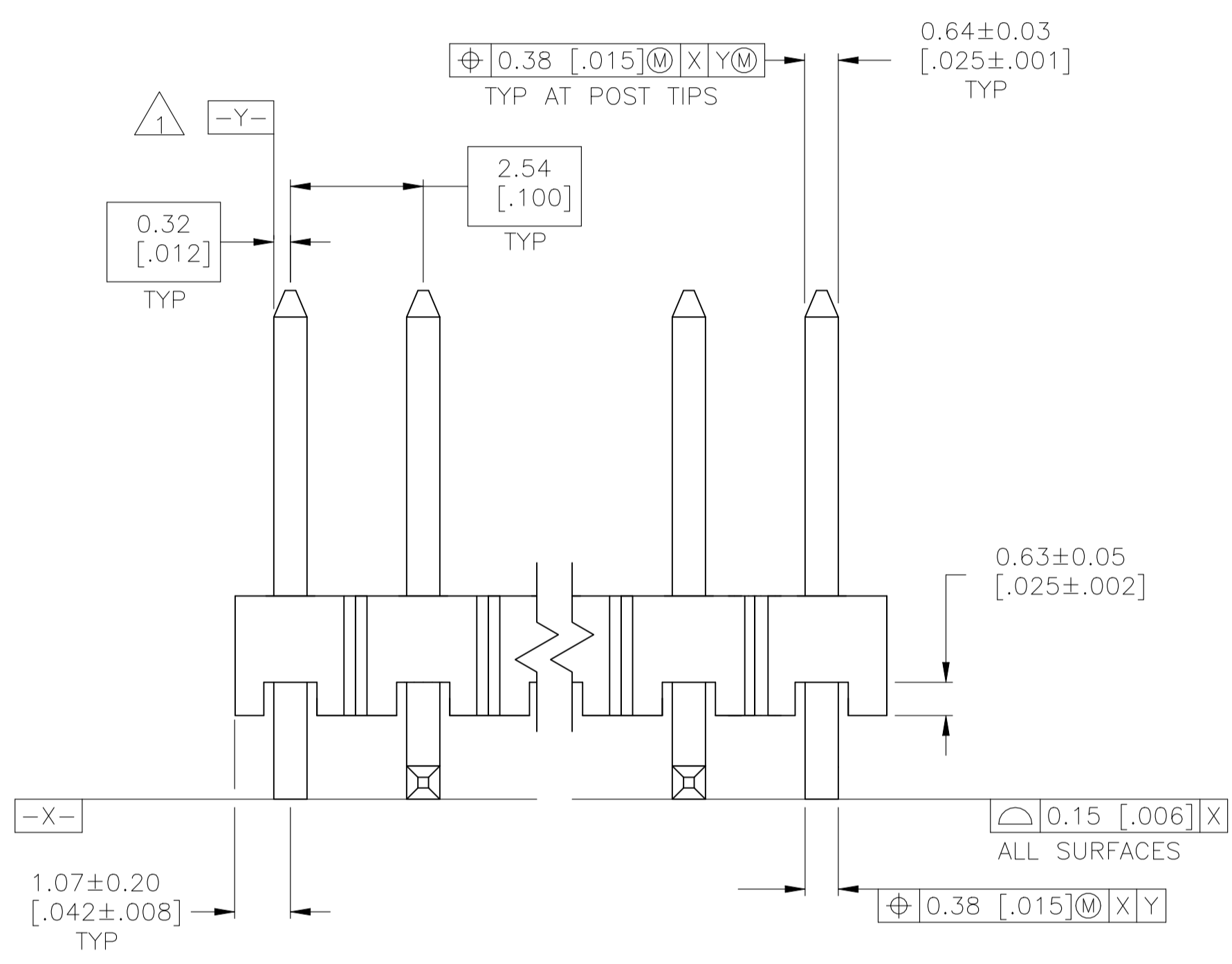


REVISIONS					
REV	DATE	DESCRIPTION	BY	CHK	APPV
L1	15JUL2022	REVISED PER ECN-22-164704	RK	MF	



- 1 THE NOTED DIMENSIONS APPLY AT THE INTERSECTION OF THE POST AND THE HOUSING.
- 2 0.000762[.000030] GOLD ON CONTACT AREA, 0.00254[.000100]-0.00508[.000200] MATTE TIN-LEAD ON SOLDER TAIL, ALL OVER 0.00127[.000050] NICKEL.
- 3 HOUSING: LCP, COLOR-BLACK. POSTS: COPPER ALLOY.
- 4 0.000762[.000030] GOLD ON CONTACT AREA, 0.00254[.000100]-0.00508[.000200] MATTE TIN ON SOLDER TAIL, ALL OVER 0.00127[.000050] NICKEL.
- 5 OBSOLETE PARTS: OBSOLETE CIS STREAMLINING PER D.RENAUD/D.SINISI



RECOMMENDED PCB LAYOUT FOR USE WITH .008 THICK STENCIL

4	35.56 [1.400]	14	35.69 [1.484]	15	6-146128-3
4	33.02 [1.300]	13	33.15 [1.384]	14	6-146128-2
4	30.48 [1.200]	12	30.61 [1.284]	13	6-146128-1
4	27.94 [1.100]	11	28.07 [1.184]	12	6-146128-0
4	25.40 [1.000]	10	27.53 [1.084]	11	5-146128-9
4	22.86 [0.900]	9	24.99 [0.984]	10	5-146128-8
4	20.32 [0.800]	8	22.45 [0.884]	9	5-146128-7
4	17.78 [0.700]	7	19.91 [0.784]	8	5-146128-6
4	15.24 [0.600]	6	17.37 [0.684]	7	5-146128-5
4	12.70 [0.500]	5	14.83 [0.584]	6	5-146128-4
4	10.16 [0.400]	4	12.29 [0.484]	5	5-146128-3
4	7.62 [0.300]	3	9.75 [0.384]	4	5-146128-2
4	5.08 [0.200]	2	7.21 [0.284]	3	5-146128-1
OBSOLETE	35.56 [1.400]	14	35.69 [1.484]	15	1-146128-3
OBSOLETE	33.02 [1.300]	13	33.15 [1.384]	14	1-146128-2
OBSOLETE	30.48 [1.200]	12	30.61 [1.284]	13	1-146128-1
OBSOLETE	27.94 [1.100]	11	28.07 [1.184]	12	1-146128-0
OBSOLETE	25.40 [1.000]	10	27.53 [1.084]	11	1-146128-9
OBSOLETE	22.86 [0.900]	9	24.99 [0.984]	10	1-146128-8
OBSOLETE	20.32 [0.800]	8	22.45 [0.884]	9	1-146128-7
OBSOLETE	17.78 [0.700]	7	19.91 [0.784]	8	1-146128-6
OBSOLETE	15.24 [0.600]	6	17.37 [0.684]	7	1-146128-5
OBSOLETE	12.70 [0.500]	5	14.83 [0.584]	6	1-146128-4
OBSOLETE	10.16 [0.400]	4	12.29 [0.484]	5	1-146128-3
OBSOLETE	7.62 [0.300]	3	9.75 [0.384]	4	1-146128-2
OBSOLETE	5.08 [0.200]	2	7.21 [0.284]	3	1-146128-1

THIS DRAWING IS A CONTROLLED DOCUMENT.

DIMENSIONS: mm [INCHES]

TOLERANCES UNLESS OTHERWISE SPECIFIED:

0. PLC	± .005
1. PLC	± .005
2. PLC	± .005
3. PLC	± .005
4. PLC	± .005
ANGLES	± .005

MATERIAL: 3 SEE TABLE

WEIGHT: --

CUSTOMER DRAWING

DIN J. KNAUB 30-09-94
CHK G. DUBNICZKI 30-09-94
APPV G. DUBNICZKI 30-09-94

NAME: SURFACE MOUNT HEADER ASSY, MOD II, B/A, VERT, SR, .100 X.100 C/L .025 SQ.POST

SIZE: A1

SCALE: 10:1

SHEET 1 of 1

REV L1