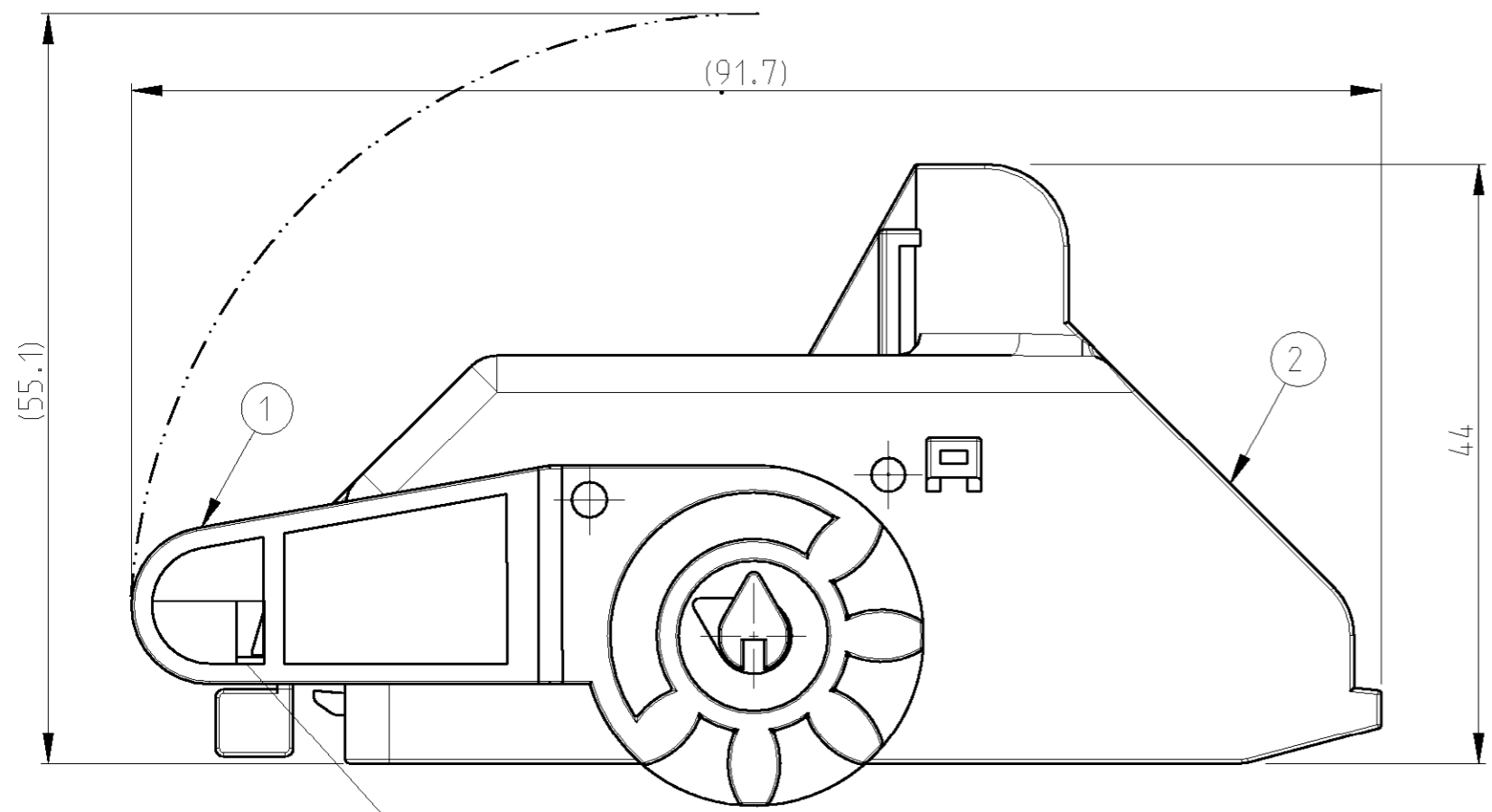
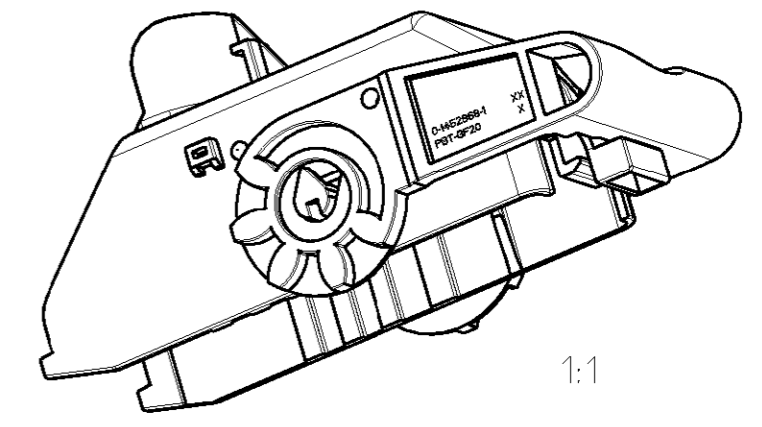


THIS DRAWING IS UNPUBLISHED
 RELEASED FOR PUBLICATION
 2003
 © COPYRIGHT 2003 BY TYCO ELECTRONICS CORPORATION. ALL RIGHTS RESERVED.

LOC	DIST	REVISIONS					
		P	LTR	DESCRIPTION	DATE	DWN	APVD
A	-		A	EGA0-0805-04	31MAR2004	M.K.	K.R.
			B	ECR-05-016201	22NOV2005	GP	GM



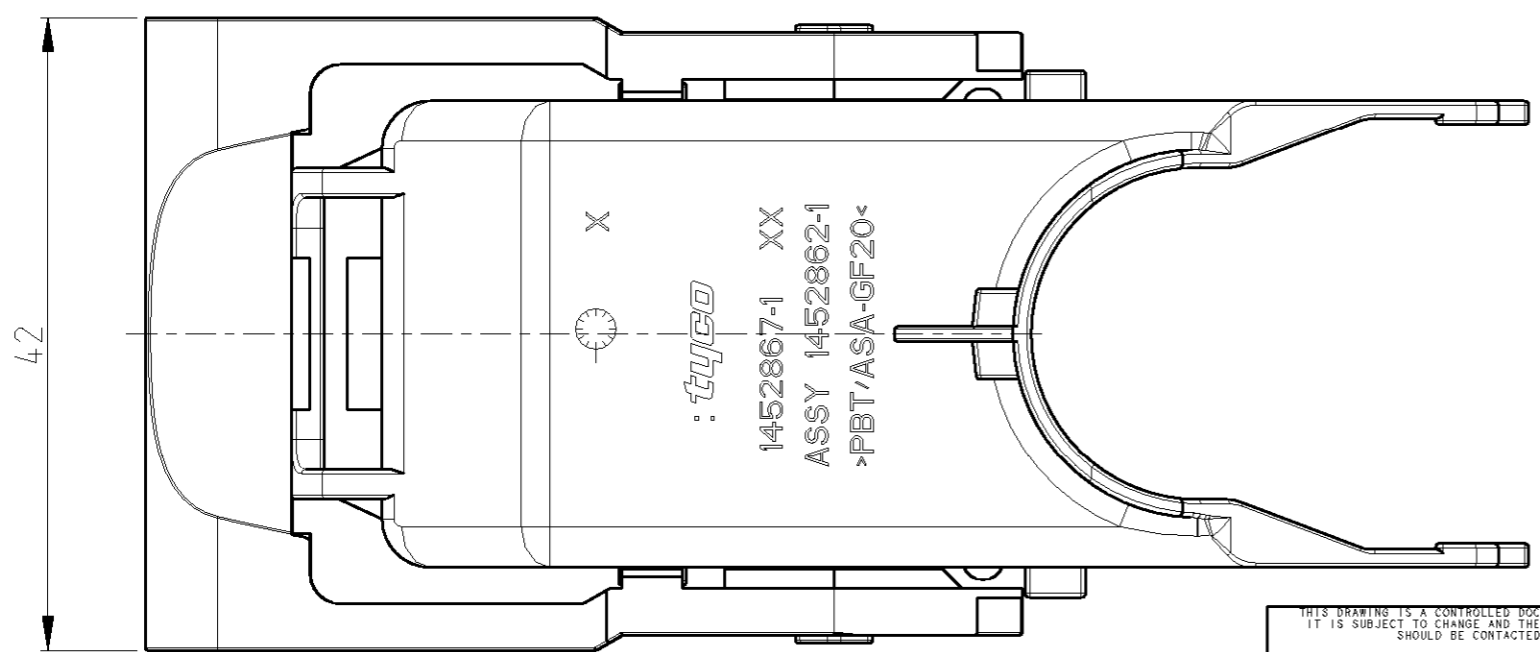
ENDLOCKPOSITION
 Endraststellung



1:1

NOTES:
 Bemerkungen:

ASSY DELIVERED WITH LEVER IN ENDOCKED POSITION
 Anlieferungszustand: Hebel in Endraststellung



1452862-1	PBT/ASA-GF20	96 POS. CON. COVER	BLACK	1	2
	PBT-GF20	96 POS. CON. LEVER	RED	1	1
PART NO	MATERIAL	DESCRIPTION	COLOUR	QTY.	ITEM NO

THIS DRAWING IS A CONTROLLED DOCUMENT FOR TYCO ELECTRONICS CORPORATION
 IT IS SUBJECT TO CHANGE AND THE CONTROLLING ENGINEERING ORGANIZATION
 SHOULD BE CONTACTED FOR THE LATEST REVISION.

DIMENSIONS:		TOLERANCES UNLESS OTHERWISE SPECIFIED:	
mm			
	0 PLC	±0,5	
	1 PLC	±0,5	
	2 PLC	±0,5	
	3 PLC	±	
	4 PLC	±	
	ANGLES	±1°	
MATERIAL	FINISH		

DWN	31MAR2004	tyco Electronics AMP GmbH D - 64625 Bensheim	
CHK	M. Kressmann		
APVD	K.-H. Roth		
PRODUCT SPEC	G. Mumper		
APPLICATION SPEC		NAME	96 POS. CONNECTOR COVER 180 ASSY
WEIGHT		SIZE	A3
CUSTOMER DRAWING		CAGE CODE	00779
		DRAWING NO	C=1452862
		RESTRICTED TO	
		SCALE	2:1
		SHEET	1 OF 1
		REV	B