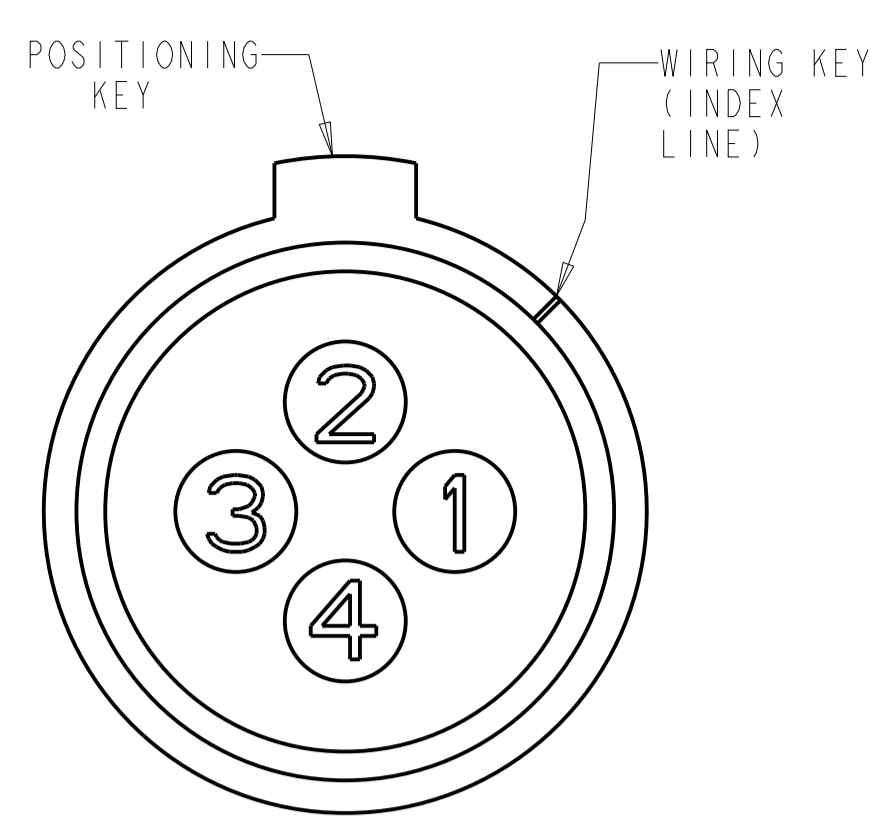
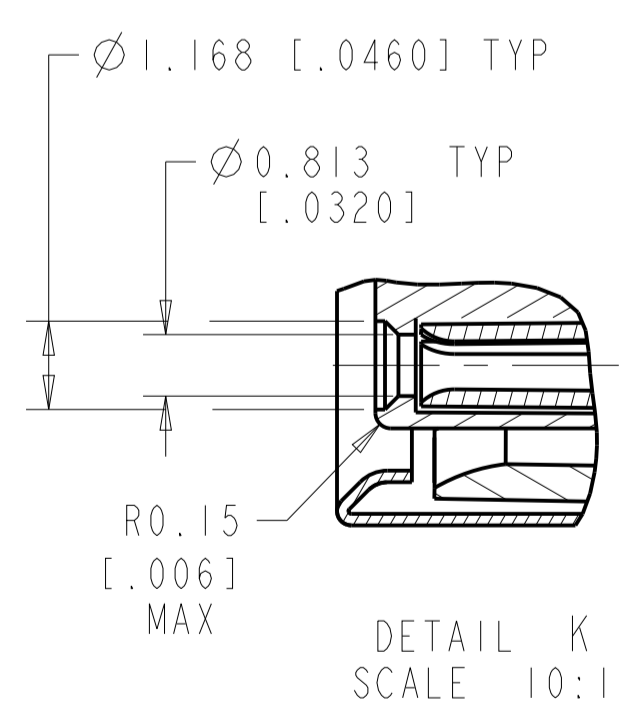
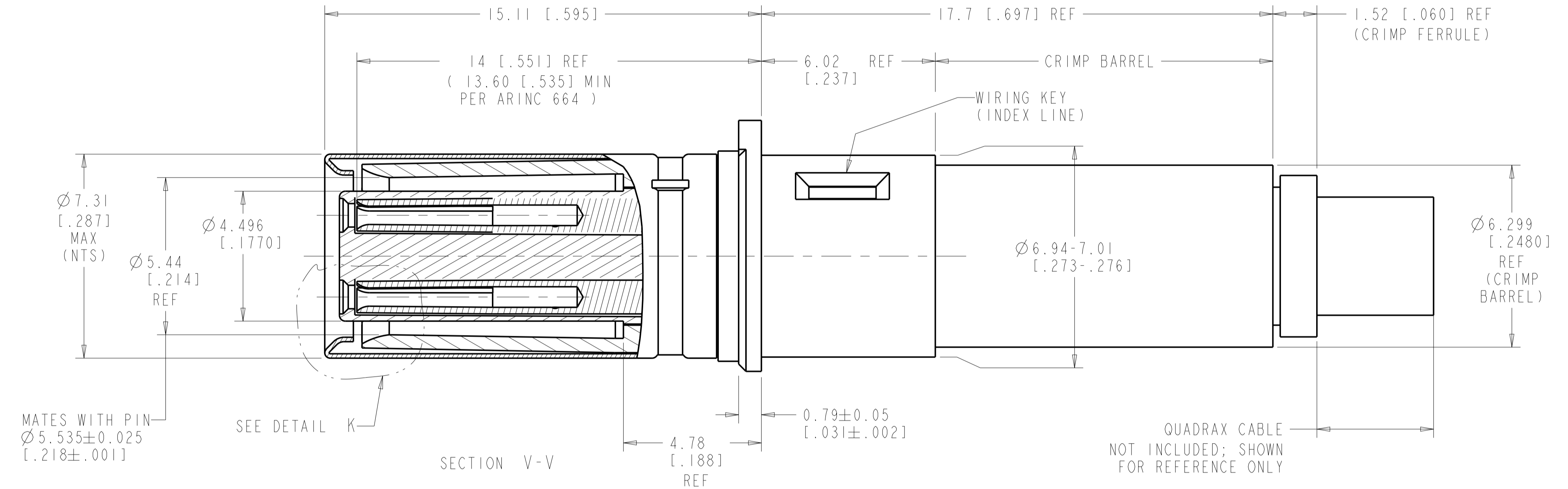
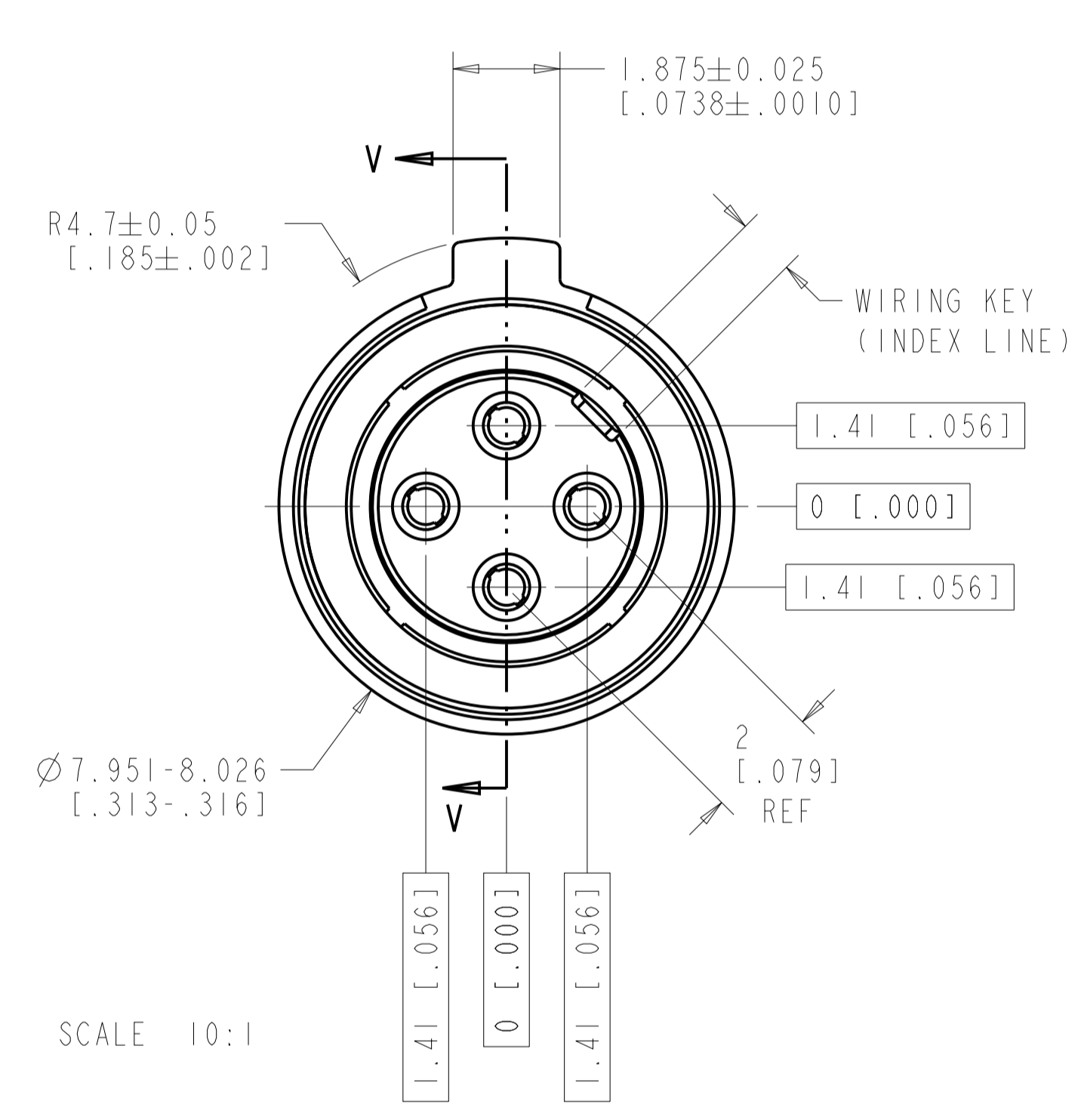
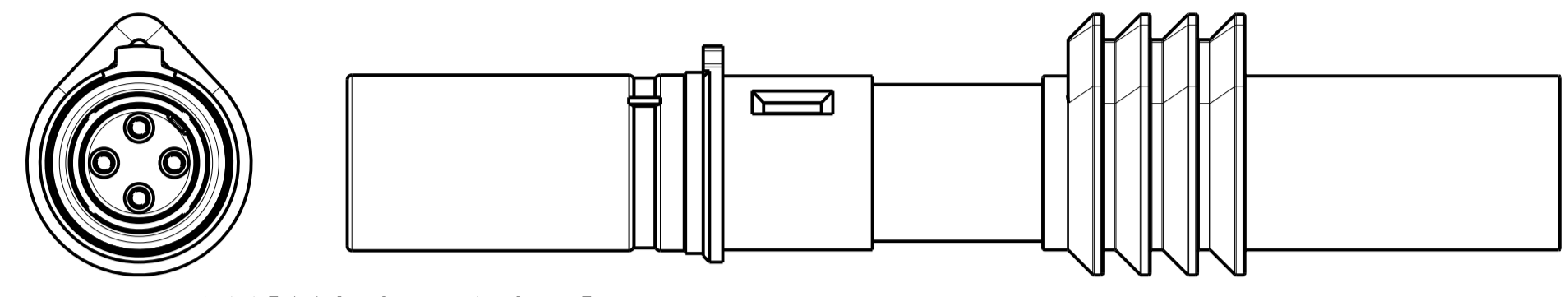
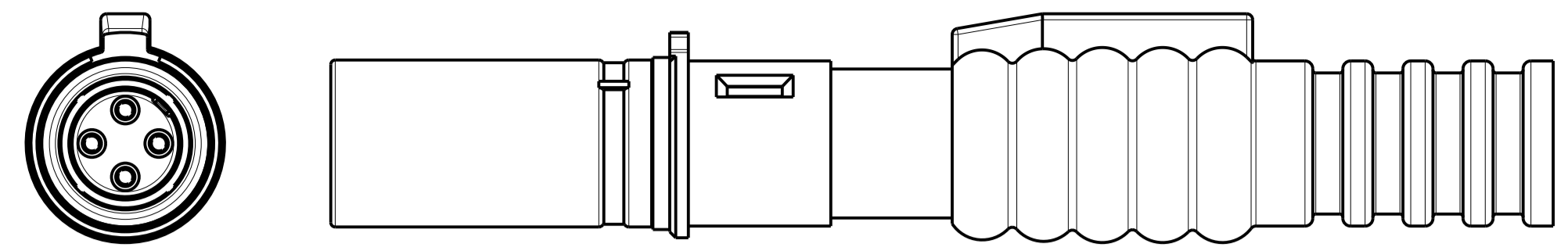


| REVISIONS |     |                       |         |       |
|-----------|-----|-----------------------|---------|-------|
| P.        | LTM | DESCRIPTION           | DATE    | APVD  |
| K         |     | REV PER ECO 14-011279 | 10-7-14 | CT DM |



CONTACT CAVITY NUMBERING  
STANDARD CAVITY NUMBER ASSIGNMENT



- COMPONENTS ARE PACKAGED IN KIT FORM. CABLE MUST BE PURCHASED SEPARATELY.
- ASSEMBLY PER APPLICATION SPECIFICATION 114-13123.
- USE INSERTION-EXTRACTION TOOL 1738894-1.
- TENSOLITE NF24Q100 OR EQUIVALENT
- DRAKA F4704-4 OR EQUIVALENT
- REDUCED SIZE OF TEC INSTRUCTION SHEET 408-32112 INCLUDED IN EACH KIT.

| RECOMMENDED CABLE | CUSTOMER PART NUMBER | SEAL COLOR | DESCRIPTION                         | PART NO.  |
|-------------------|----------------------|------------|-------------------------------------|-----------|
| 4                 | BACC47GB2            | ---        | SAME AS -4 EXCEPT WITHOUT WIRE SEAL | 1445693-9 |
| 5                 | ---                  | -          | AS SHOWN WITHOUT WIRE SEAL          | 1445693-6 |
| 5                 | ---                  | BLUE       | AS SHOWN WITH WIRE SEAL             | 1445693-5 |
| 4                 | BACC47GB1            | BLUE       | SAME AS -1 EXCEPT WITH WIRE SEAL    | 1445693-4 |
| 4                 | ---                  | BLUE       | SAME AS -1 EXCEPT WITH WIRE SEAL    | 1445693-3 |
| 4                 | ---                  | RED        | SAME AS -1 EXCEPT WITH WIRE SEAL    | 1445693-2 |
| 4 6               | ---                  | --         | AS SHOWN; WITHOUT WIRE SEAL         | 1445693-1 |

THIS DRAWING IS A CONTROLLED DOCUMENT.

DIMENSIONS: mm [INCH]

TOLERANCES UNLESS OTHERWISE SPECIFIED:

|        |               |
|--------|---------------|
| 0 PLC  | ±             |
| 1 PLC  | ±0.2 [.008]   |
| 2 PLC  | ±0.13 [.0051] |
| 3 PLC  | ±0.051 [.002] |
| 4 PLC  | ±             |
| ANGLES | ±             |

MATERIAL: - FINISH: - WEIGHT: -

APPROVED: W. H. BERNHART DATE: 23 JUNE 2004

DESIGNED: Brent D. Smith DATE: 23 JUNE 2004

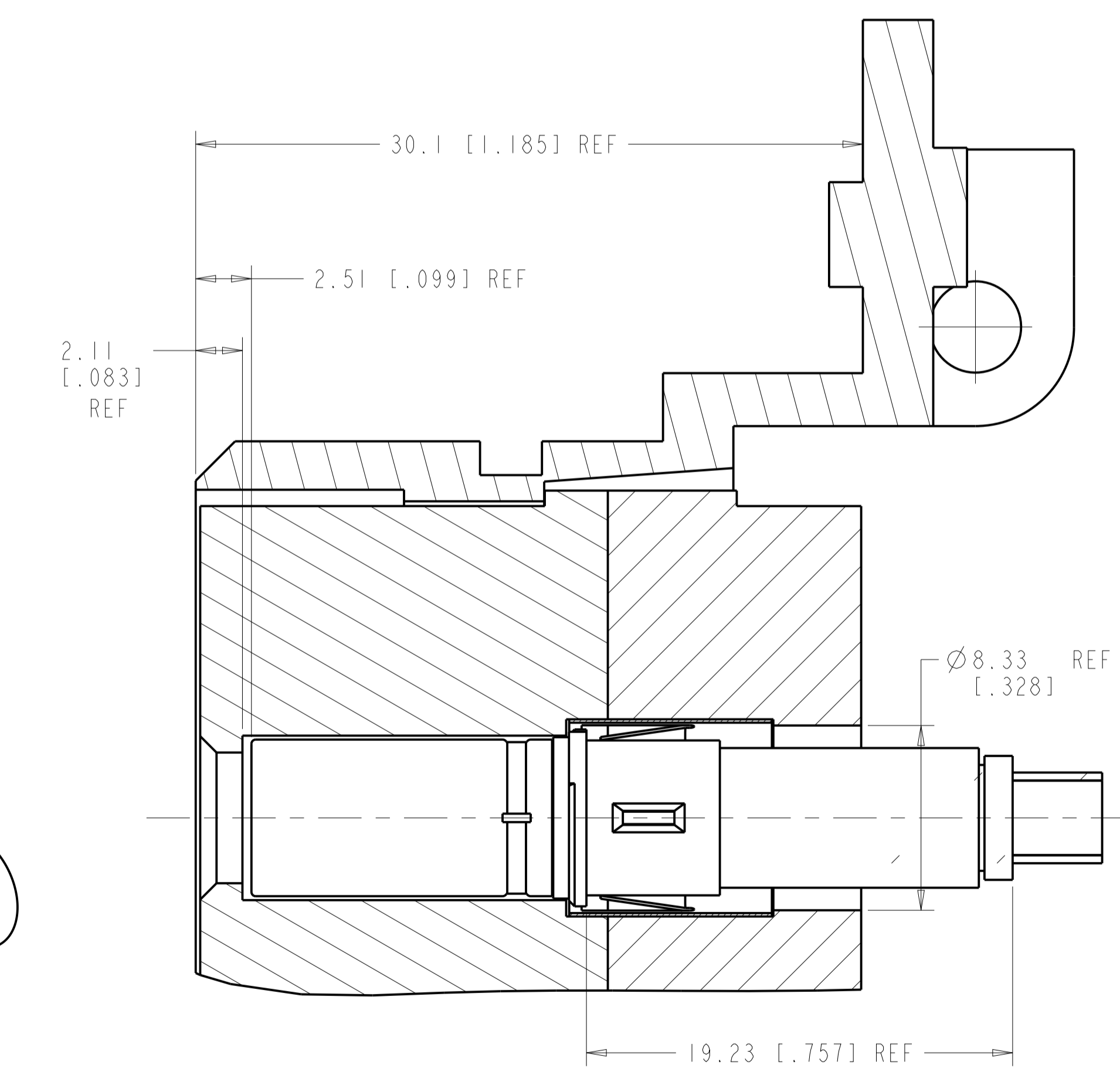
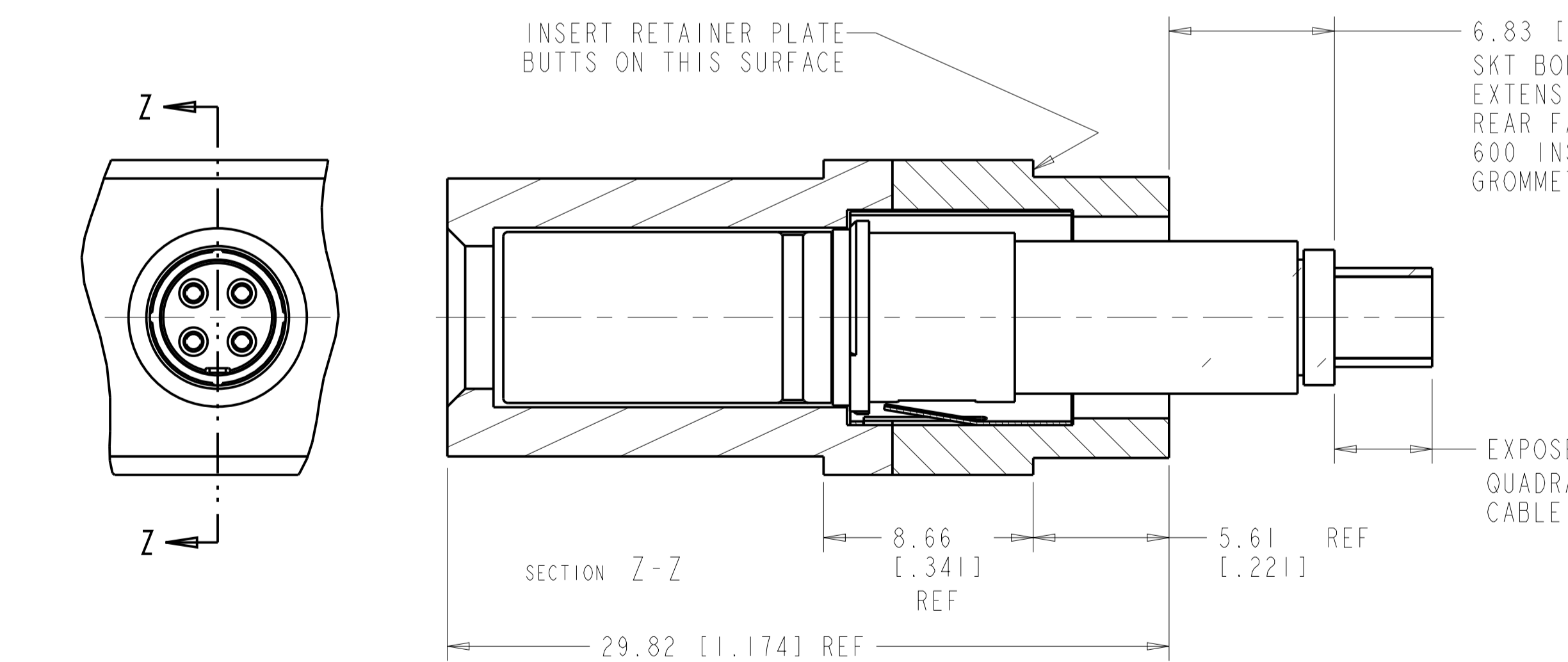
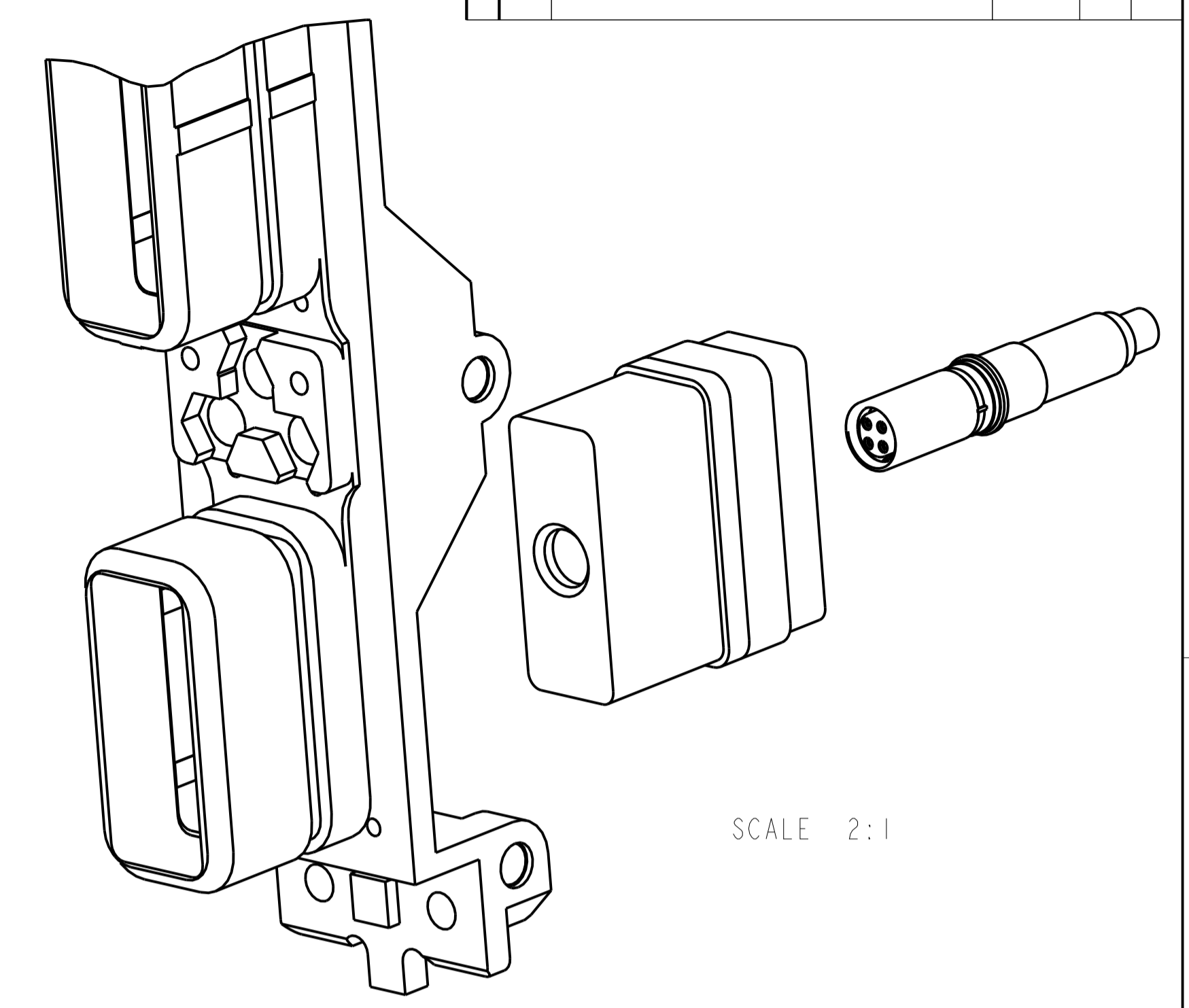
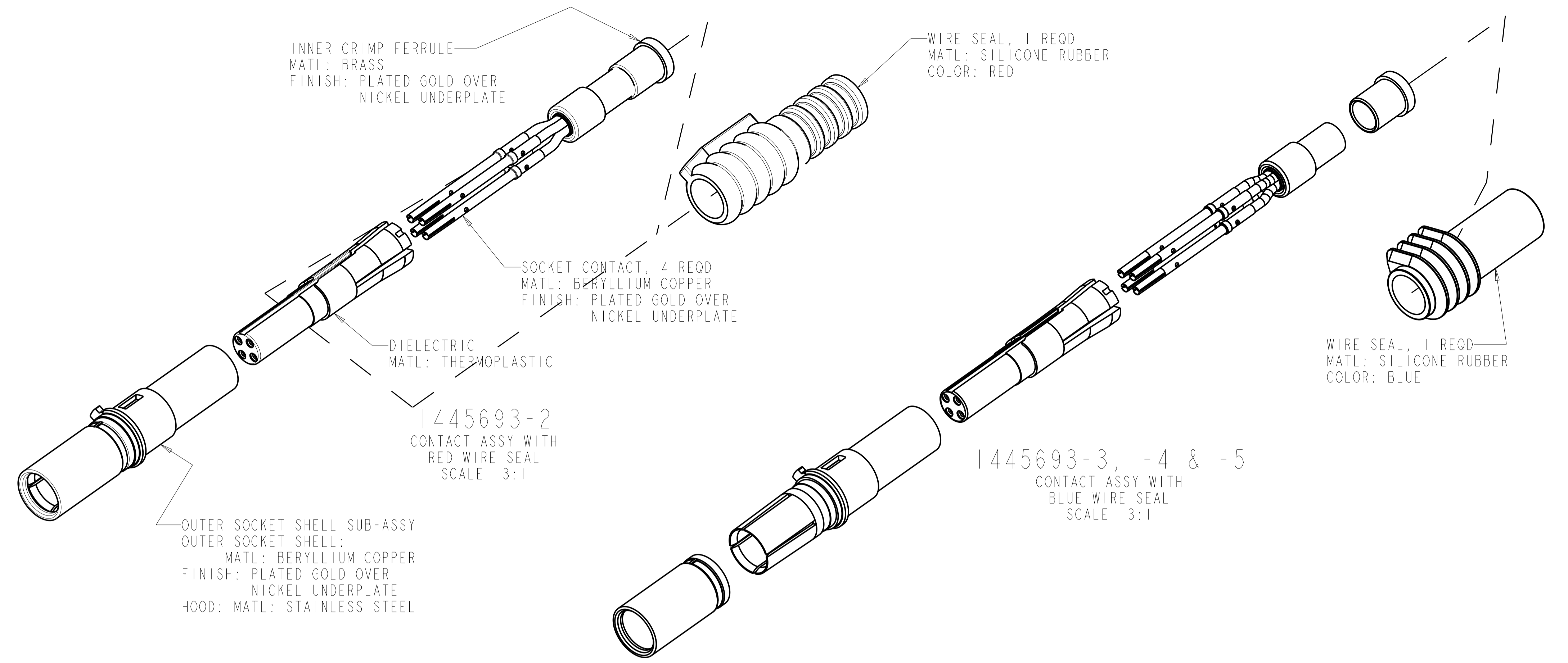
NAME: ASSEMBLY, SOCKET, QUADRAX, 2mm SQ, AIRCRAFT DATA NETWORK, RR/RR WITH SOCKET CONTACTS

SIZE: A1 CAGE CODE: - DRAWING NO: C=1445693

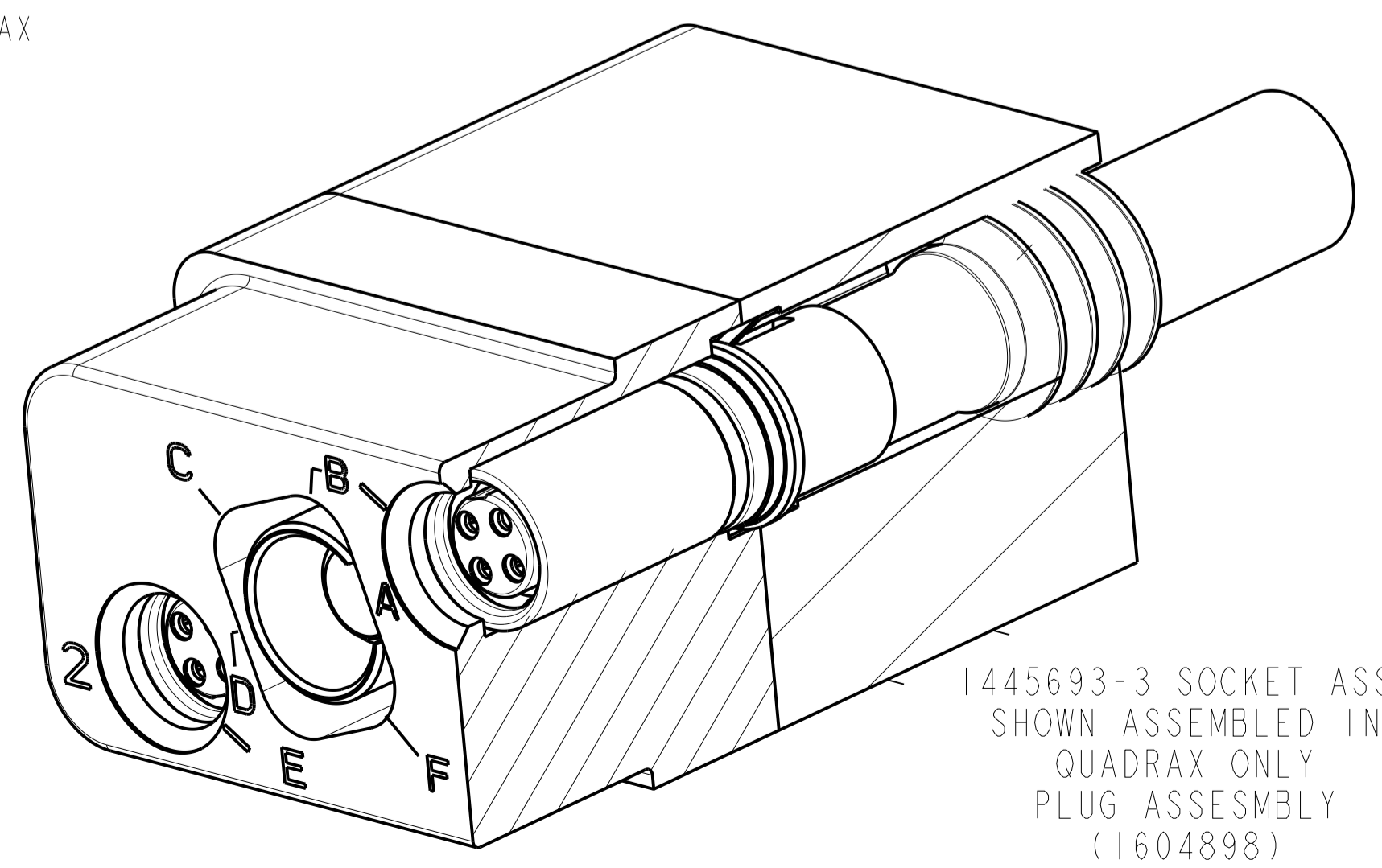
RESTRICTED TO: -

CUSTOMER DRAWING SCALE: 10:1 SHEET: 1 OF 2 REV: K

| REVISIONS |     |             |      |          |
|-----------|-----|-------------|------|----------|
| P.        | LTN | DESCRIPTION | DATE | OWN APVD |
| --        |     | SEE SHEET 1 | -    | -        |



QUADRAX SOCKET ASSY SHOWN INSTALLED IN STANDARD ARINC 600, SIZE 1 INSERT WITH REAR RELEASE, REAR REMOVABLE SIZE 8 QUADRAX CAVITY



|  |                |  |  |
|--|----------------|--|--|
| THIS DRAWING IS A CONTROLLED DOCUMENT. |                | OWN<br>Brent D. Lohm<br>23 JUNE 2004   | TE Connectivity  |
| DIMENSIONS:<br>mm [INCH]               |                | CHK<br>W. H. BERNHART<br>23 JUNE 2004  |  |
| TOLERANCES UNLESS OTHERWISE SPECIFIED: |                | APVD<br>W. H. BERNHART<br>23 JUNE 2004 | NAME<br>ASSEMBLY, SOCKET, QUADRAX, 2mm SQ, AIRCRAFT DATA NETWORK, RR/RR WITH SOCKET CONTACTS |
| 0 PLC                                  | ±              | PRODUCT SPEC                           | RESTRICTED TO  |
| 1 PLC                                  | ±0.2 [1.008]   | APPLICATION SPEC                       |  |
| 2 PLC                                  | ±0.13 [1.005]  |  |  |
| 3 PLC                                  | ±0.081 [1.002] |  |  |
| 4 PLC                                  | ±              |  |  |
| ANGLES                                 | ±              |  |  |
| MATERIAL                               |                | WEIGHT                                 | SIZE<br>A1   |
| FINISH                                 |                | CUSTOMER DRAWING                       | CAGE CODE<br>1445693   |
|  |                |  | SCALE<br>3:1   |
|  |                |  | SHEET<br>2 OF 2  |
|  |                |  | REV<br>K   |