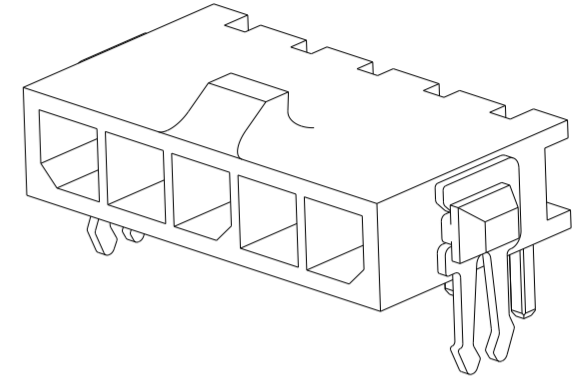
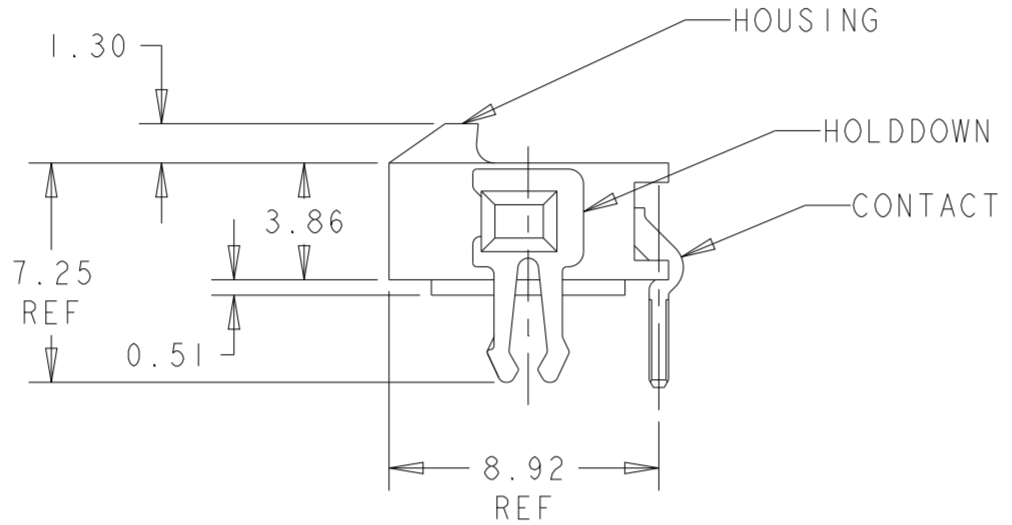
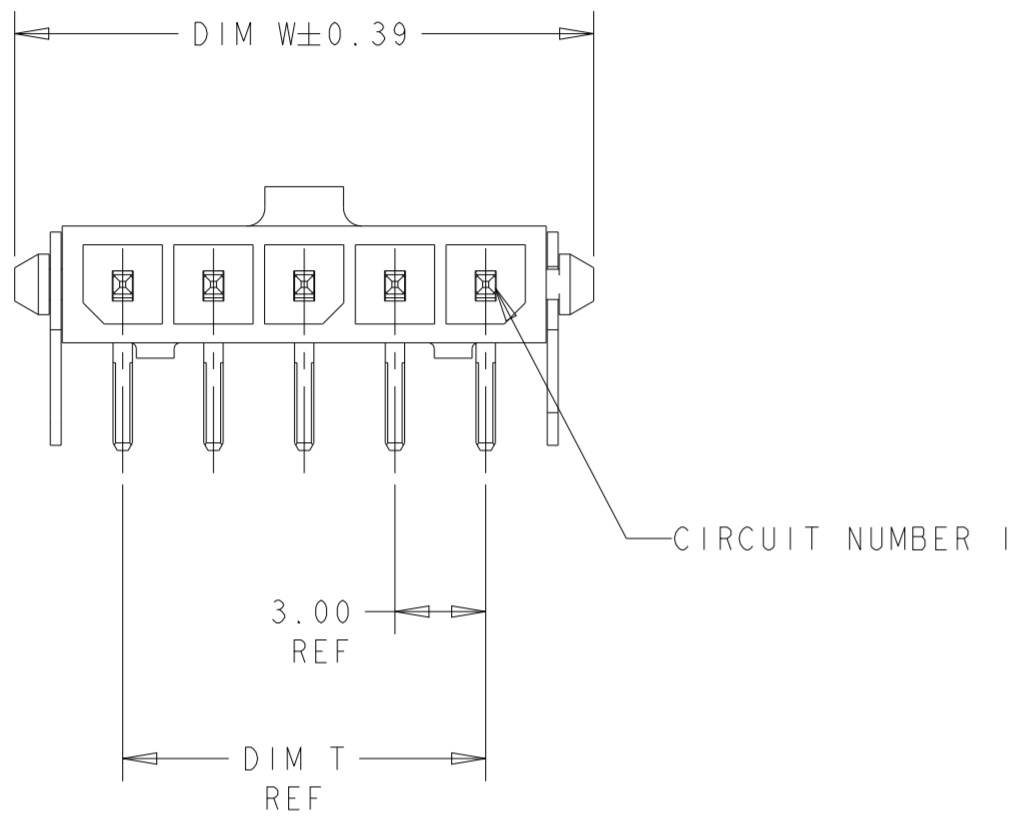
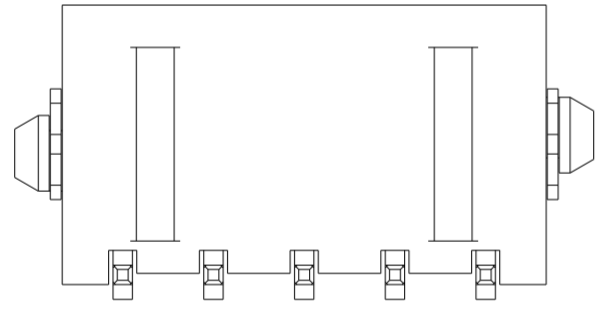


THIS DRAWING IS UNPUBLISHED. RELEASED FOR PUBLICATION 20  
 © COPYRIGHT 20 BY - ALL RIGHTS RESERVED.

LOC	DIST	REVISIONS					
CM	00	P	LTR	DESCRIPTION	DATE	DWN	APVD
		A2		REVISED PER ECR-16-011506	04JUL2017	BW	CX
		A3		ECO-19-006934	10MAY2019	AP	WS
		A4		REVISED PER ECN-22-179646	01NOV2022	WLS	VS
		A5		REVISED PER ECN-23-242776	13DEC2023	WLS	VS



- 1 MATERIAL: HOUSING - UL 94V-0 RATED HIGH TEMP NYLON, COLOR BLACK.  
CONTACTS - BRASS  
HOLDDOWNS: - PHOSPHOR BRONZE.
- 2 RECOMMENDED PC BOARD THICKNESS OF 1.57.
- 3 PLATING: CONTACTS - 2.54µm MINIMUM MATTE TIN OVER 1.27µm MINIMUM NICKEL.  
HOLDDOWNS: 2.54µm MINIMUM MATTE TIN OVER 1.27µm MINIMUM NICKEL.
- 4 COUNTERPART RECOMMENDED IS PN 1445022 OR 2008571 (DASH ACC. TO NUMBER OF POSITION).
- 5 FOR REELING DIRECTION AND PACKAGING TYPE, SEE SPECIFICATION 114-13000.



OBSOLETE	-33.00	37.43	33.00	40.14	12	3-1445054-2-
OBSOLETE	-30.00	34.43	30.00	37.14	11	3-1445054-1-
OBSOLETE	-27.00	31.43	27.00	34.14	10	3-1445054-0-
OBSOLETE	-24.00	28.43	24.00	31.14	9	2-1445054-9-
	21.00	25.43	21.00	28.14	8	2-1445054-8
OBSOLETE	-18.00	22.43	18.00	25.14	7	2-1445054-7-
	15.00	19.43	15.00	22.14	6	2-1445054-6
OBSOLETE	-12.00	16.43	12.00	19.14	5	2-1445054-5-
	9.00	13.43	9.00	16.14	4	2-1445054-4
	6.00	10.43	6.00	13.14	3	2-1445054-3
	3.00	7.43	3.00	10.14	2	2-1445054-2
	DIM Z	DIM V	DIM T	DIM W	NO. OF POSN	PART NUMBER

THIS DRAWING IS A CONTROLLED DOCUMENT. DWN J.ROOT 06OCT2000  
 CHK K.WHITAKER 13-MAR-2001  
 APVD K.WHITAKER 13-MAR-2001

**STE** TE Connectivity

NAME RIGHT ANGLE THRU HOLE HDR ASSY, TIN CTC W/ THRU HOLE HOLDDOWNS, SINGLE ROW, MICRO MATE-N-LOW

PRODUCT SPEC 108-1836  
 APPLICATION SPEC 114-13000

SIZE A2 CAGE CODE 00779 DRAWING NO. C-1445054 RESTRICTED TO -  
 WEIGHT - SCALE 4:1 SHEET 1 OF 2 REV A5

MATERIAL 1 TOLERANCES UNLESS OTHERWISE SPECIFIED: 3

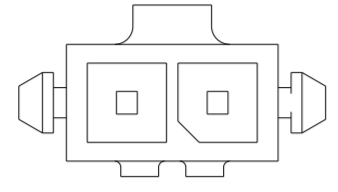
0 PLC ±  
 1 PLC ±  
 2 PLC ±0.20  
 3 PLC ±  
 4 PLC ±  
 ANGLES ±1°  
 FINISH

CUSTOMER DRAWING

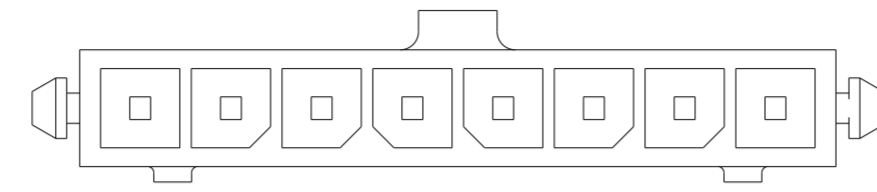
THIS DRAWING IS UNPUBLISHED. RELEASED FOR PUBLICATION 20  
 © COPYRIGHT 20 BY - ALL RIGHTS RESERVED.

LOC	DIST	REVISIONS					
CM	00	P	LTR	DESCRIPTION	DATE	DWN	APVD
		-		SEE SHEET 1	-	-	-

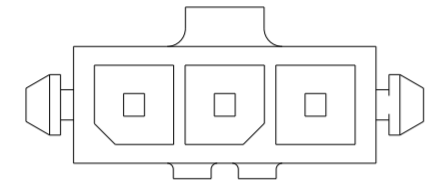
2 POS.



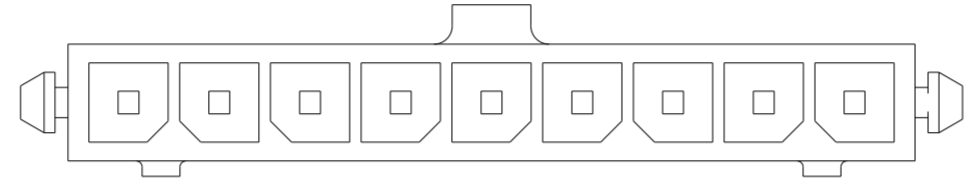
8 POS.



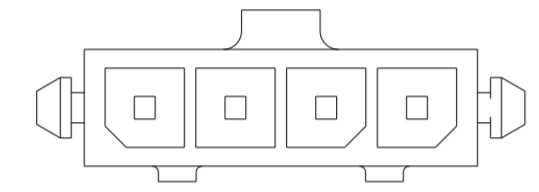
3 POS.



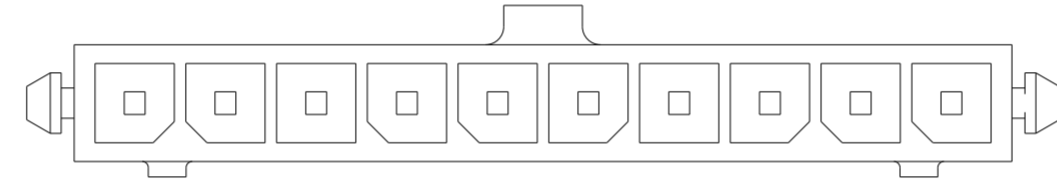
9 POS.



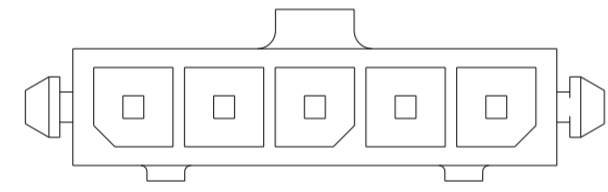
4 POS.



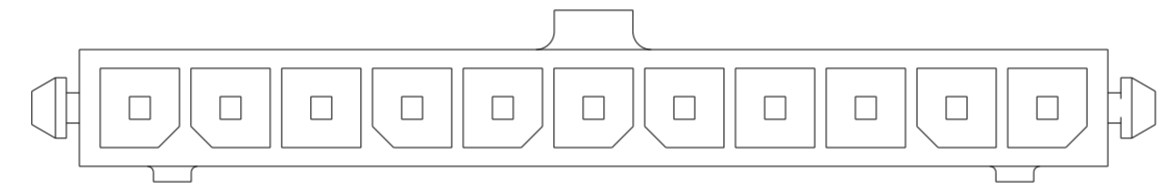
10 POS.



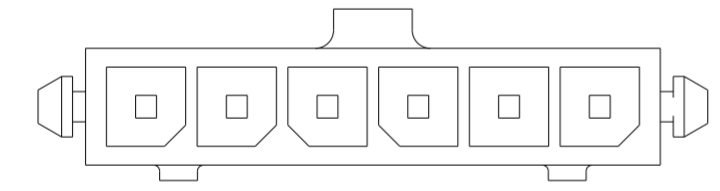
5 POS.



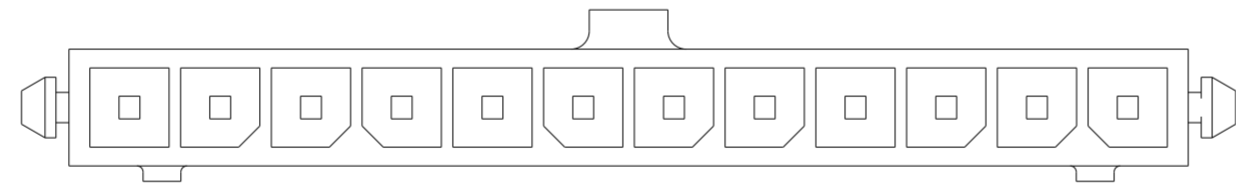
11 POS.



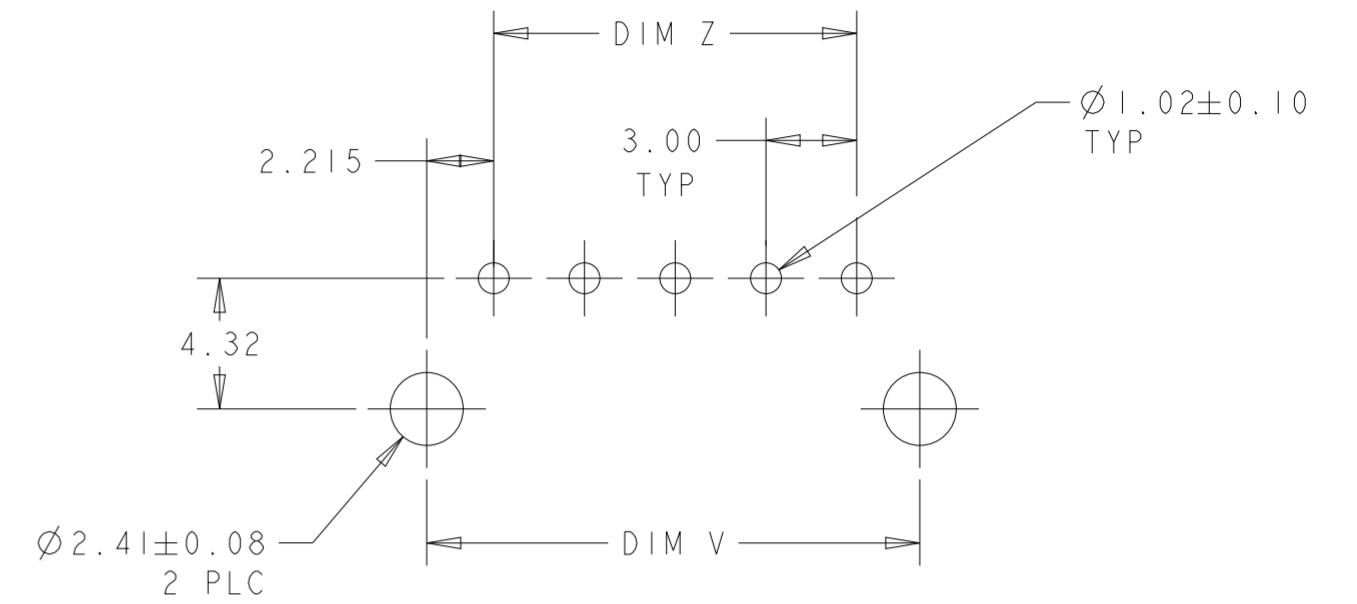
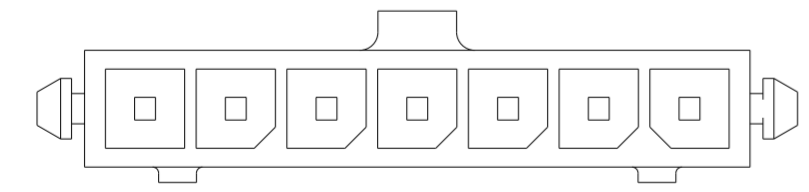
6 POS.



12 POS.



7 POS.



PCB LAYOUT COMPONENT SIDE  $\triangle$

KEYING BY POSITION SIZE

THIS DRAWING IS A CONTROLLED DOCUMENT.		DWN J. ROOT 06OCT2000	TE Connectivity	
DIMENSIONS: mm		CHK K. WHITAKER 13-MAR-2001		
TOLERANCES UNLESS OTHERWISE SPECIFIED:		APVD K. WHITAKER 13-MAR-2001	NAME RIGHT ANGLE THRU HOLE HDR ASSY, TIN CTC W/ THRU HOLE HOLDDOWNS, SINGLE ROW, MICRO MATE-N-LOK	
		PRODUCT SPEC 108-1836	SIZE A2	CAGE CODE 00779
MATERIAL		APPLICATION SPEC 114-13000	DRAWING NO C-1445054	RESTRICTED TO -
FINISH		WEIGHT -	SCALE 4:1	SHEET 2 OF 2
-		CUSTOMER DRAWING	REV A5	