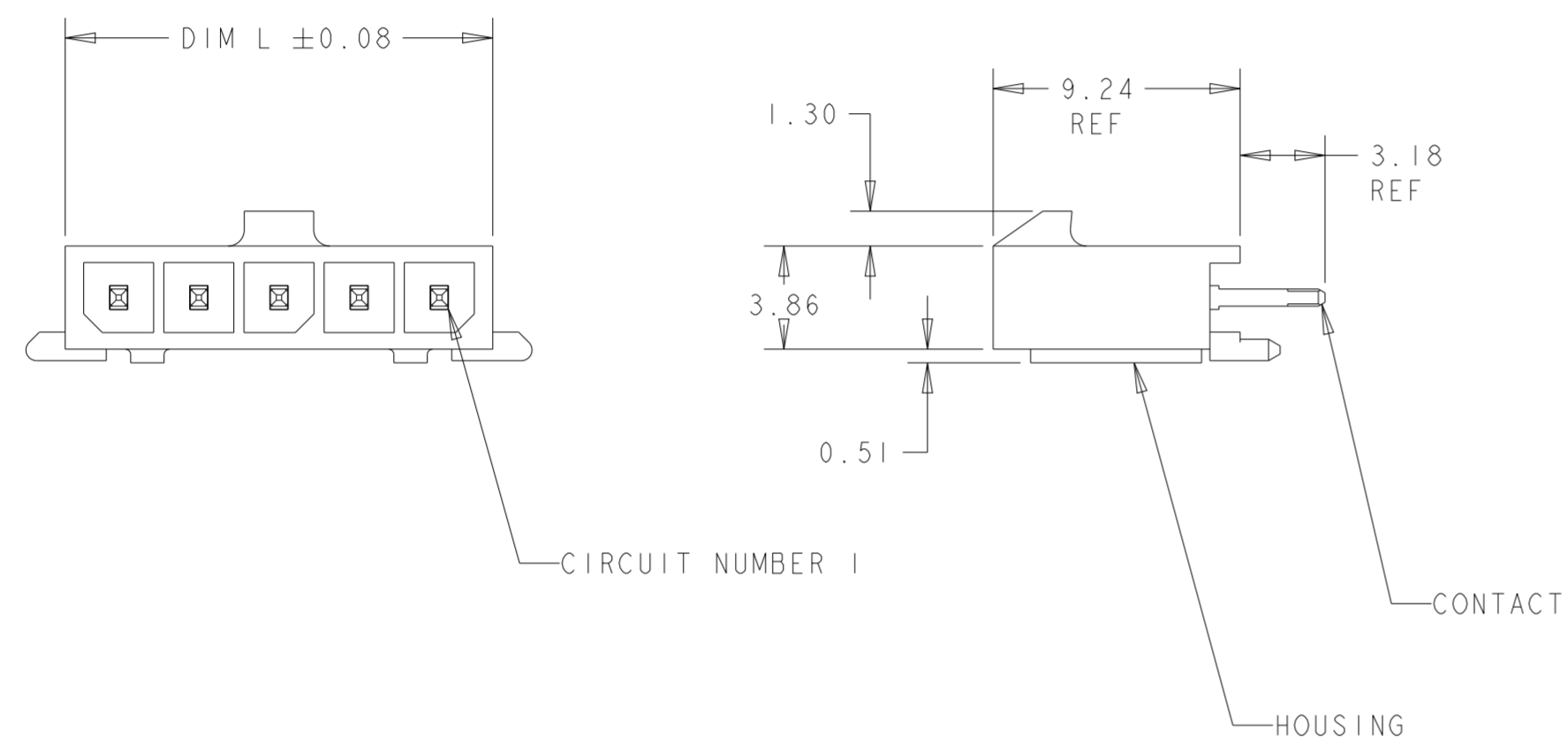
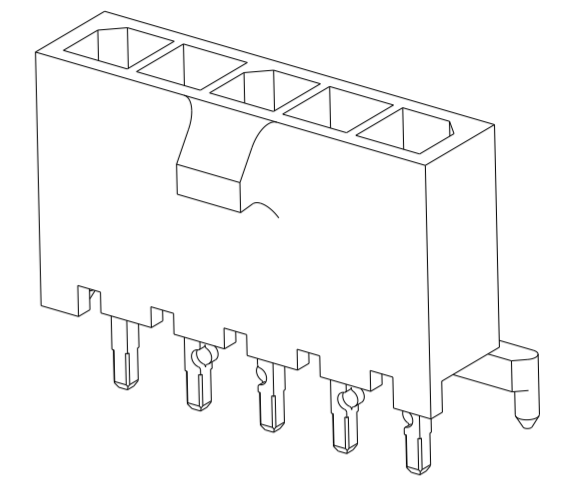
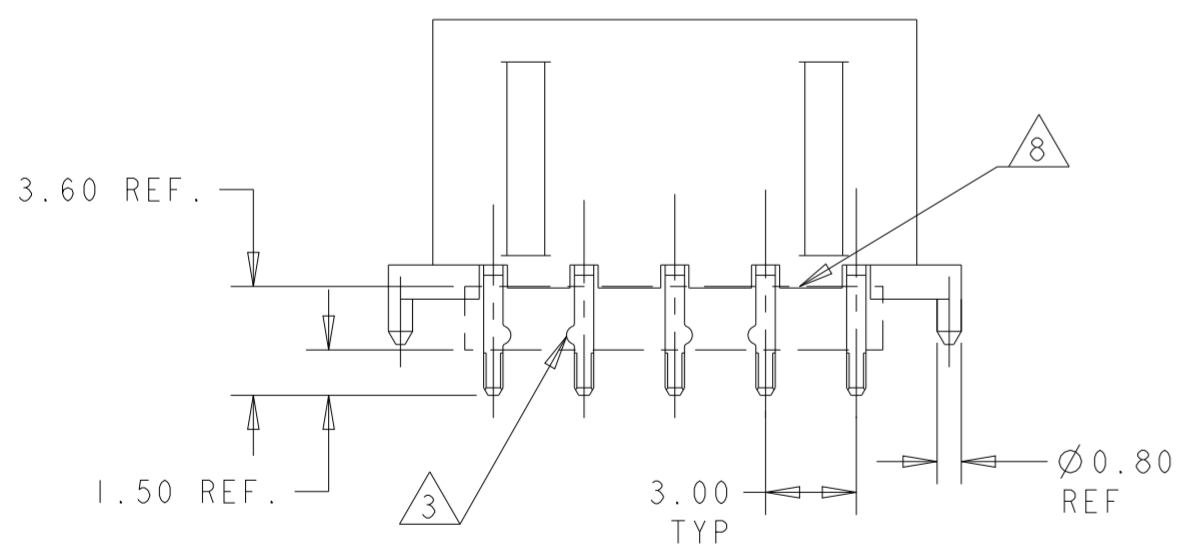


THIS DRAWING IS UNPUBLISHED. RELEASED FOR PUBLICATION 20
 © COPYRIGHT 20 BY - ALL RIGHTS RESERVED.

REVISIONS				
P	LTR	DESCRIPTION	DATE	DWN APVD
	B9	REVISED PER ECN-23-240910	23NOV2023	WLS VS



- 1 MATERIAL: HOUSING - UL 94V-0 RATED HIGH TEMP NYLON, COLOR BLACK.
CONTACTS - BRASS
- 2 RECOMMENDED PC BOARD THICKNESS OF 1.57.
- 3 RETENTION BUMP FEATURES FACE EACH OTHER, TYPICAL ALL CONFIGURATIONS.
- 4 PLATING: CONTACTS - 2.54µm MINIMUM MATTE TIN OVER 1.27µm MINIMUM NICKEL.
- 5 SELECTIVE LOADED CONFIGURATION.
- 6 COUNTERPART RECOMMENDED IS PN 1445022 OR 2008571 (DASH ACCORDING TO NUMBER OF POSITION.
- 7 FOR REELING DIRECTION AND PACKAGING TYPE, SEE SPECIFICATION 114-13000.
- 8 CUTTING EDGE, NO PLATING PRESENT IN THE REGION SHOWN.



5	
1	4
7	10
1, 4, 7, 10	4-1445050-0
PIN INSERTED	PART NUMBER

	5	1, 4, 7, 10	27.00	33.14	31.00	10	4-1445050-0
OBSOLETE		1, 2, 11, 12	33.00	39.14	37.00	12	3-1445050-2
OBSOLETE		1, 2, 9, 10	30.00	36.14	34.00	11	3-1445050-1
OBSOLETE		1, 2, 9, 10	27.00	33.14	31.00	10	3-1445050-0
		1, 2, 7, 8	24.00	30.14	28.00	9	2-1445050-9
		1, 2, 7, 8	21.00	27.14	25.00	8	2-1445050-8
OBSOLETE		1, 2, 5, 6	18.00	24.14	22.00	7	2-1445050-7
		1, 2, 5, 6	15.00	21.14	19.00	6	2-1445050-6
		1, 2, 3, 4	12.00	18.14	16.00	5	2-1445050-5
		1, 2, 3, 4	9.00	15.14	13.00	4	2-1445050-4
		1, 2	6.00	12.14	10.00	3	2-1445050-3
		1, 2	3.00	9.14	7.00	2	2-1445050-2
		CON POS W/RET BUMP 3	DIM Z	DIM V	DIM L	NO. OF POSN	PART NUMBER

THIS DRAWING IS A CONTROLLED DOCUMENT.

DWN	J. ROOT	08OCT2000
CHK	K. WHITAKER	19OCT2000
APVD	K. WHITAKER	12-MAR-2001
PRODUCT SPEC	108-1836	
APPLICATION SPEC	114-13000	
WEIGHT	-	
CUSTOMER DRAWING	SCALE 5:1	SHEET 1 OF 2

STE TE Connectivity

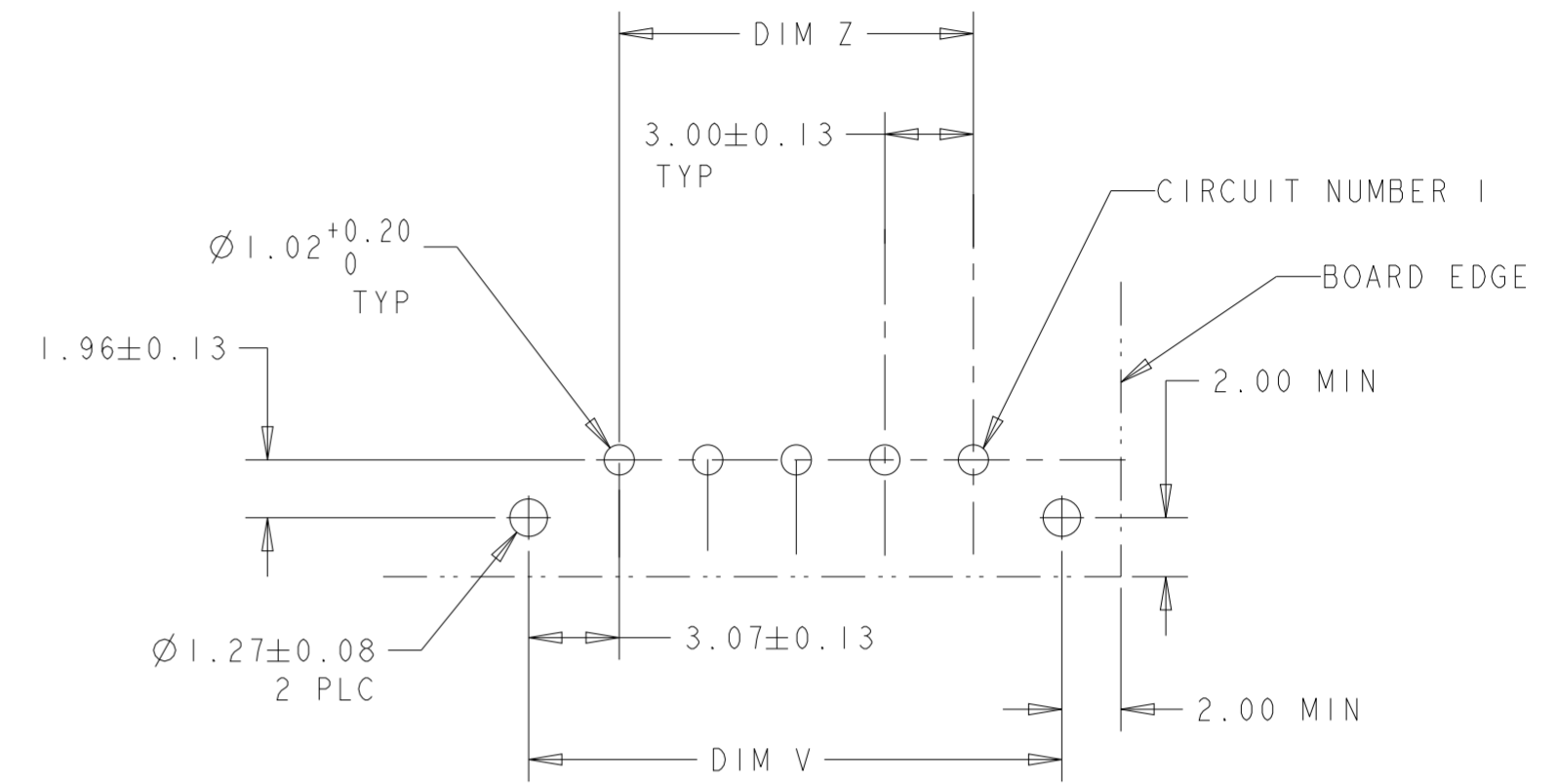
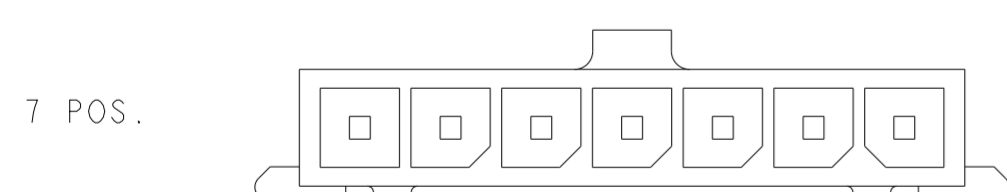
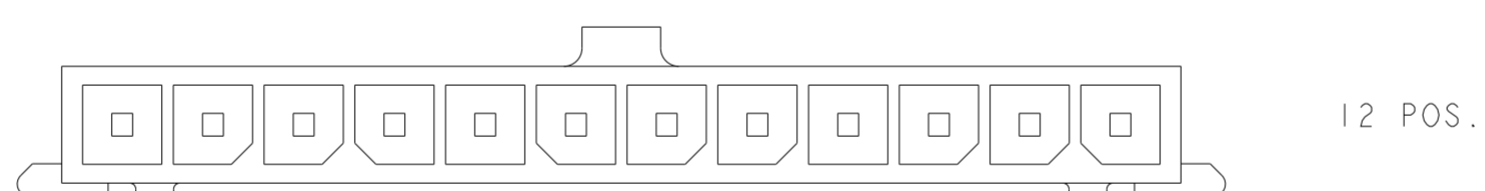
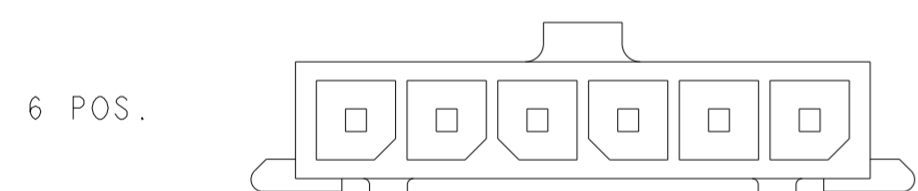
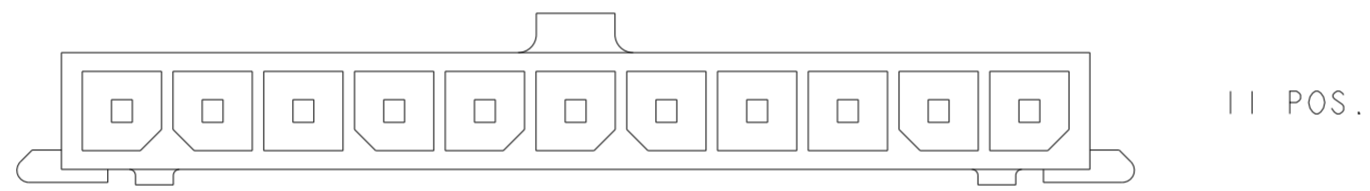
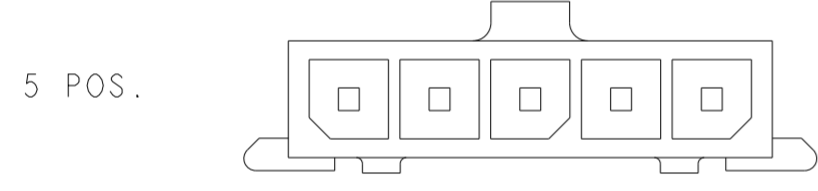
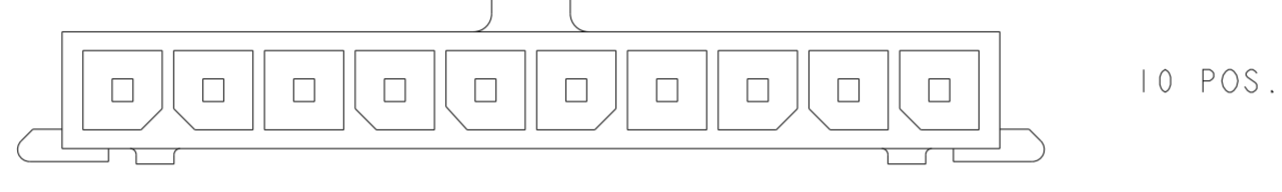
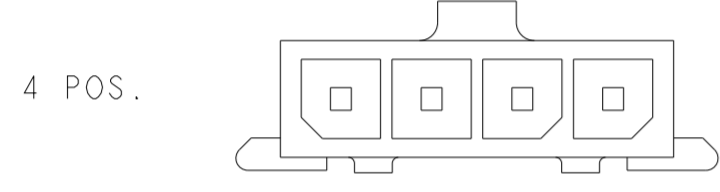
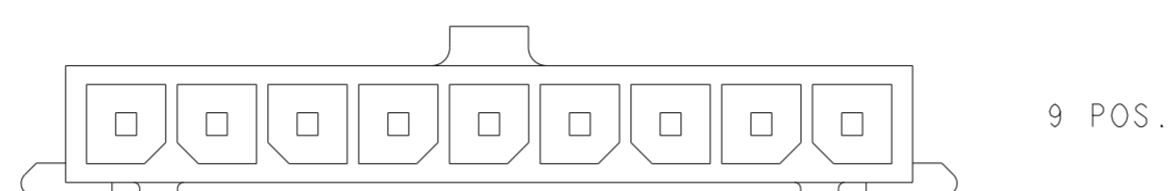
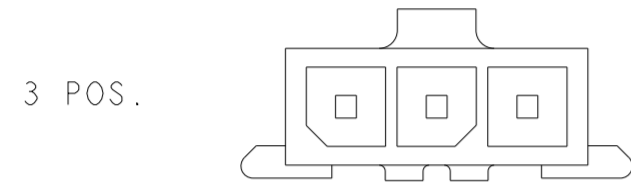
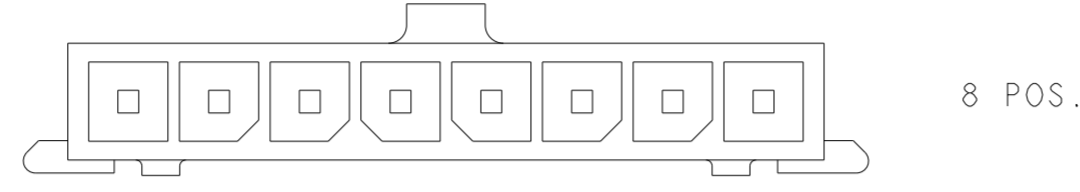
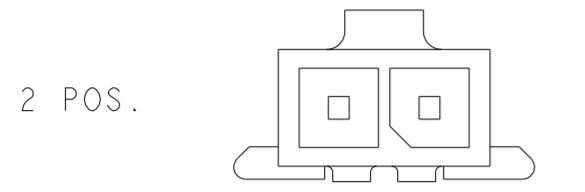
NAME: VERTICAL THRU HOLE HEADER ASSY, TIN CONTACTS W/PCB POLARIZATION FEATURE, SINGLE ROW, MICRO MATE-N-LOK™

SIZE: A2 CAGE CODE: 00779 DRAWING NO: 1445050 RESTRICTED TO: -

REV B9

THIS DRAWING IS UNPUBLISHED. RELEASED FOR PUBLICATION 20
 © COPYRIGHT 20 BY - ALL RIGHTS RESERVED.

REVISIONS				
P	LTR	DESCRIPTION	DATE	APVD
-	-	SEE SHEET 1	-	-



KEYING BY POSITION SIZE

THIS DRAWING IS A CONTROLLED DOCUMENT.		DWN J. ROOT 08OCT2000	TE Connectivity	
DIMENSIONS: mm		CHK K. WHITAKER 19OCT2000		
TOLERANCES UNLESS OTHERWISE SPECIFIED:		APVD K. WHITAKER 12-MAR-2001	NAME VERTICAL THRU HOLE HEADER ASSY, TIN CONTACTS W/PCB POLARIZATION FEATURE, SINGLE ROW, MICRO MATE-N-LOK	
		PRODUCT SPEC 108-1836	SIZE A200779	CAGE CODE C-1445050
MATERIAL		APPLICATION SPEC 114-13000	DRAWING NO	RESTRICTED TO
FINISH		WEIGHT	SCALE 5:1	SHEET 2 OF 2
-		CUSTOMER DRAWING	REV B9	