

4

3

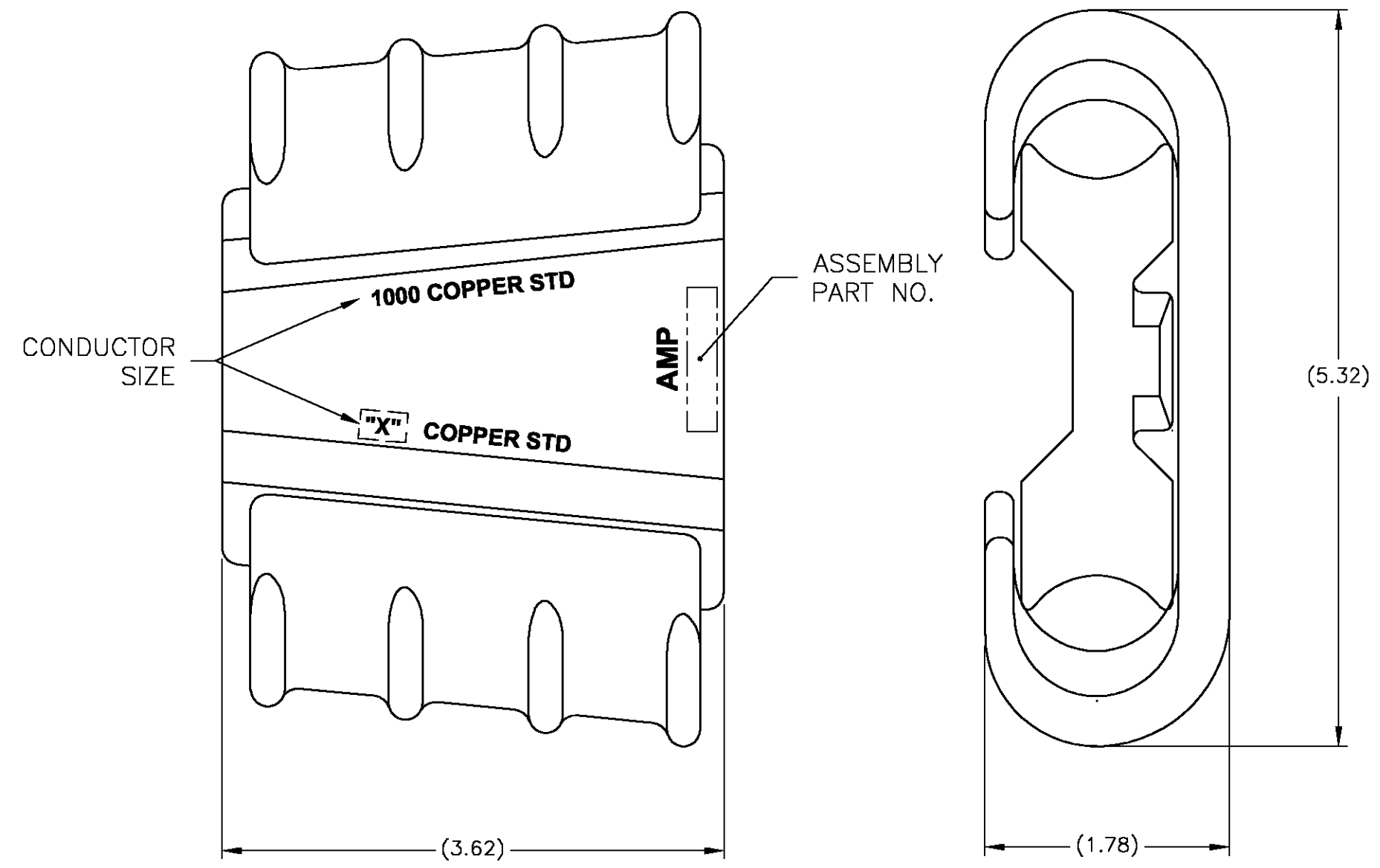
2

1

THIS DRAWING IS UNPUBLISHED. RELEASED FOR PUBLICATION
 © COPYRIGHT BY TYCO ELECTRONICS CORPORATION. ALL RIGHTS RESERVED.

LOC	DIST	REVISIONS			
P	LTR	DESCRIPTION	DATE	DWN	APVD
GA	1	A	INITIAL REL. PER LC20-0085-07	15MAR07	DM AB

1. ALL DIMENSIONS ARE FOR REFERENCE ONLY.
2. INHIBITOR IS APPLIED TO GROOVES OF BODY AND WEDGE AT FACTORY.
3. USE YELLOW CARTRIDGE NO. 69338-4



750-800	1443200-3
500	1443200-2
1000	1443200-1
X	TYCO P/N

QTY PER ASSY	DESCRIPTION	ITEM NO
1	WEDGE, COPPER ALLOY	3
1	"C" BODY, COPPER ALLOY	2
A/R	INHIBITOR	1
-3	DESCRIPTION	ITEM NO
	← REVISION OF EACH ASSY NO (WHEN BLANK, USE DWG REVISION)	

THIS DRAWING IS A CONTROLLED DOCUMENT.		DWN D. MURUGIAH 15MAR2007	Tyco Electronics Corporation Markham, ON L3R-1E1	
DIMENSIONS: INCHES		CHK D. LADIN 15MAR2007	NAME A. BULZA	
TOLERANCES UNLESS OTHERWISE SPECIFIED:		APVD A. BULZA 15MAR2007	PRODUCT SPEC	
0 PLC ± 1 PLC ± 2 PLC ± 3 PLC ± 4 PLC ± ANGLES ±		APPLICATION SPEC		
MATERIAL REFER TABLE		FINISH NONE	WEIGHT -	
		SIZE A3		CAGE CODE 00779
		DRAWING NO C-1443200		RESTRICTED TO -
CUSTOMER DRAWING		SCALE NTS	SHEET 1 OF 1	REV A