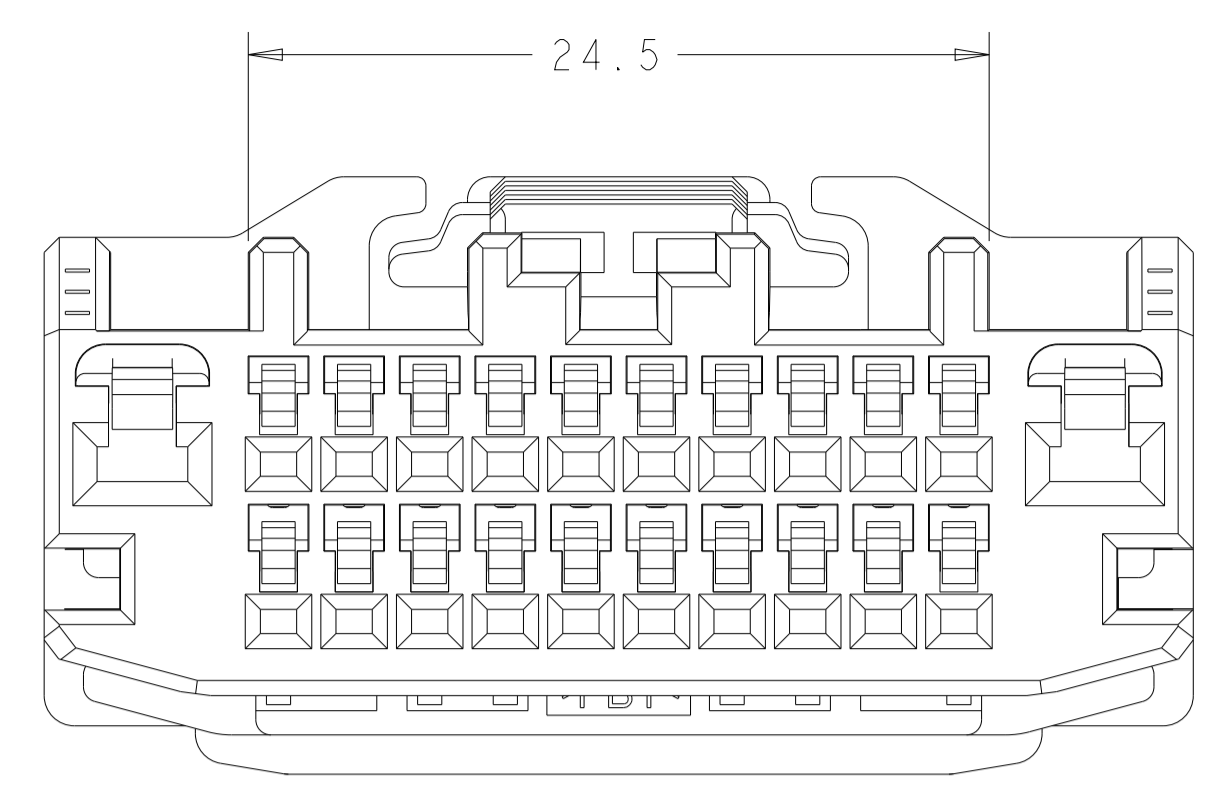
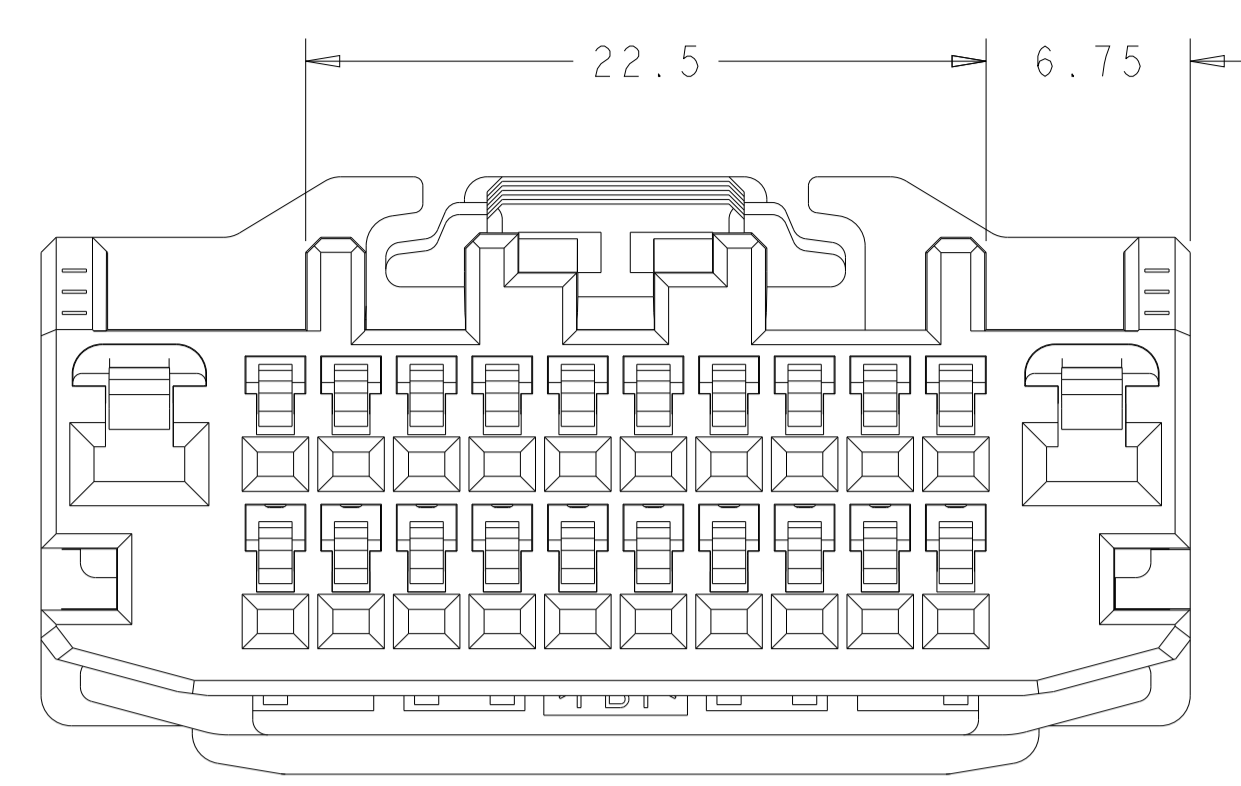


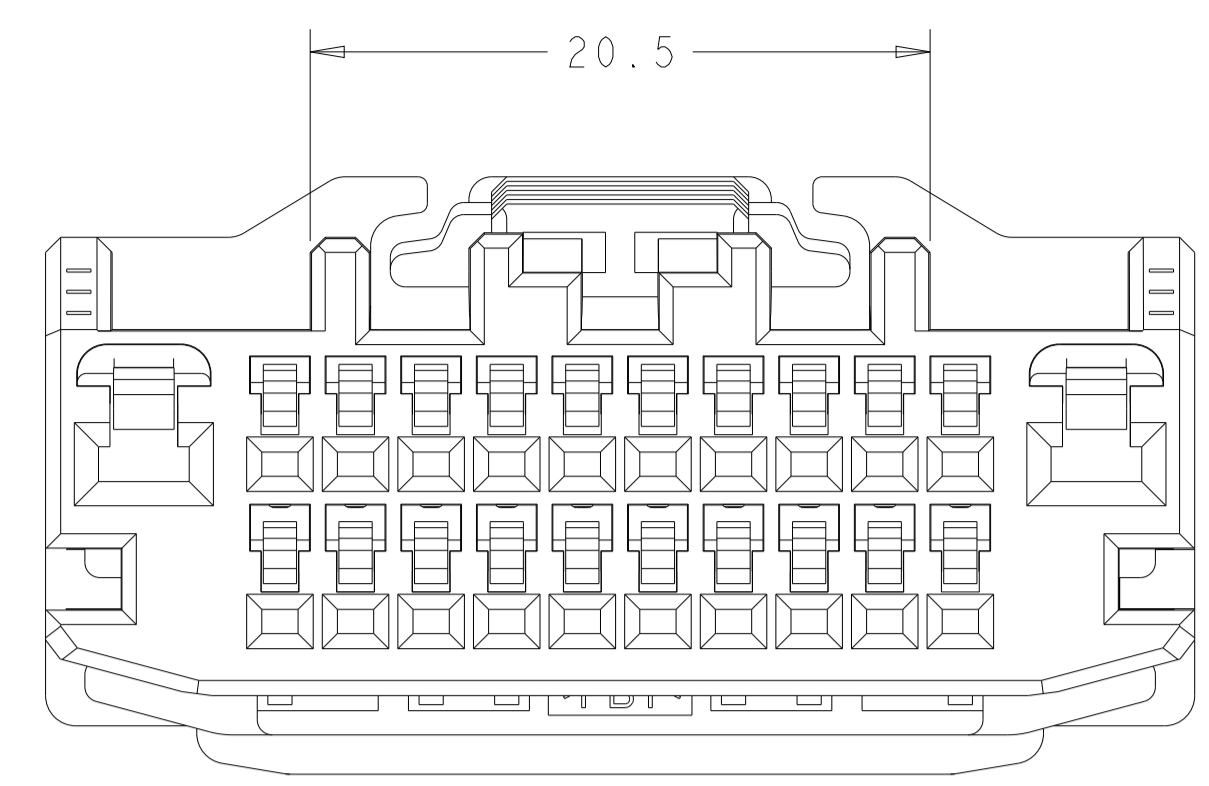
REVISIONS				
REV	LTN	DESCRIPTION	DATE	APVD
E1		REVISED PER ECN-22-137482, ECN-22-138779	03FEB2022	MC DW
E2		REV PER ECN-23-197404	08FEB2023	CKM DW
E3		REV PER ECN-23-226239	31AUG2023	SMR DW
F		REV PER ECN-24-260642	22JUL2024	CS CK



1438759-1  
KEY "B"  
WHITE

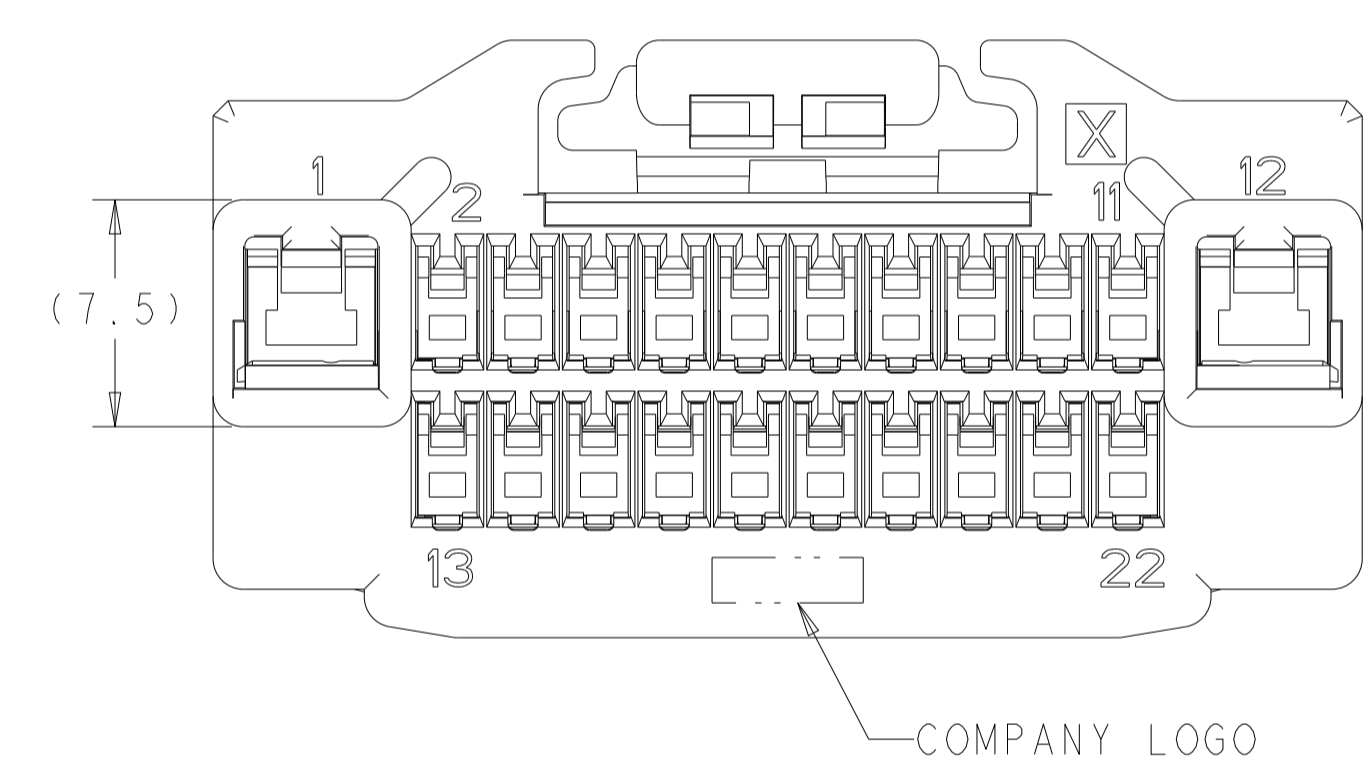
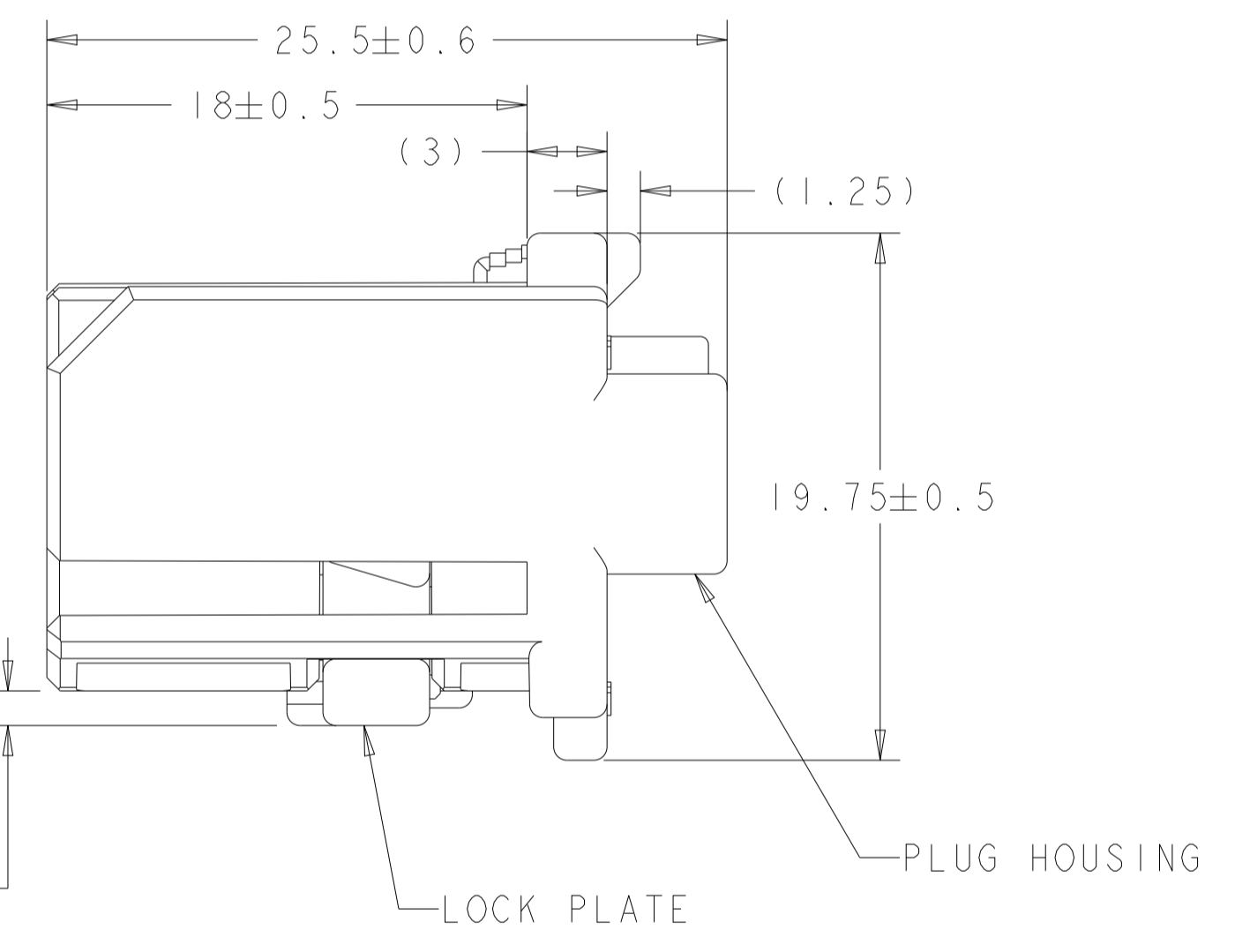
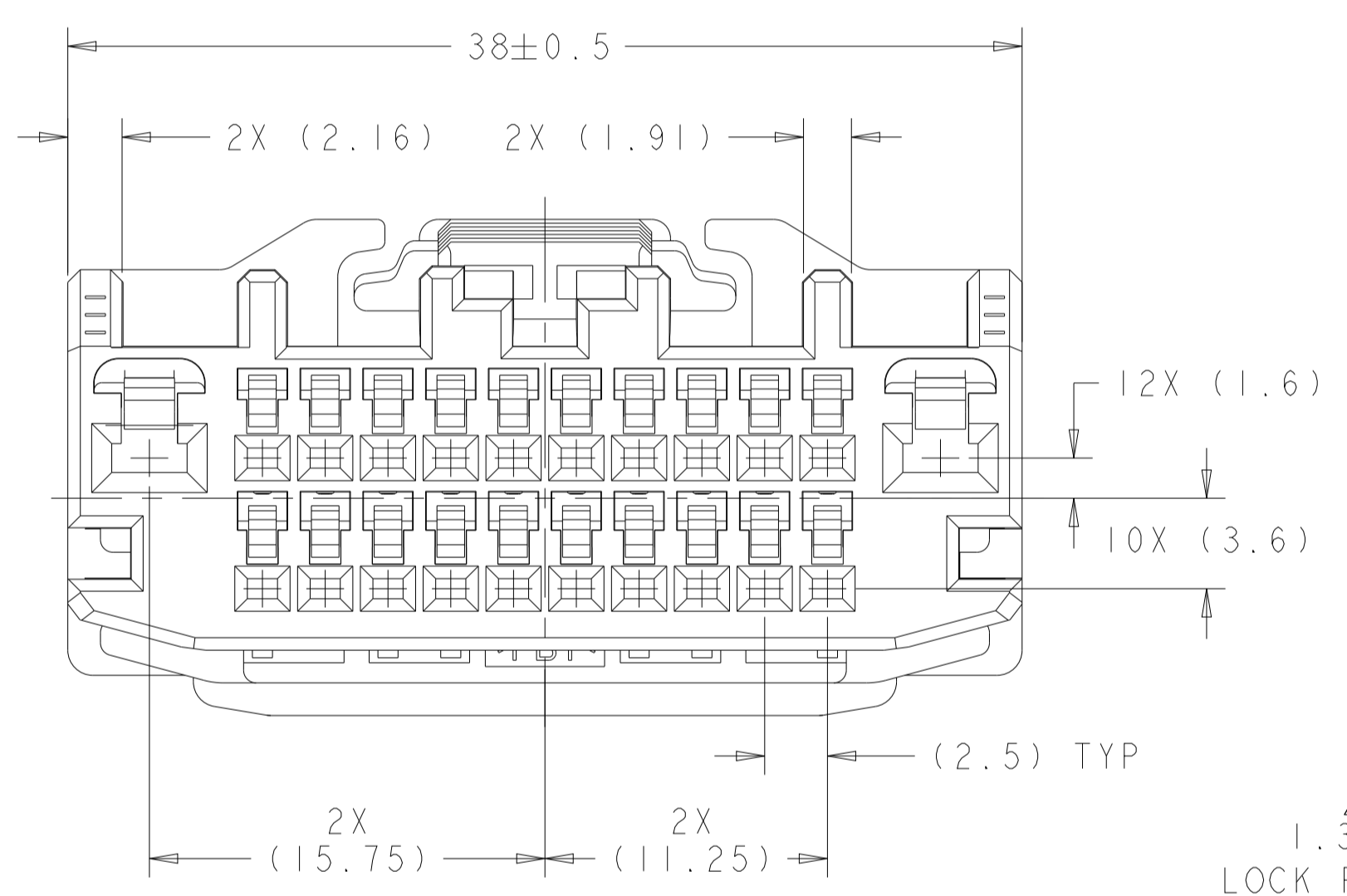


1438759-2  
KEY "C"  
BLACK



1438761-6  
KEY "A"  
GRAY

- APPLIED CONTACT PART NUMBERS:  
175265 TIN PLATING, 040 CONTACT  
175266 SELECT GOLD PLATING, 040 CONTACT  
1326030 TIN PLATING, 2.8 CONTACT
- LOCK PLATE SHOWN IN THE SHIPPING POSITION.
- VISUAL BLEMISHES MAY BE PRESENT ON EXTERNAL SURFACES DUE TO BULK PACKAGING METHODS. THESE BLEMISHES THAT DO NOT AFFECT CONNECTOR FORM, FIT, OR FUNCTION ARE CONSIDERED ACCEPTABLE.
- LOCK PLATE COMPONENT FORCES:  
INSERTION FORCE (SEATING): 75N MAX.  
REMOVAL FROM PLUG HOUSING: 15N MIN.



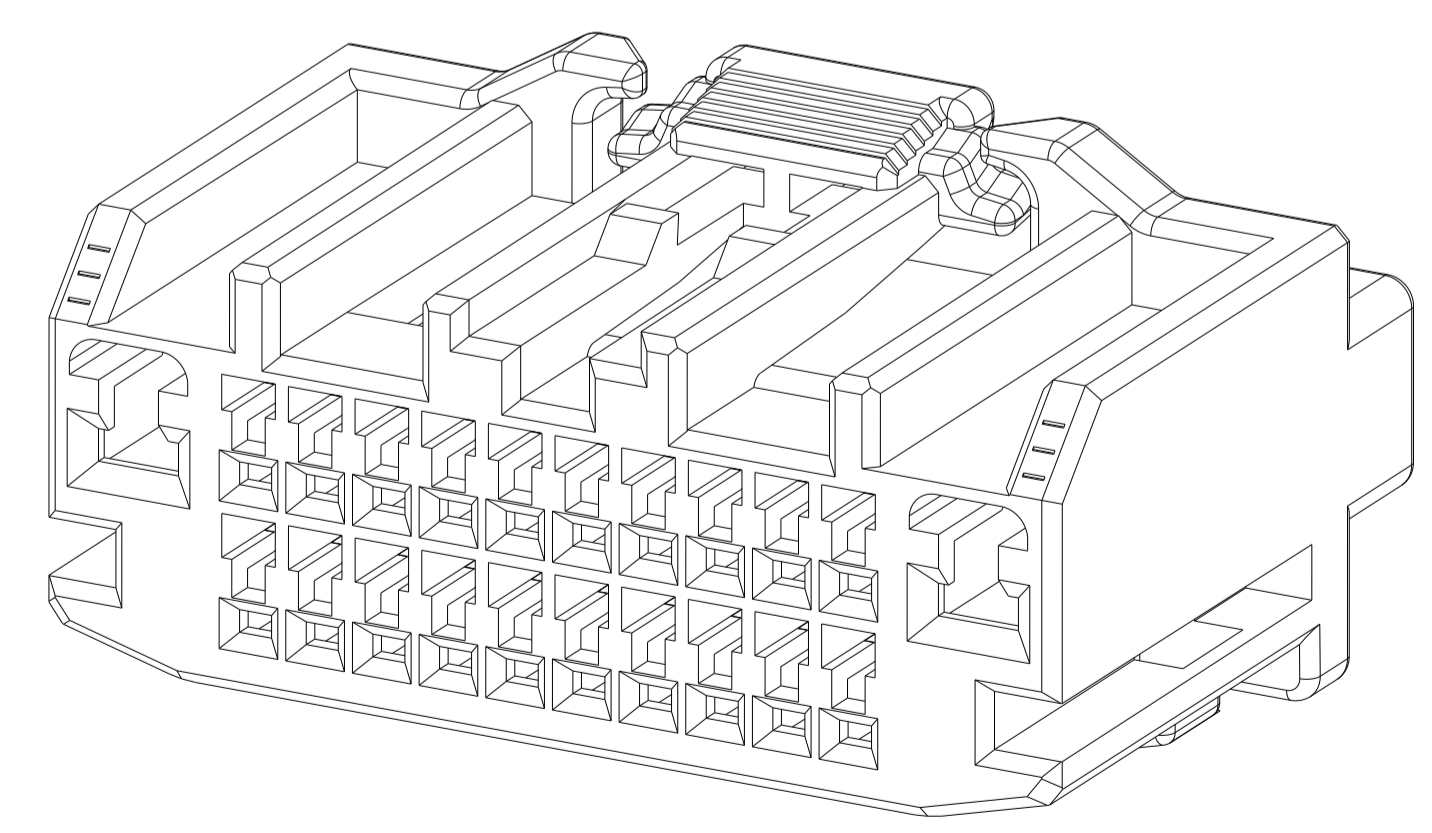
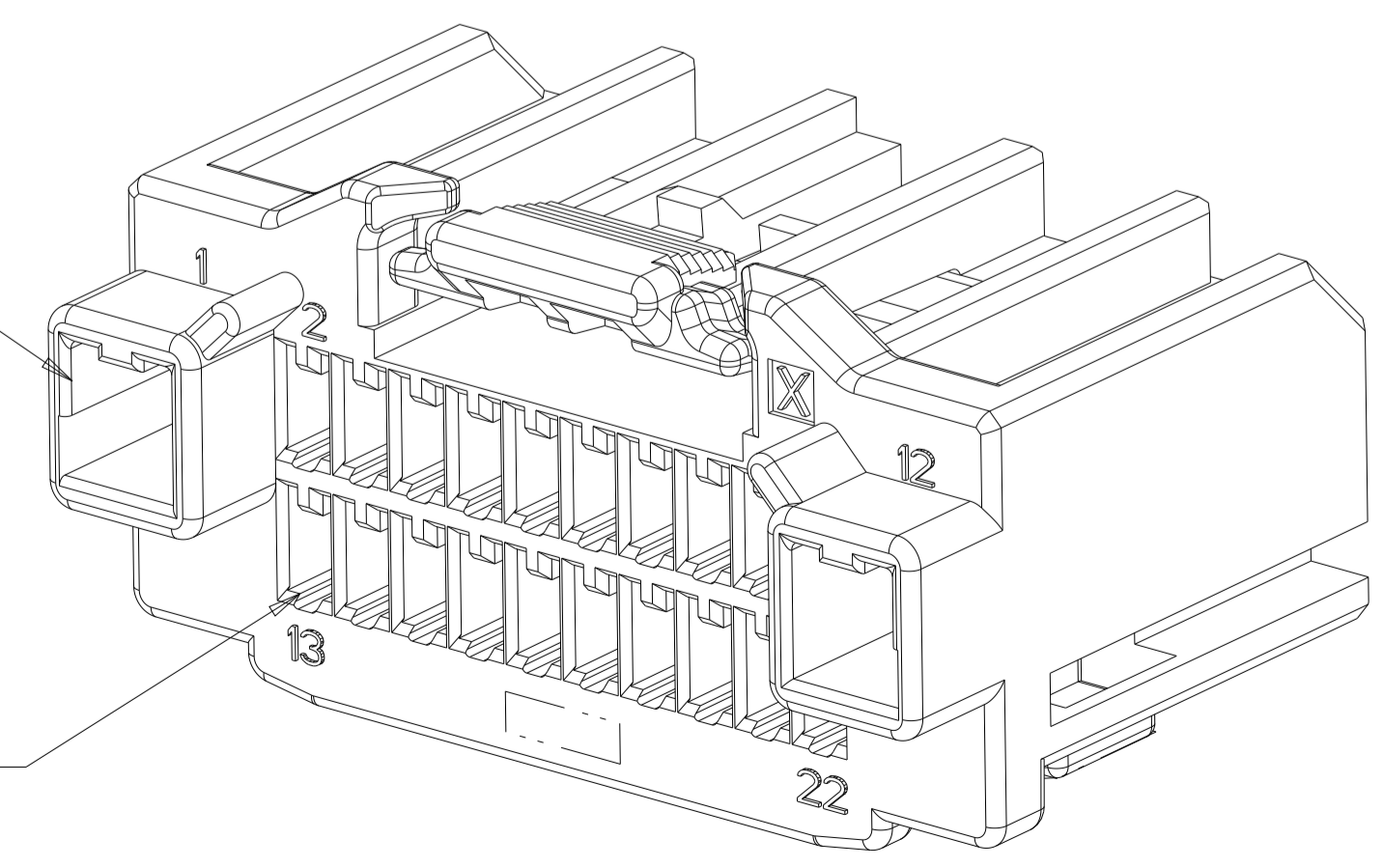
1.3±0.4  
LOCK PLATE  
TRAVEL

LOCK PLATE  
PLUG HOUSING

COMPANY LOGO

2.8 CONTACT CIRCUIT 1

.040 CONTACT CIRCUIT 13



-KEY "1438759-1" SHOWN IN DETAILING-

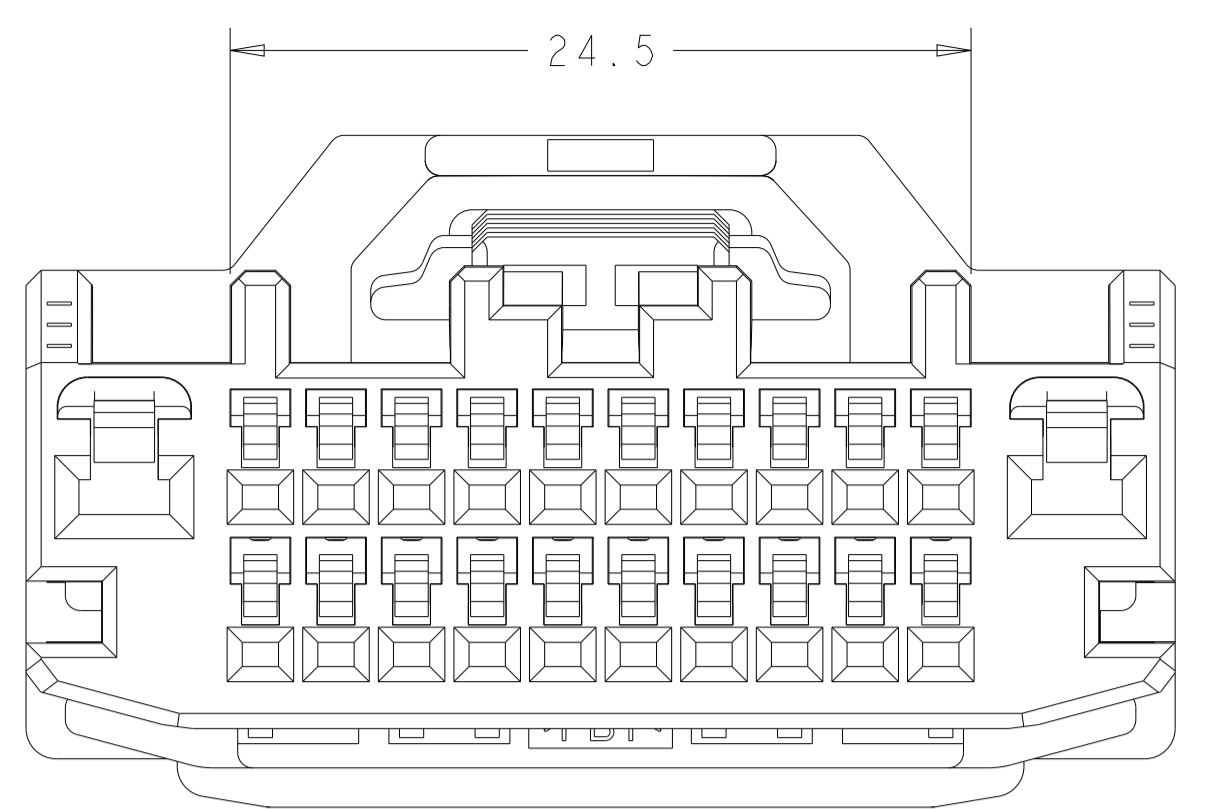
SEE SHEET 2	COLOR	KEY	PART NUMBER
SEE SHEET 2	GRAY	A	1-1438761-6
SEE SHEET 2	BLACK	C	1-1438759-2
SEE SHEET 2	WHITE	B	1-1438759-1
-	GRAY	A	1438761-6
-	BLACK	C	1438759-2
-	WHITE	B	1438759-1
ALTERNATE LATCH BRIDGE	COLOR	KEY	PART NUMBER

THIS DRAWING IS A CONTROLLED DOCUMENT.

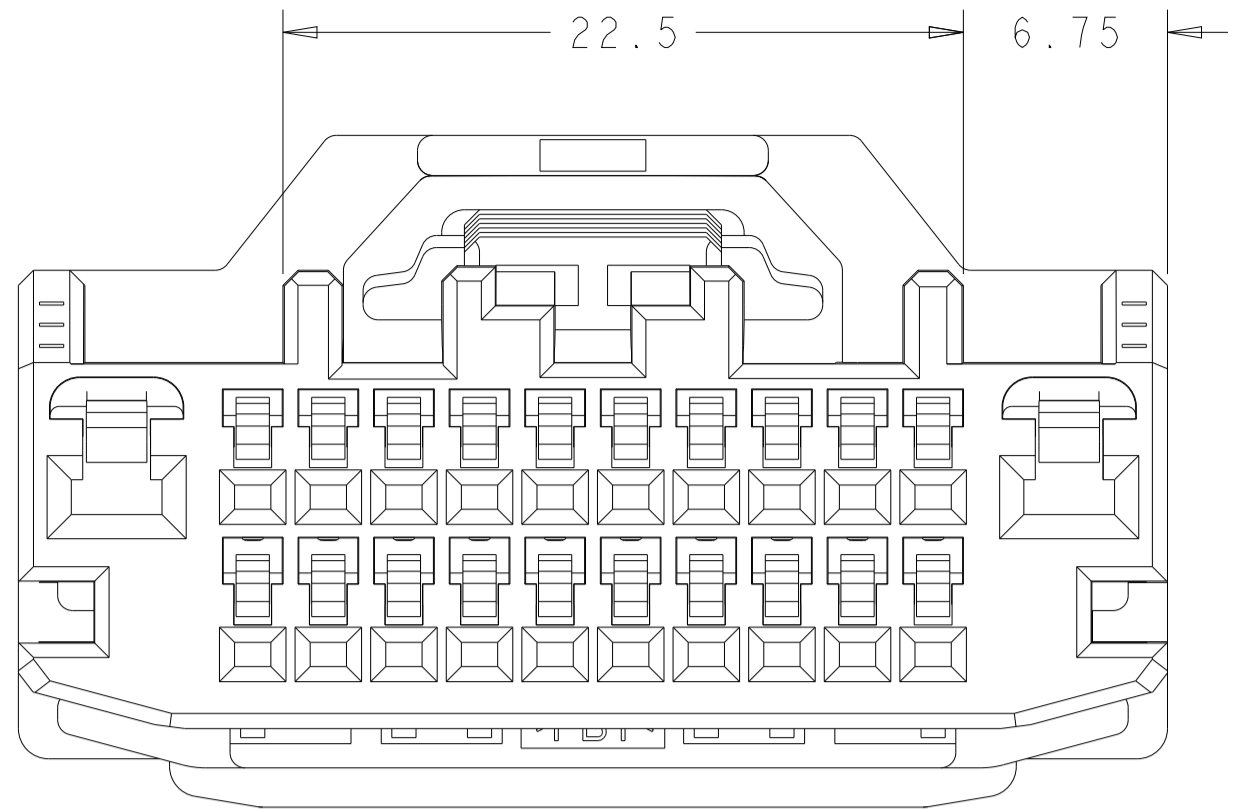
DIMENSIONS:	TOLERANCES UNLESS OTHERWISE SPECIFIED:	APVD	DATE
mm	0 PLC ±.3 1 PLC ±0.1 2 PLC ±.1 3 PLC ±.1 4 PLC ±.1 ANGLES ±°	T. MEHAFFEY	16SEP2004
MATERIAL:	FINISH:	NAME	PRODUCT SPEC
PBT	-	PLUG ASSEMBLY, 22-WAY HYBRID 040/2.8	108-2217
Customer Drawing		SIZE	RESTRICTED TO
		A100779	Customer Drawing
		SCALE	REV
		4:1	F

4805 (3/13)

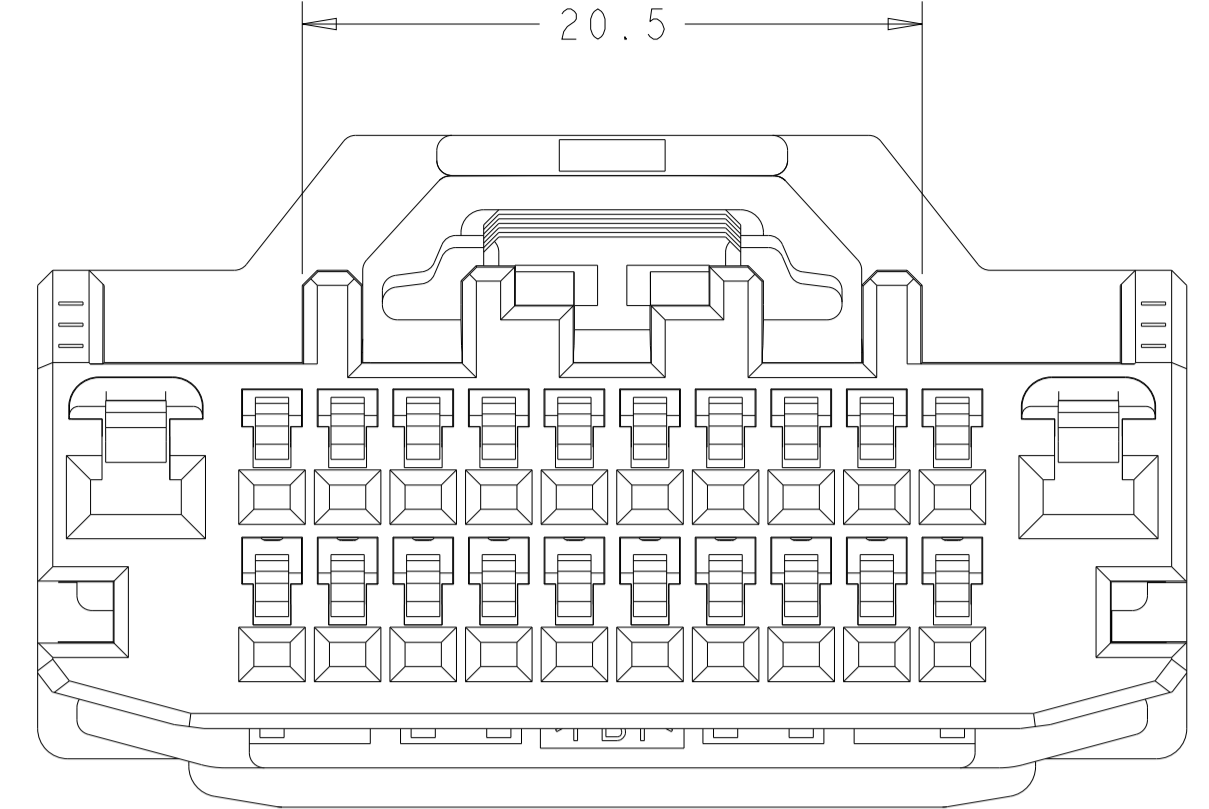
REVISIONS				
P.	LTN.	DESCRIPTION	DATE	APVD.
-	-	SEE SHEET 1	-	-



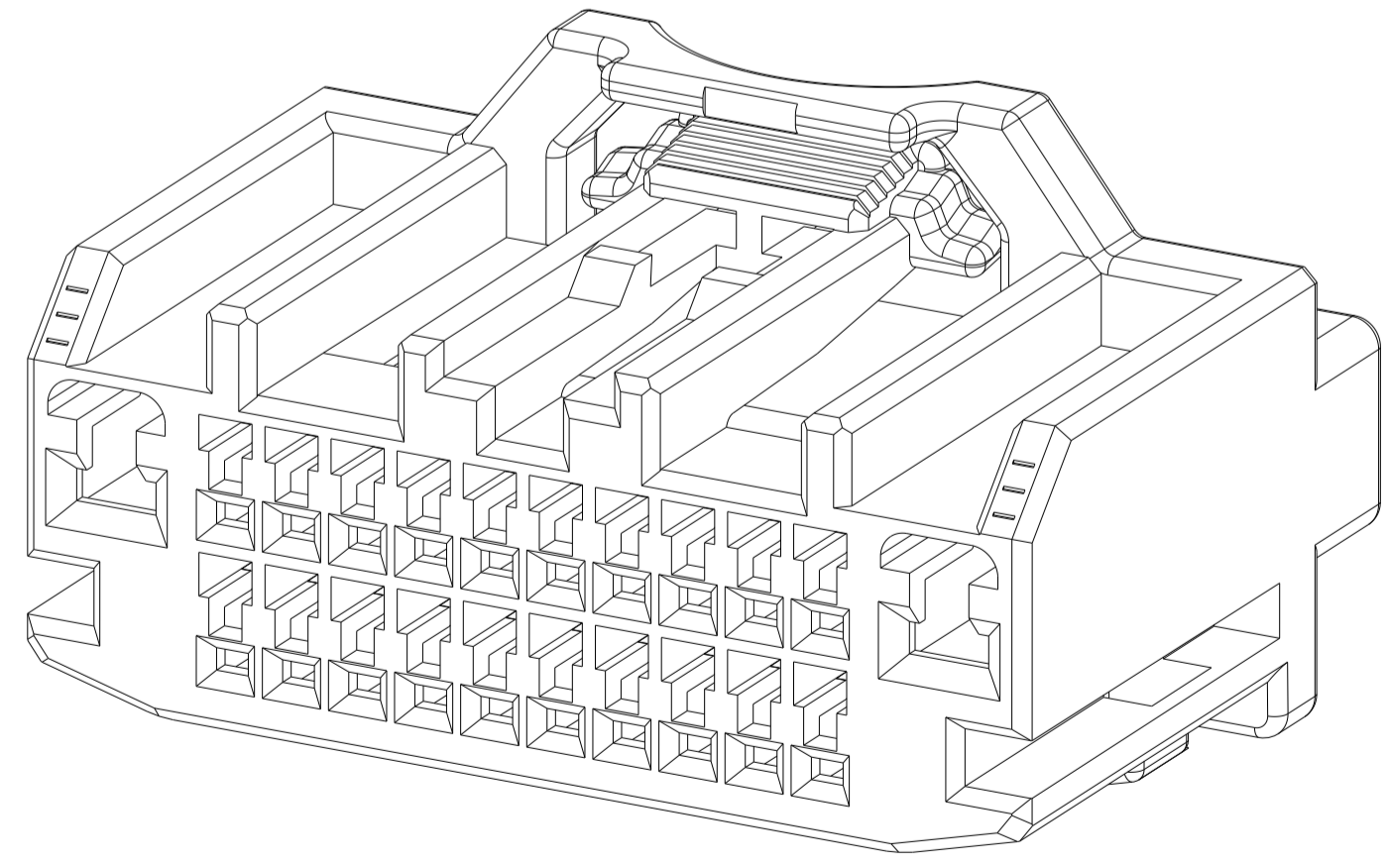
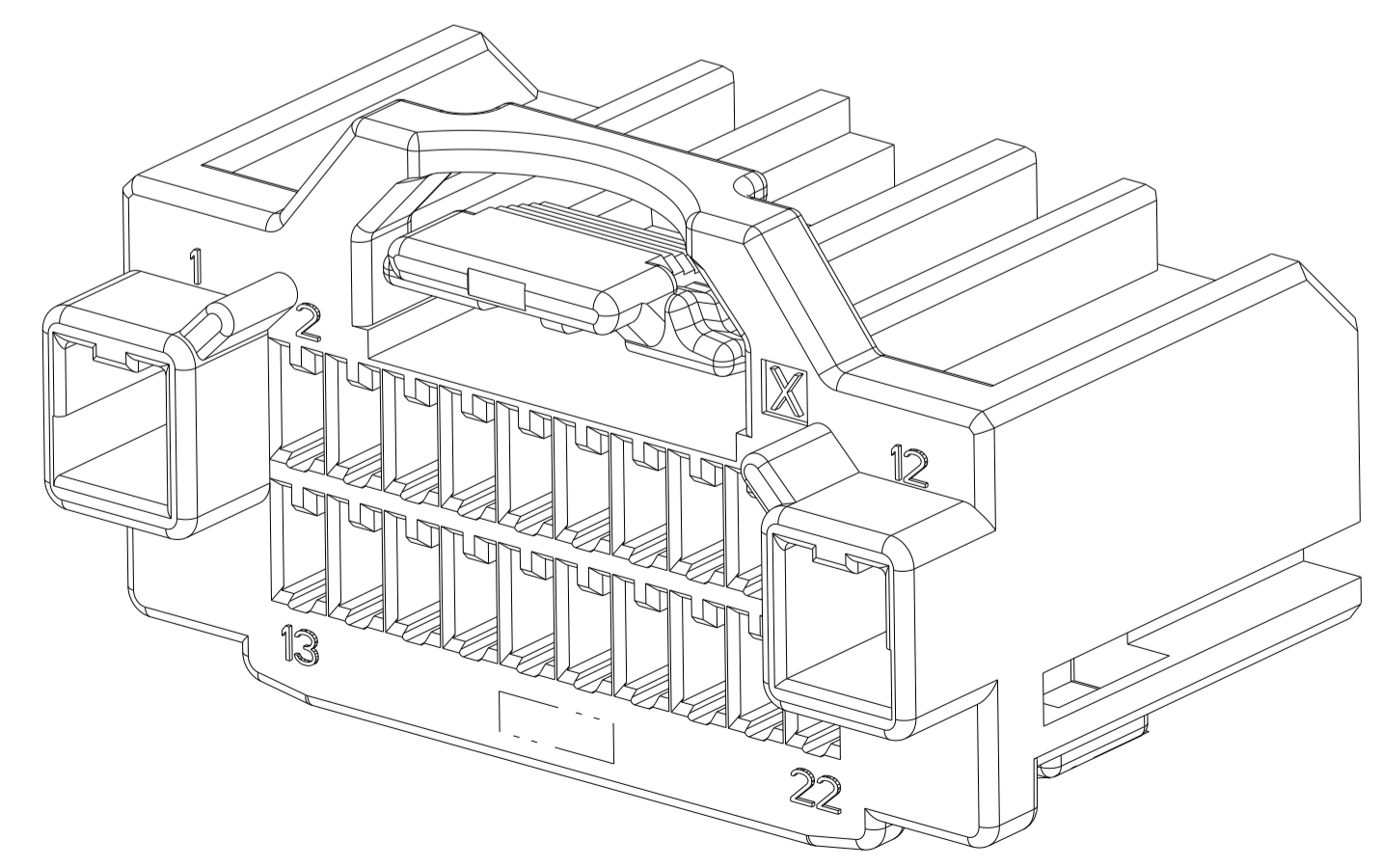
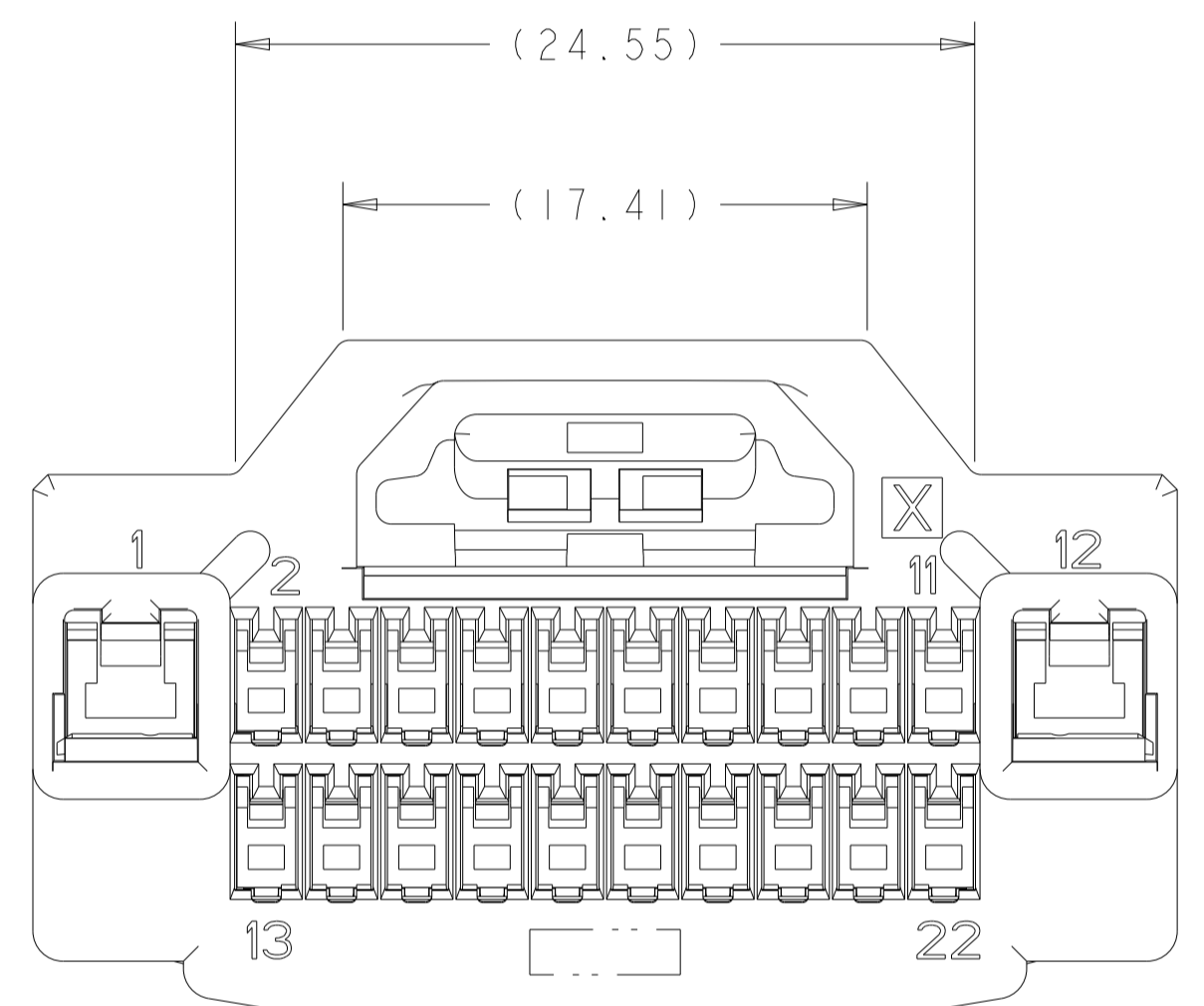
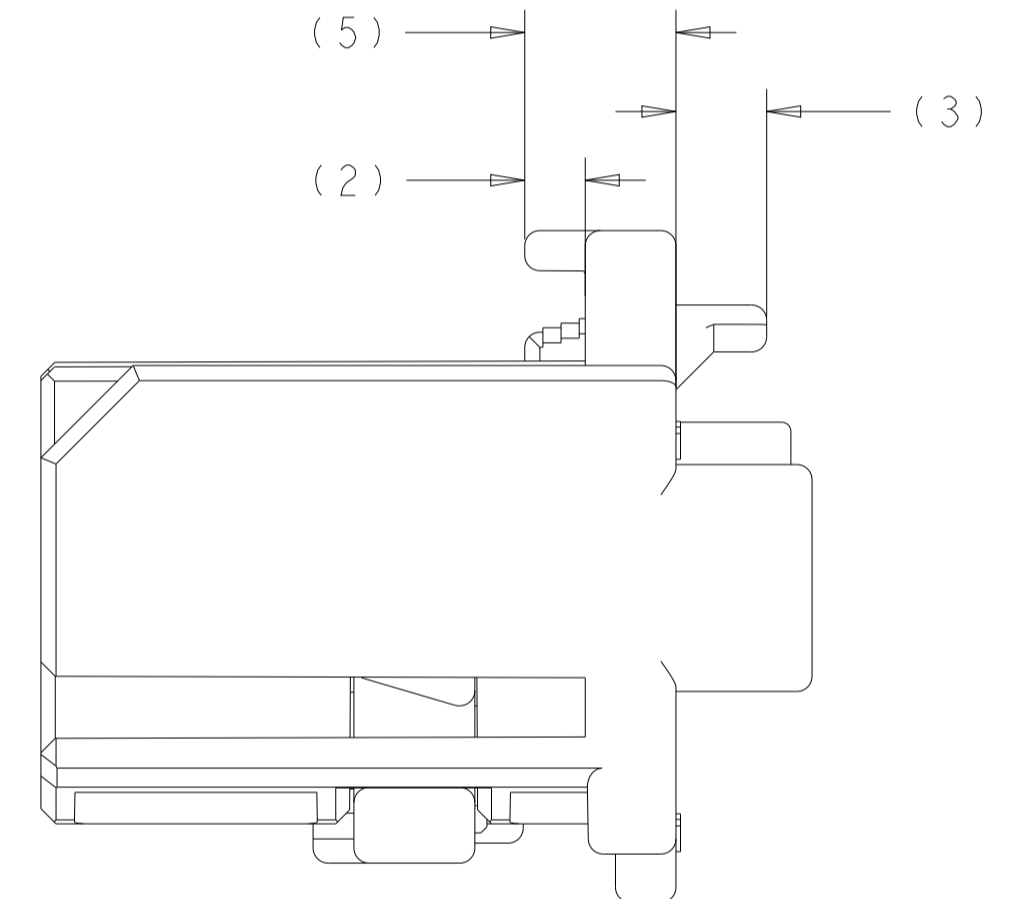
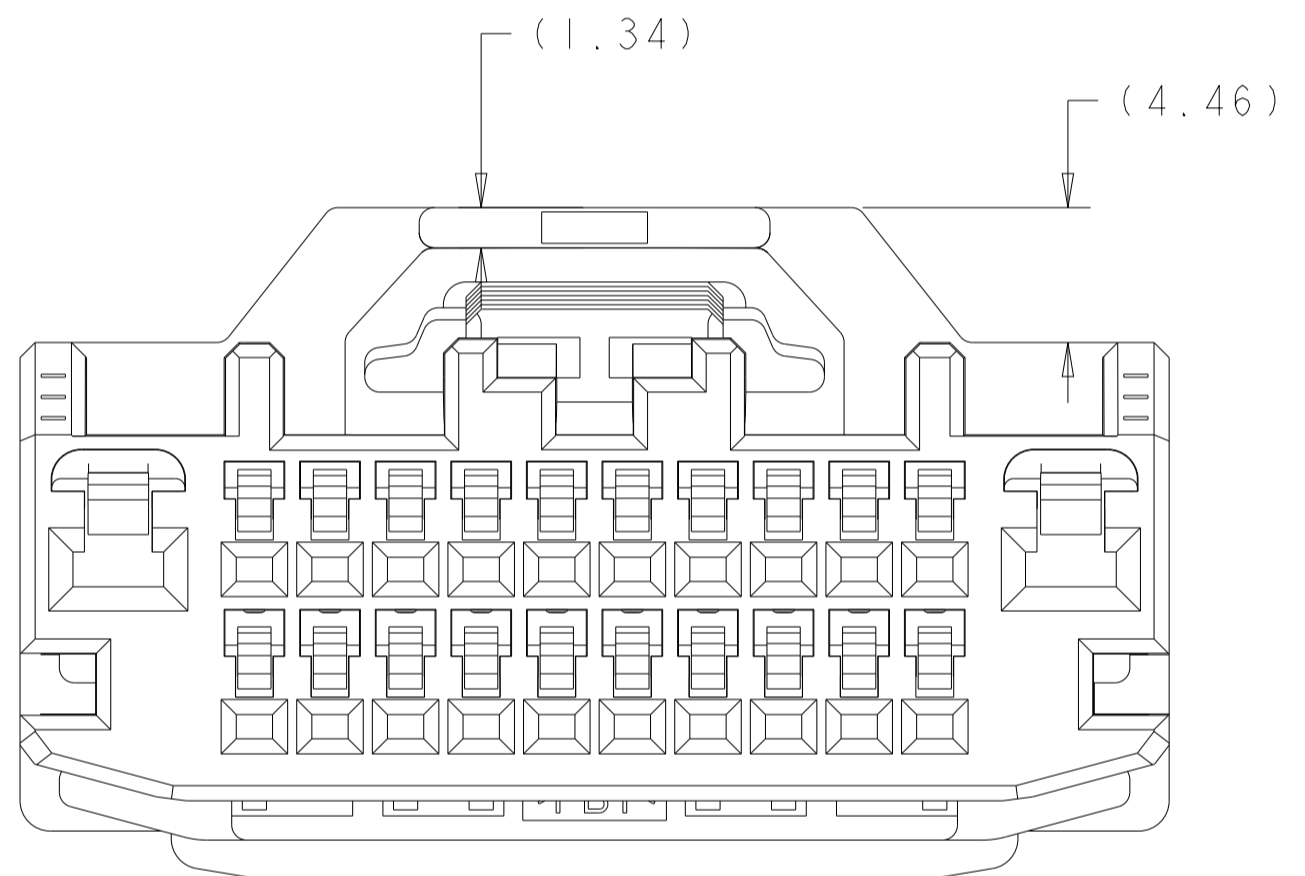
1-1438759-1  
KEY "B"  
WHITE



1-1438759-2  
KEY "C"  
BLACK



1-1438761-6  
KEY "A"  
GRAY



ALL DIMENSIONS ARE SAME AS WITHOUT LATCH BRIDGE VERSION EXCEPT THE DIMENSIONS SHOWN.

-KEY "1-1438759-1" SHOWN IN DETAILING-

THIS DRAWING IS A CONTROLLED DOCUMENT.		DWN: M. HITCHCOCK 16SEP2004	TE Connectivity
		CHK: G. MARTIN 16SEP2004	
DIMENSIONS:		APVD: T. McHAFFEY 16SEP2004	NAME: PLUG ASSEMBLY, 22-WAY HYBRID 040/2.8
TOLERANCES UNLESS OTHERWISE SPECIFIED:		PRODUCT SPEC	
mm	0 PLC ±0.3	108-2217	SIZE: CAGE CODE DRAWING NO. RESTRICTED TO A100779C=1438759
	1 PLC ±0.1	APPLICATION SPEC	
	2 PLC ±0.1	114-13158	SCALE: 4:1 SHEET 2 OF 2 REV F
	3 PLC ±0.1	WEIGHT	
	4 PLC ±0.1	Customer Drawing	
	ANGLES ±1°		
	FINISH		
MATERIAL: PBT			