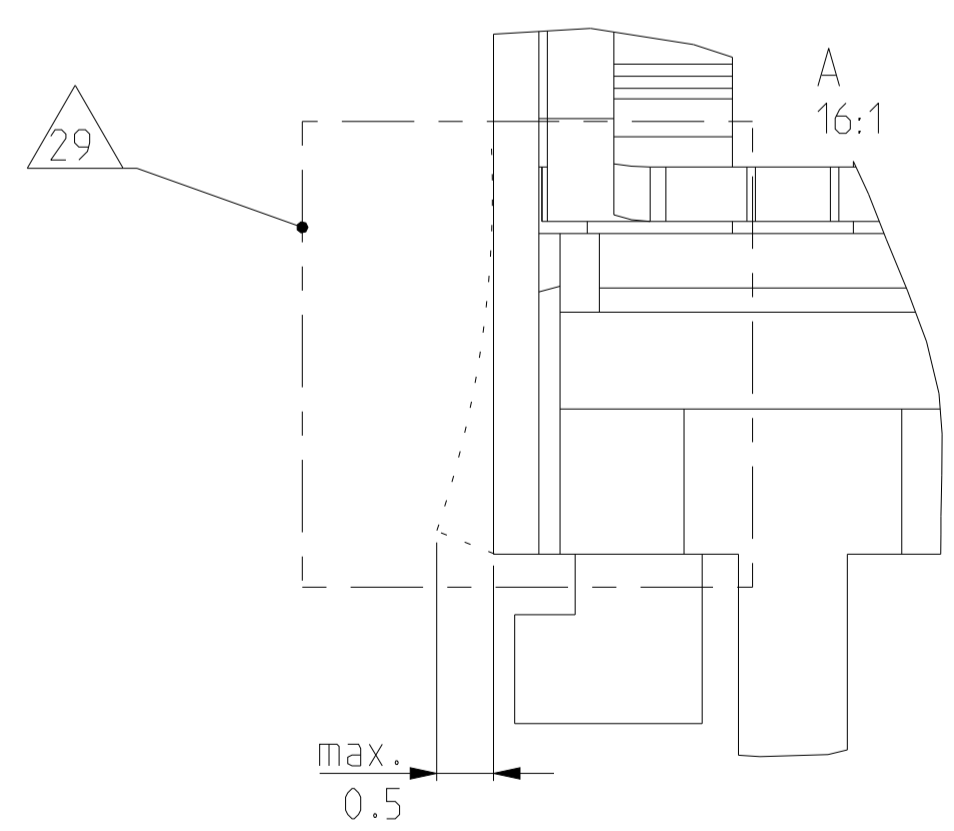
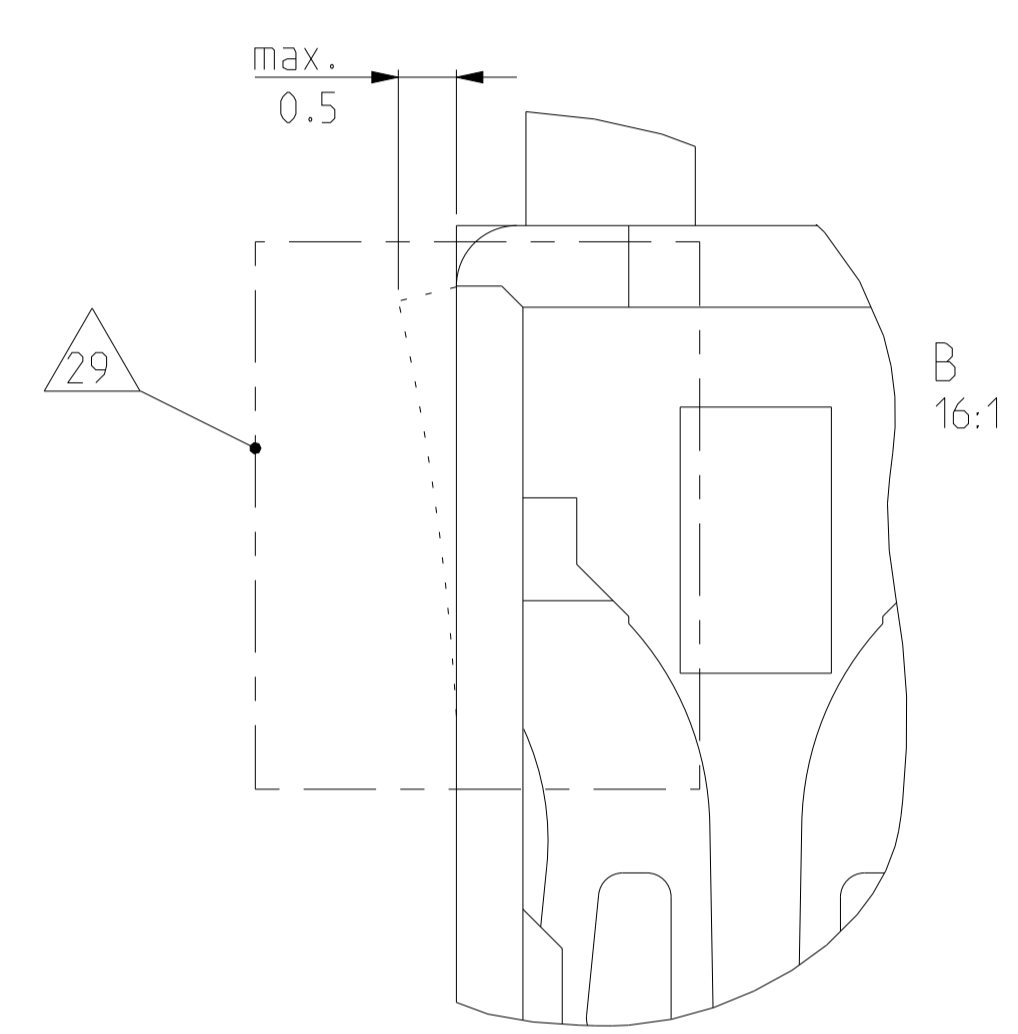
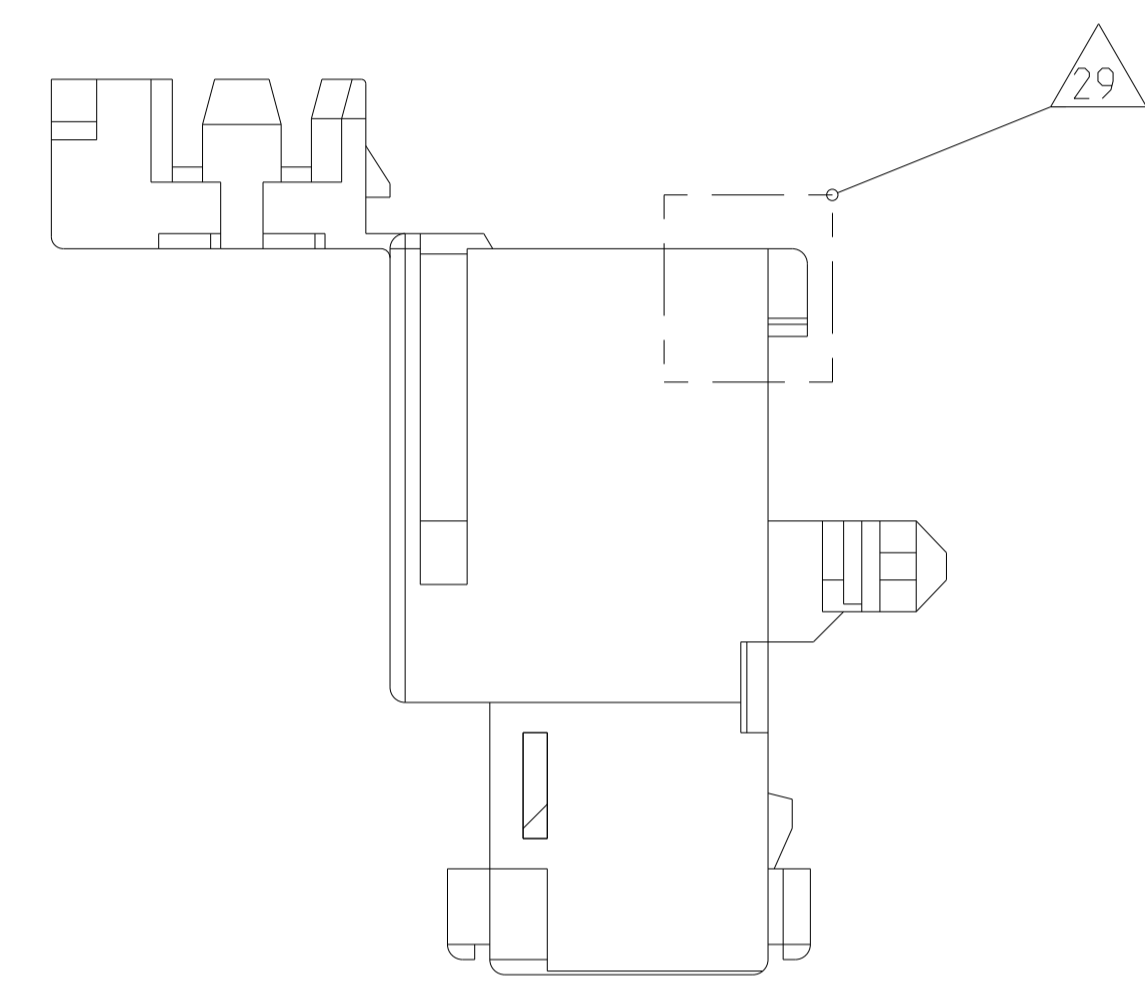
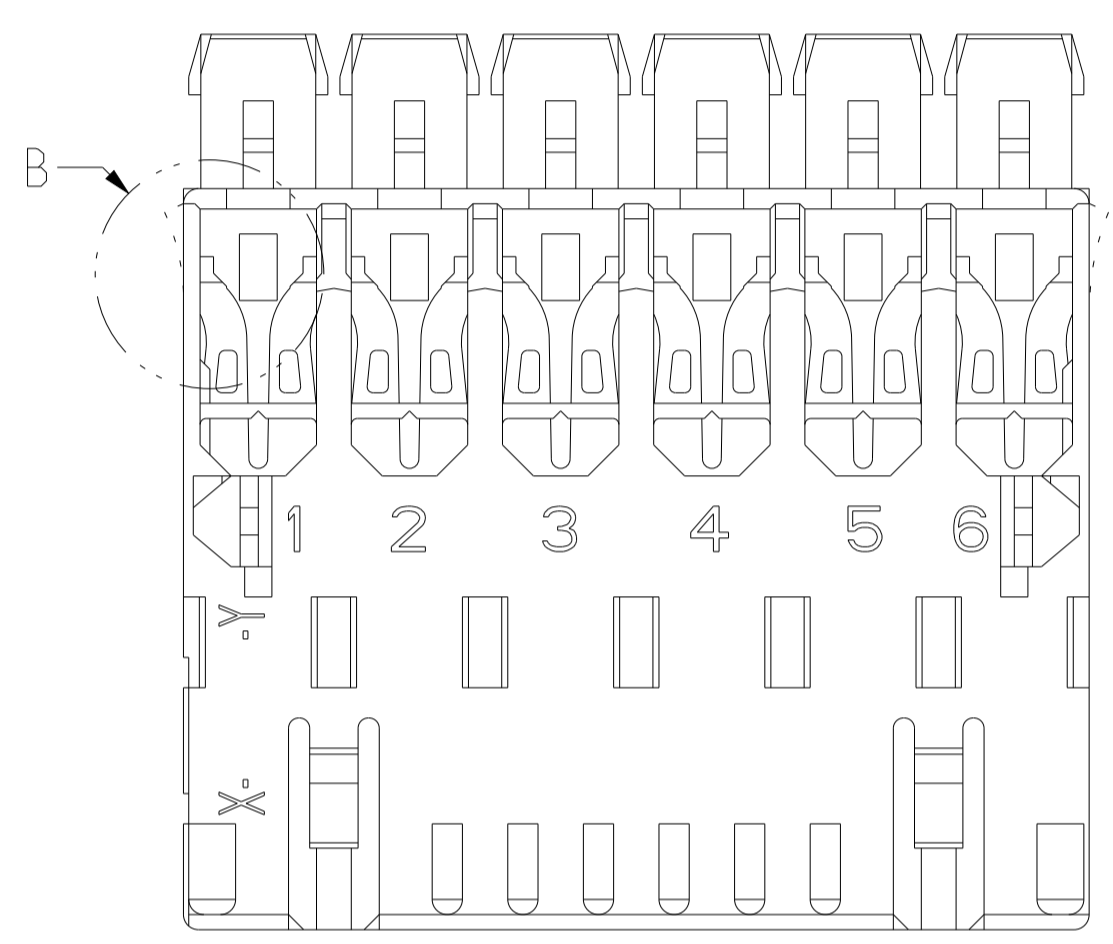




REVISIONS				
NO.	DATE	DESCRIPTION	BY	APPV
-	-	SEE SHEET 1	-	-



	8	Natur	-	-	-	-	-	-	-	35	39.95		
	27	Natur	-	-	-	-	-	-	-	35	39.95		
0-1394355-7 SUPERSEDED BY 1534077-7	7	Natur	7-1394354-7	-	7-1394355-7	-	-	-	-	30	34.95		
		Natur	0-1394354-7	-	0-1394355-7	-	-	-	-	30	34.95		
		Natur	1-1394354-7	-	1-1394355-7	-	-	-	-	25	29.95		
	6	Natur	-	-	-	-	-	-	-	25	29.95		
		Natur	-	-	-	-	-	-	-	25	29.95		
1-1394355-5 SUPERSEDED BY 1-1534077-5	5	Natur	1-1394354-5	-	1-1394355-5	-	-	-	-	20	24.95		
0-1394355-5 SUPERSEDED BY 1534077-5		Natur	0-1394354-5	-	0-1394355-5	-	-	-	-	20	24.95		
	4	Natur	1-1394354-4	-	1-1394355-4	-	-	-	-	15	19.95		
0-1394355-4 SUPERSEDED BY 1534077-4		Natur	0-1394354-4	-	0-1394355-4	-	-	-	-	15	19.95		
1-1394355-3 SUPERSEDED BY 1-1534077-3	3	Natur	1-1394354-3	-	1-1394355-3	-	-	-	-	10	14.95		
0-1394355-3 SUPERSEDED BY 1534077-3		Natur	0-1394354-3	-	0-1394355-3	-	-	-	-	10	14.95		
0-1394355-2 SUPERSEDED BY 1534077-2	2	Natur	0-1394354-2	-	0-1394355-2	-	-	-	-	5	9.95		
0-1241170-1 SUPERSEDED BY 1534072-1	1	Natur	0-969519-1	-	0-1241170-1	-	-	-	-	-	4.95		
0-1241171-1 SUPERSEDED BY 1534073-1													
	POS.-NO. Polzahl	COLOR Farbe	HOUSING-NO. Gehäuse-Nr.	Rev.	ASSY NO. Assy Nr.	Rev.				ASSY NO. Assy Nr.	Rev.	DIM "X" Mass "X"	DIM "Y" Mass "Y"

NOTES SEE SHEET 1  
Notizen, siehe Blatt 1

THIS DRAWING IS A CONTROLLED DOCUMENT.		OWN M. Ofenloch	21AUG2003		TE Connectivity
DIMENSIONS: mm		CHK G. Barlosch	21AUG2003		
TOLERANCES UNLESS OTHERWISE SPECIFIED:		APVD		NAME	
0 PLC ±0.2		PRODUCT SPEC		2-8pos. AMP multifitting Mark II	
1 PLC ±		APPLICATION SPEC		ASSEMBLY PITCH 5mm	
2 PLC ±		WEIGHT		TAB VERSION INTERIOR LOCKING	
3 PLC ±		SCALE		SIZE	
4 PLC ±		4:1		CAGE CODE	
ANGLES ±2°		SHEET		DRAWING NO	
FINISH		2 OF 2		00779	
MATERIAL PA 6.6		REV. C		C=1394355	
		CUSTOMER DRAWING		DRAWING NO	