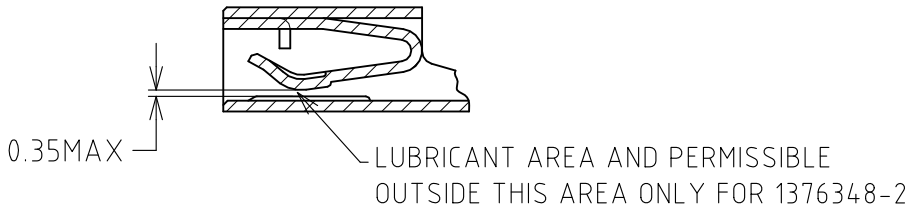
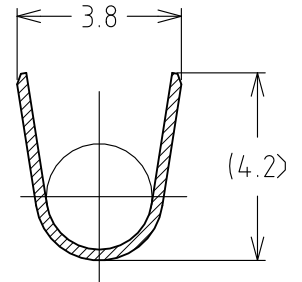
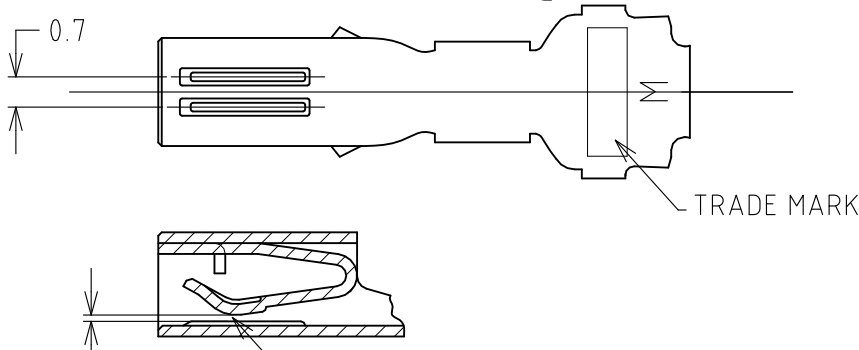
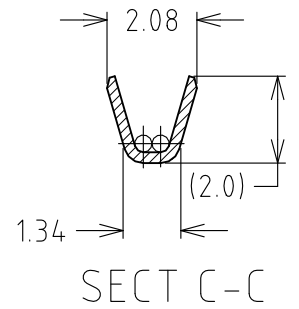
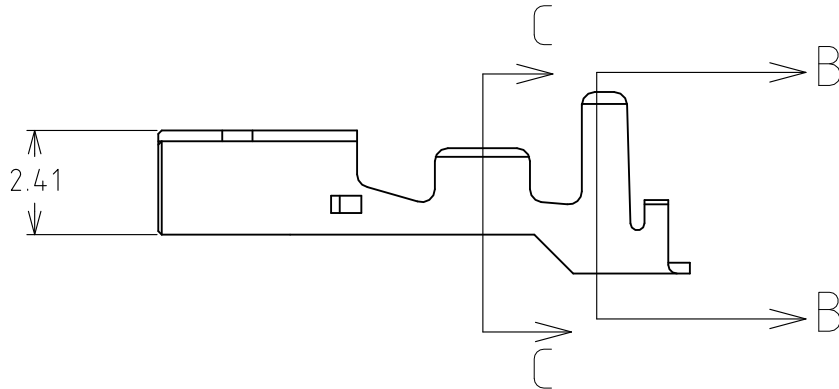
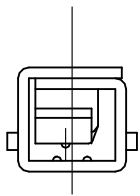
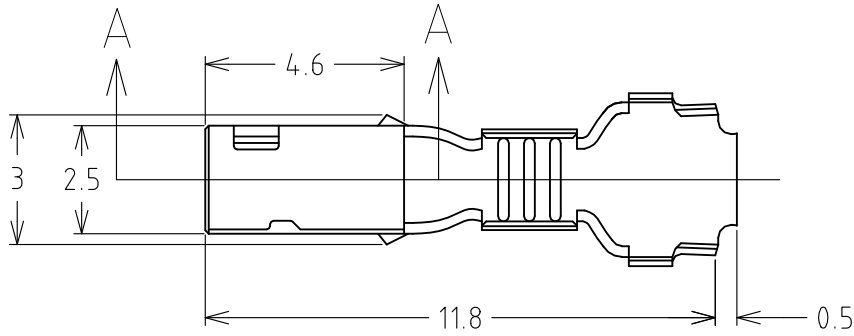


REVISIONS					
P	LTR	DESCRIPTION	DATE	DWN	APVD
	B4	REVISED	03APL2023	K.S	D.Z



SECT A-A

AWG#24~#20 (0.22~0.53mmsq)	1.7~2.7	1376348-2
AWG#24~#20 (0.22~0.53mmsq)	1.7~2.7	1376348-1
WIER RANGE	INSULATION DIA	型番 PART NO.

RELEASED FOR PUBLICATION

ALL RIGHTS RESERVED.

© COPYRIGHT - TE Connectivity

THIS DRAWING IS UNPUBLISHED.

DIMENSIONS: mm	DWN M.SUZUKI 16MAY2008	MATERIAL PRE-TIN COPPER ALLOY	FINISH TIN
	CHK S.MANABE 19MAY08	TE Connectivity	
TOLERANCES UNLESS OTHERWISE SPECIFIED:	APVD S.MANABE 19MAY08		
	PRODUCT SPEC 108-5699	SIZE A4	CAGE CODE 00779
0 PLC ± 1 PLC ± 2 PLC ± 3 PLC ± 4 PLC ± ANGLES ± 2DEG	APPLICATION SPEC 114-5292	WEIGHT 0.000000	RESTRICTED TO -
CUSTOMER DRAWING		SCALE 6:1	SHEET 1 OF 1
		REV B4	