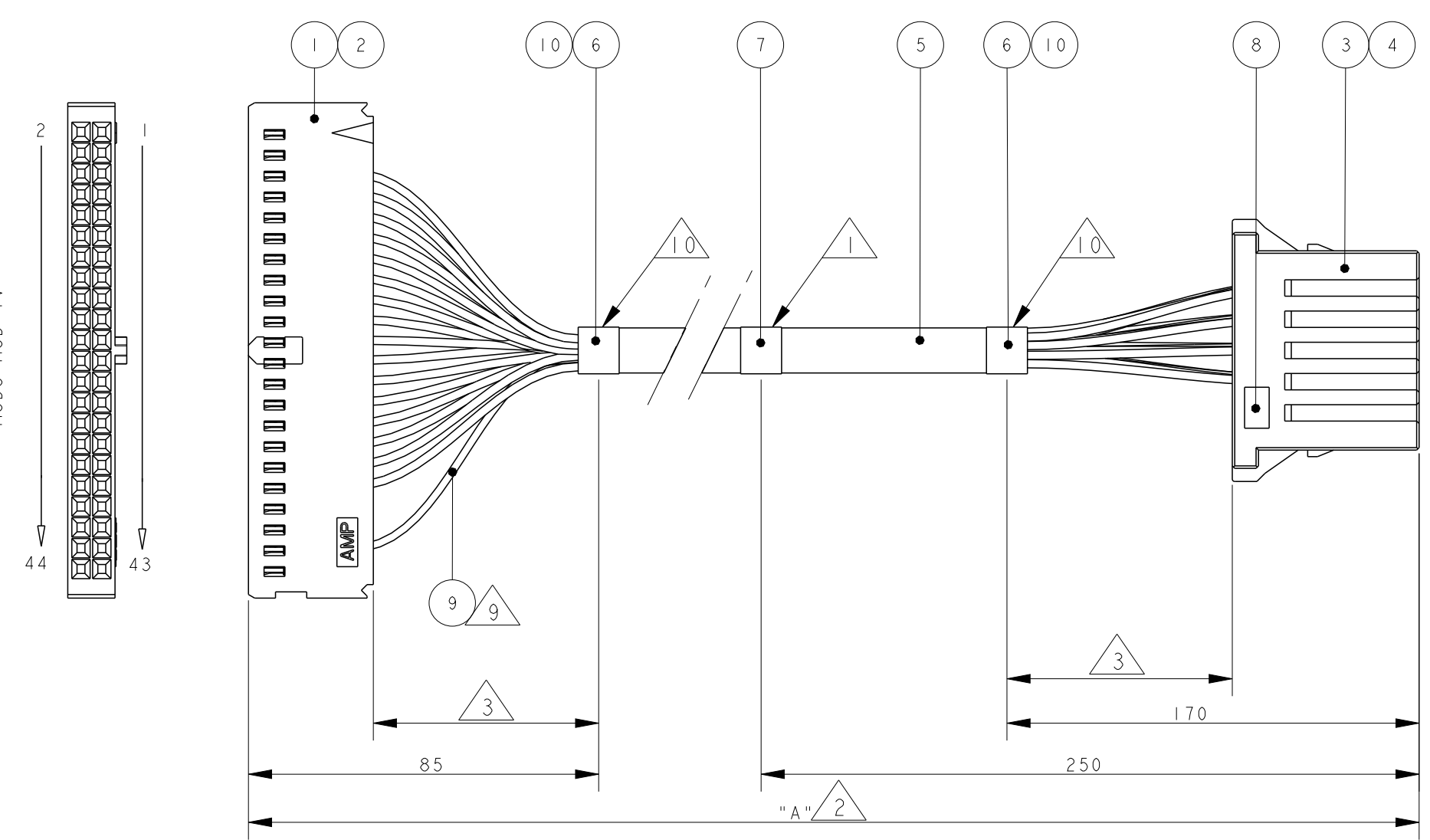
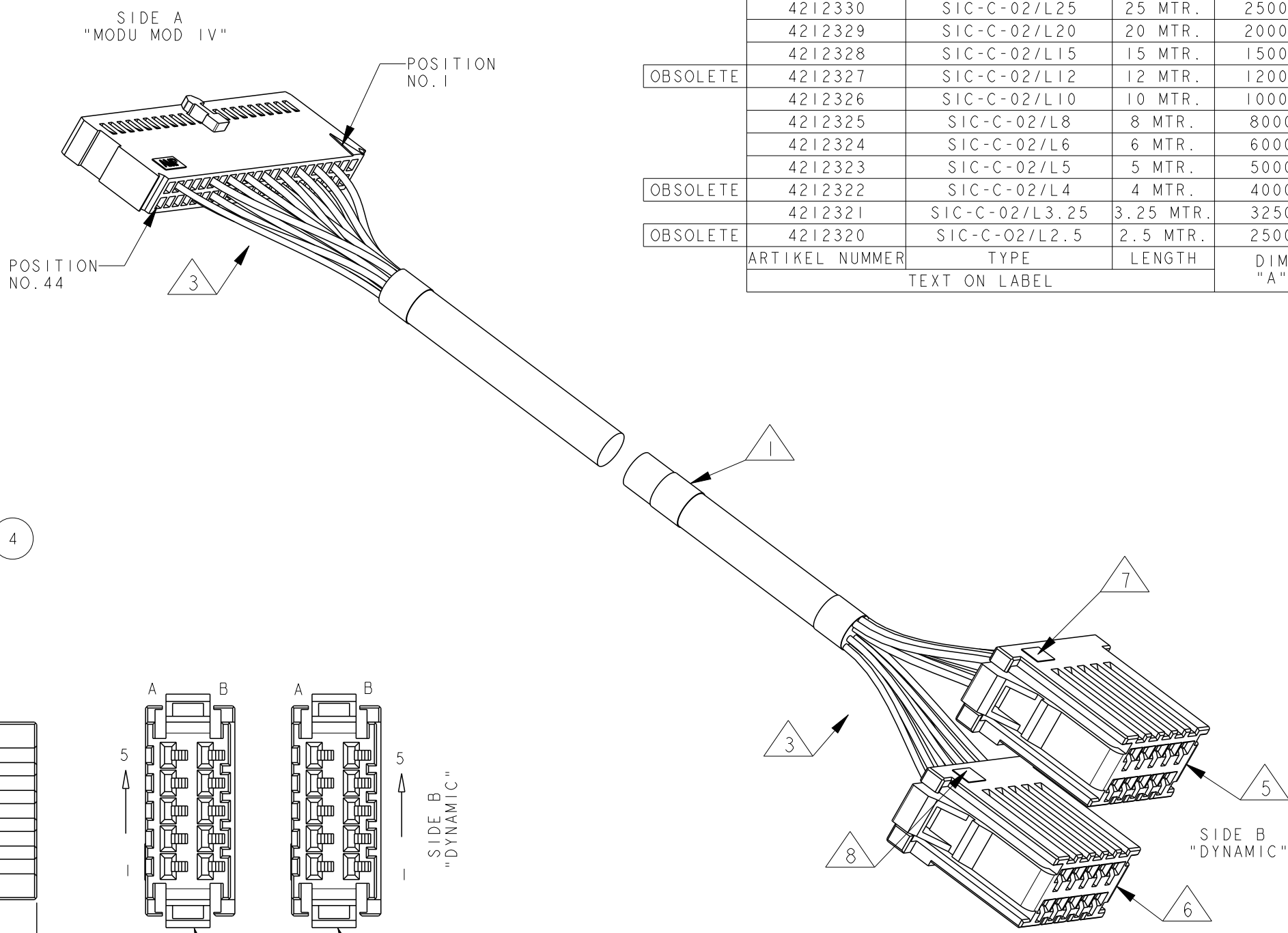


THIS DRAWING IS UNPUBLISHED. RELEASED FOR PUBLICATION 20
 © COPYRIGHT 20 BY - ALL RIGHTS RESERVED.

CABLE TYPE		SIC-C-02	SIC-P-02
10201/2/1. 10215/2/1. SIGNALS	BACK PLANE 4-215243-4 PINS.	FTA: 178325-2 SIC: 178289-5 (ON FTA: 2 CONN. A/B)	CRIMP PINS (COLOR CODE)
BRAID	41	N.C.	YELLOW/GREEN
1+	36	A-A5	WHITE
1-	33	A-B5	BROWN
2+/1+	32	A-A4	GREEN
2-/1-	29	A-B4	YELLOW
3+/2+	28	A-A3	GREY
3-/2-	25	A-B3	PINK
4+/2+	24	A-A2	BLUE
4-/2-	21	A-B2	RED
5+/3+	20	B-A5	BLACK
5-/3-	17	B-B5	VIOLET
6+/3+	16	B-A4	GREY/PINK
6-/3-	13	B-B4	RED/BLUE
7+/4+	12	B-A3	WHITE/GREEN
7-/4-	9	B-B3	BROWN/GREEN
8+/4+	8	B-A2	WHITE/YELLOW
8-/4-	5	B-B2	YELLOW/BROWN

PIN ALLOCATION FOR FTA/CRIMP PIN
FOR 10201/2/1. 10215/2/1

REVISIONS						
P	LTR	DESCRIPTION	DATE	DWN	APVD	
	J8	ECR-14-017105	24NOV2014	TB	AVZ	
OBsolete	4212332	SIC-C-02/L40	40 MTR.	40000	+1365012-3	
	4212331	SIC-C-02/L30	30 MTR.	30000	1-1365012-2	
	4212330	SIC-C-02/L25	25 MTR.	25000	1-1365012-1	
	4212329	SIC-C-02/L20	20 MTR.	20000	1-1365012-0	
	4212328	SIC-C-02/L15	15 MTR.	15000	1365012-9	
OBsolete	4212327	SIC-C-02/L12	12 MTR.	12000	+1365012-8	
	4212326	SIC-C-02/L10	10 MTR.	10000	1365012-7	
	4212325	SIC-C-02/L8	8 MTR.	8000	1365012-6	
	4212324	SIC-C-02/L6	6 MTR.	6000	1365012-5	
	4212323	SIC-C-02/L5	5 MTR.	5000	1365012-4	
OBsolete	4212322	SIC-C-02/L4	4 MTR.	4000	1365012-3	
	4212321	SIC-C-02/L3.25	3.25 MTR.	3250	1365012-2	
OBsolete	4212320	SIC-C-02/L2.5	2.5 MTR.	2500	1365012-1	
ARTIKEL NUMMER		TYPE	LENGTH	DIM "A"	TE PARTNUMBER	
TEXT ON LABEL						



NOTES:

- 1 TEXT ON LABEL:
ARTIKELNUMMER: ...
TYPE: ...
LENGTH: ...
WW/YY: ...
 → FILL IN TEXT AS DISPLAYED IN TABLE WITH CAPITAL LETTERS
 → WEEKNUMBER AND YEAR OF CABLE PRODUCTION, EXAMPLE: 32/98
- 2 WIRE LENGTH SHOWN IN DASHNUMBER TABLE
- 3 NO TENSION ON ANY WIRE IN THIS AREA
- 4 QTY. PER ASS'Y IS THE SAME FOR ALL PARTNUMBERS SHOWN IN TABLE
- 5 CONNECTOR A IN WIRING TABLE
- 6 CONNECTOR B IN WIRING TABLE
- 7 TEXT ON LABEL: A
- 8 TEXT ON LABEL: B
- 9 SOLDER WIRE ITEM 9 TO BRAID OF CABLE AT SIDE A AND INSULATE WITH ITEM 10
- 10 CUT OFF WIRES WHICH ARE NOT USED IN THIS AREA AND INSULATE THIS AREA WITH ITEM 6 AT BOTH SIDES

10	3340944001	HEAT SHRINKABLE TUBING 10mm	AR
9	1698211-1	DRAINWIRE AWG 22 UL1007 YELLOW/GREEN	1
8	3-161183-6	BPT LABEL 36	2
7	3-161183-4	BPT LABEL 34	1
6	0163264001	HEAT SHRINKABLE TUBING (20 mm)	2
5	-	20 x 22AWG SHIELDED UL CABLE	AR
4	175195-2	DYNAMIC REC. CONTACT	16
3	178289-5	10 POS. DYNAMIC HOUSING	2
2	167301-4	MODU MOD IV REC. CONTACT	17
1	1-102387-3	44 POS. MODU MOD IV HOUSING	1
ITEM PARTNUMBER DESCRIPTION			QTY. Δ

THIS DRAWING IS A CONTROLLED DOCUMENT.

DWN: R.E. STAM
CHK: G. BREUKINK
APVD: J.V. GRUNSVEN

NAME: SIC-C-02 SHIELDED (MODU MOD IV / DYNAMIC LEAD)

PRODUCT SPEC: -
APPLICATION SPEC: -
WEIGHT: -

SIZE: A2
CAGE CODE: -
DRAWING NO: C-1365012
RESTRICTED TO: -

Customer Drawing SCALE: 3:2 SHEET: 1 OF 1 REV: J8