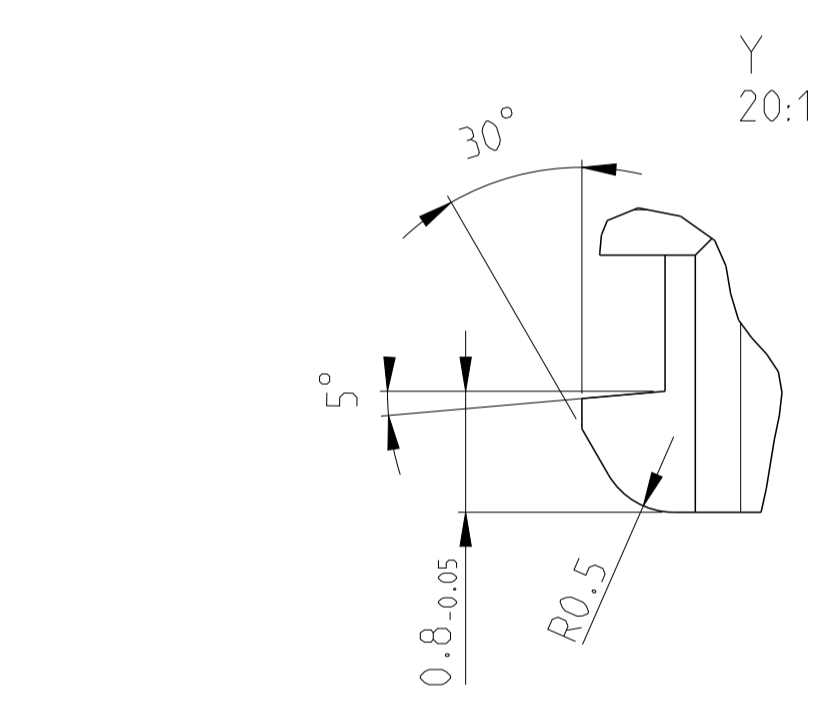
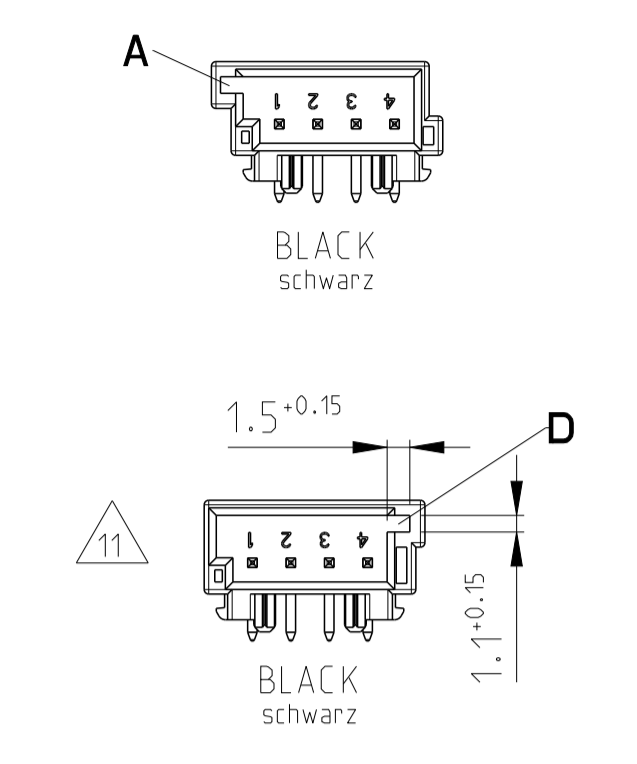
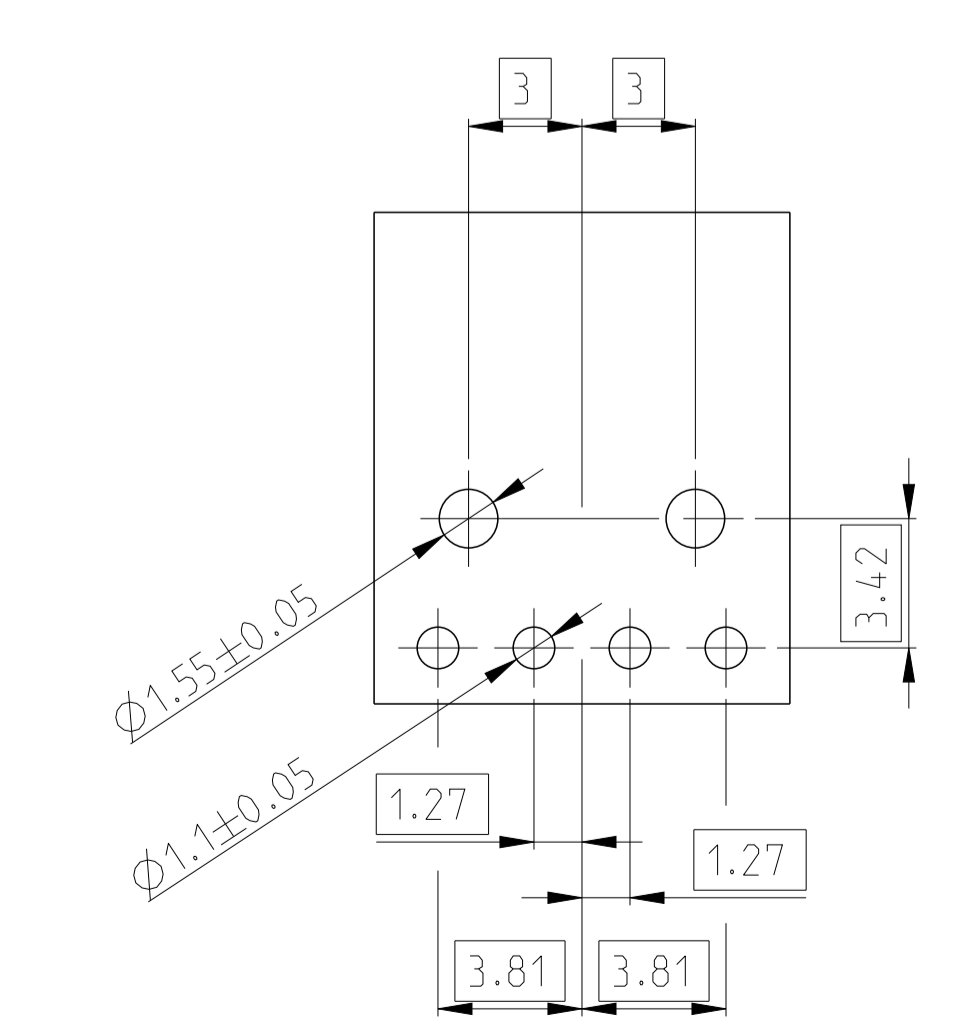


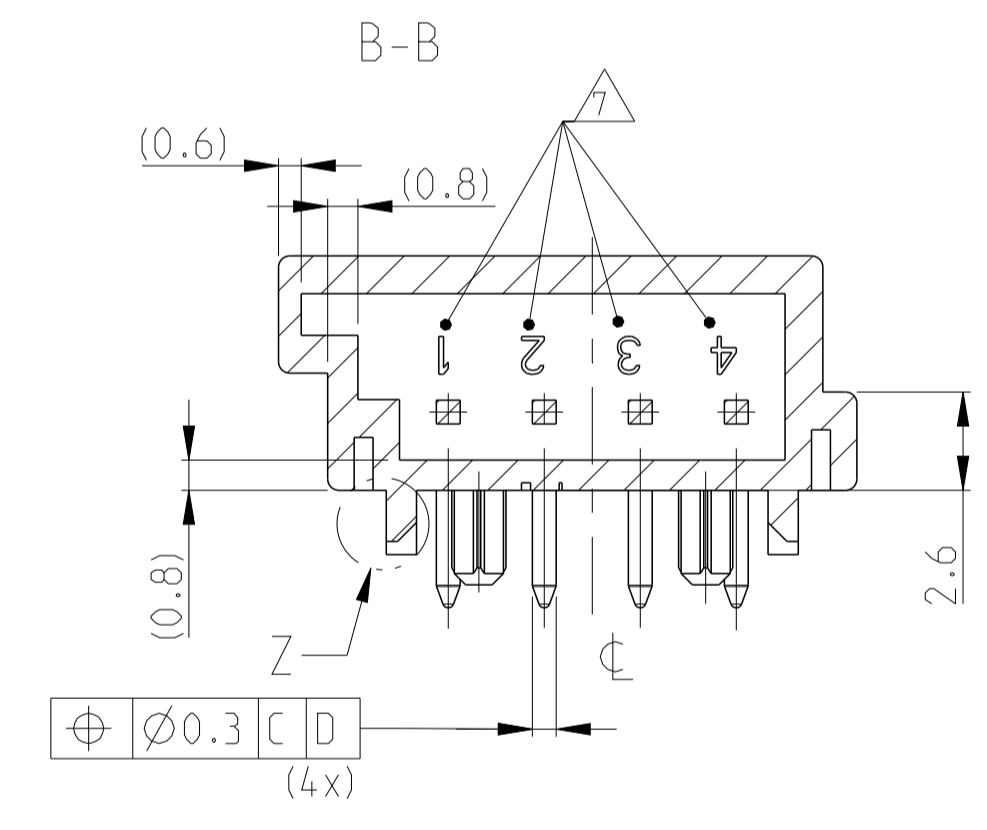
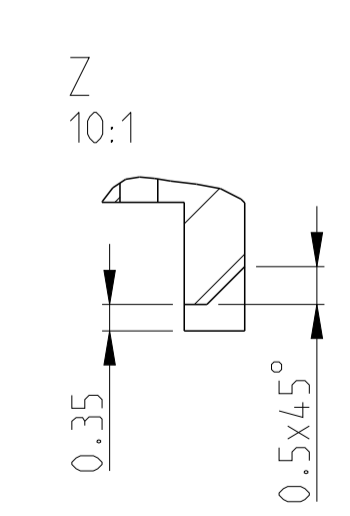
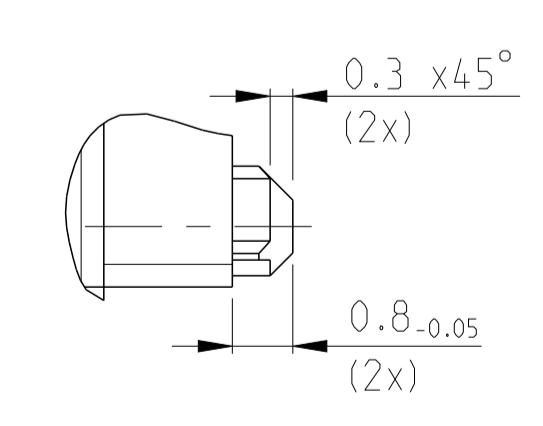
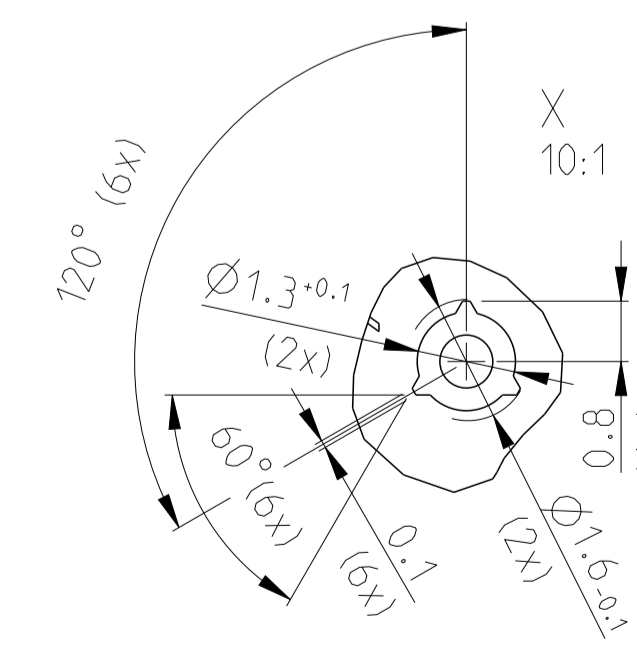
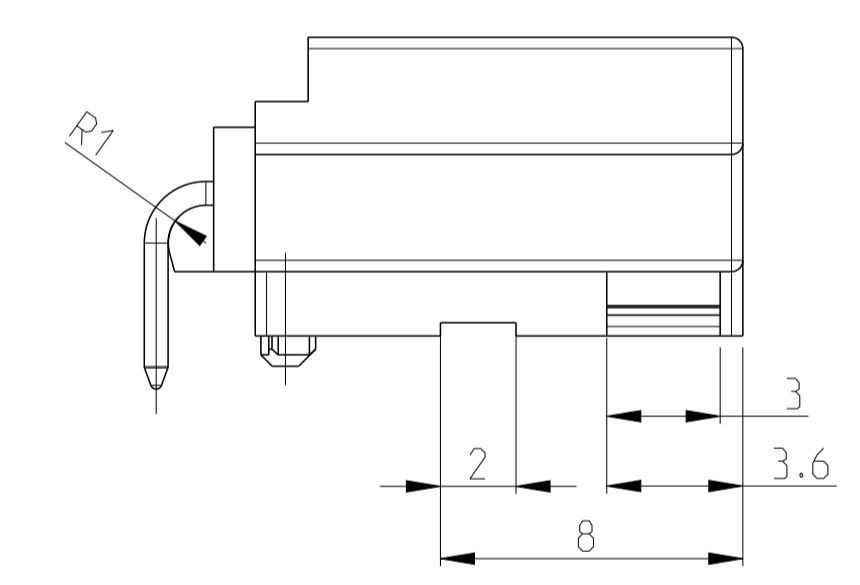
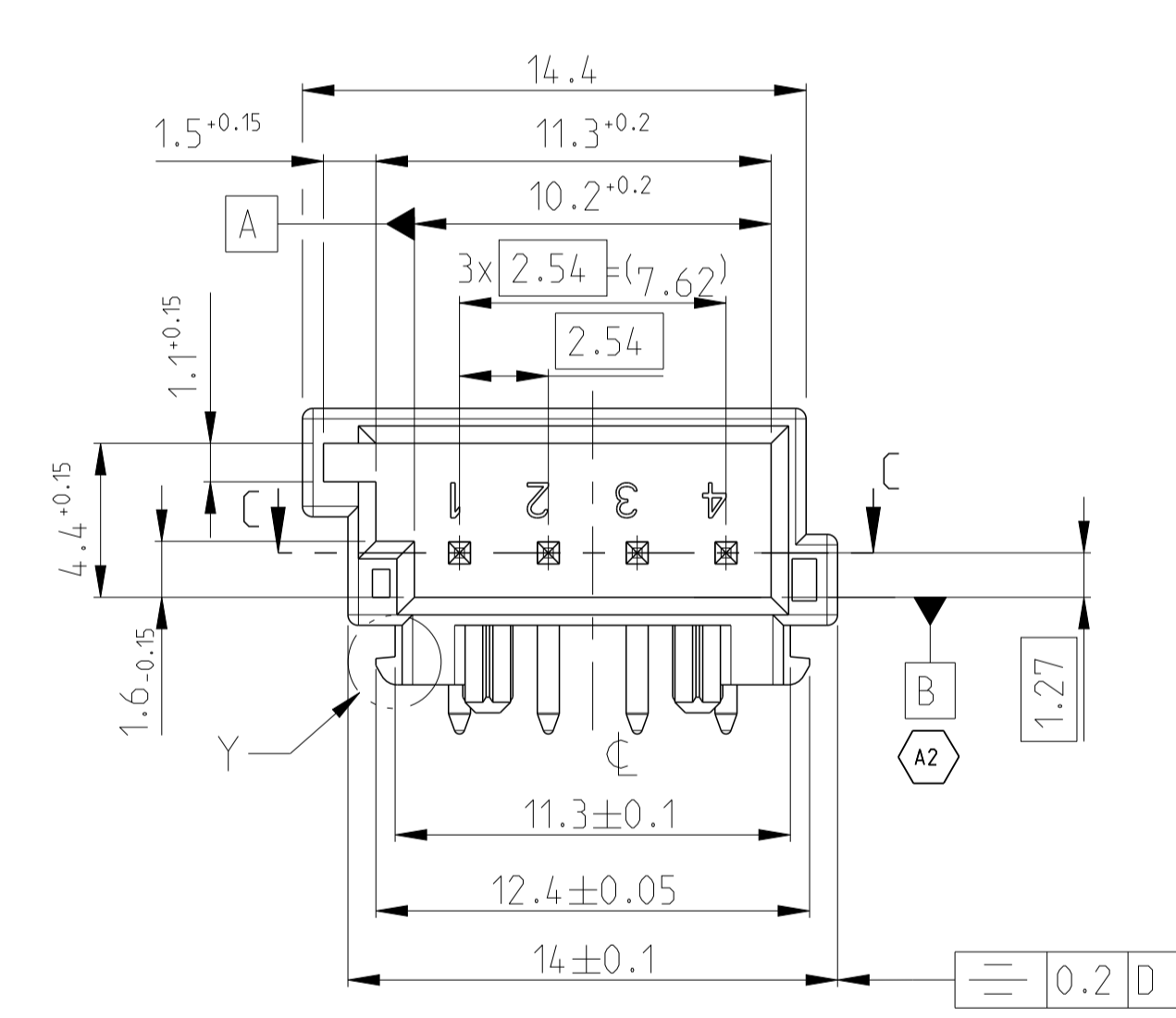
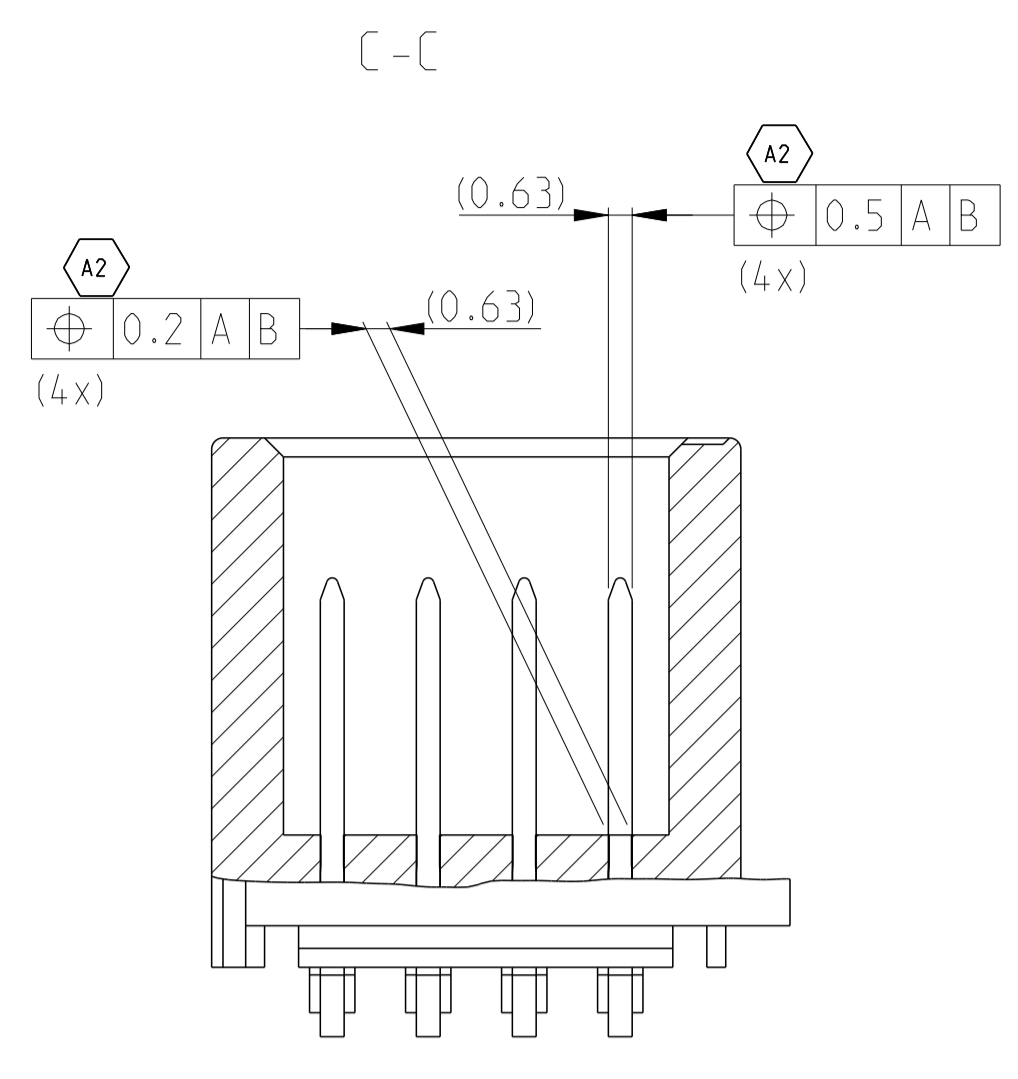
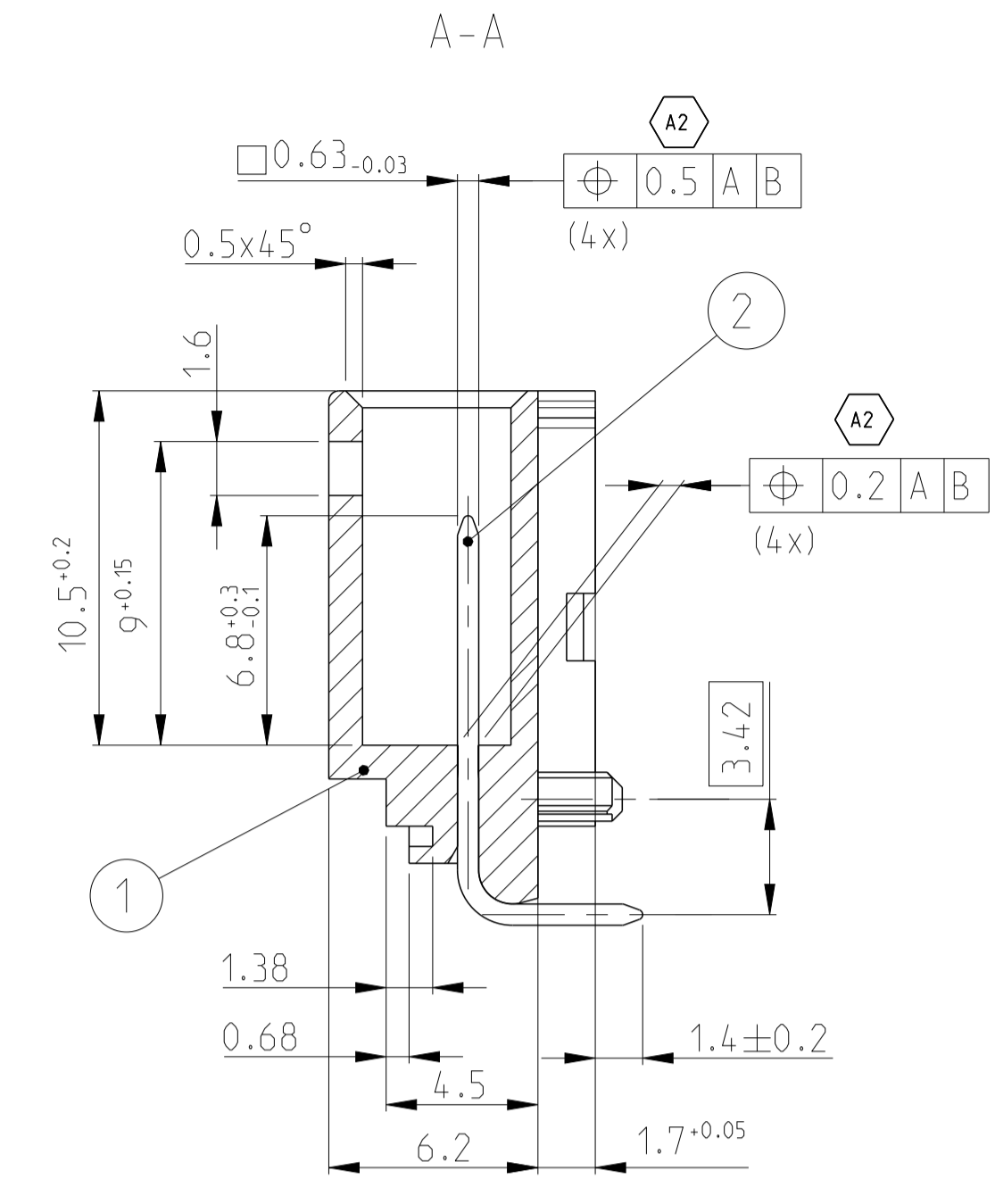
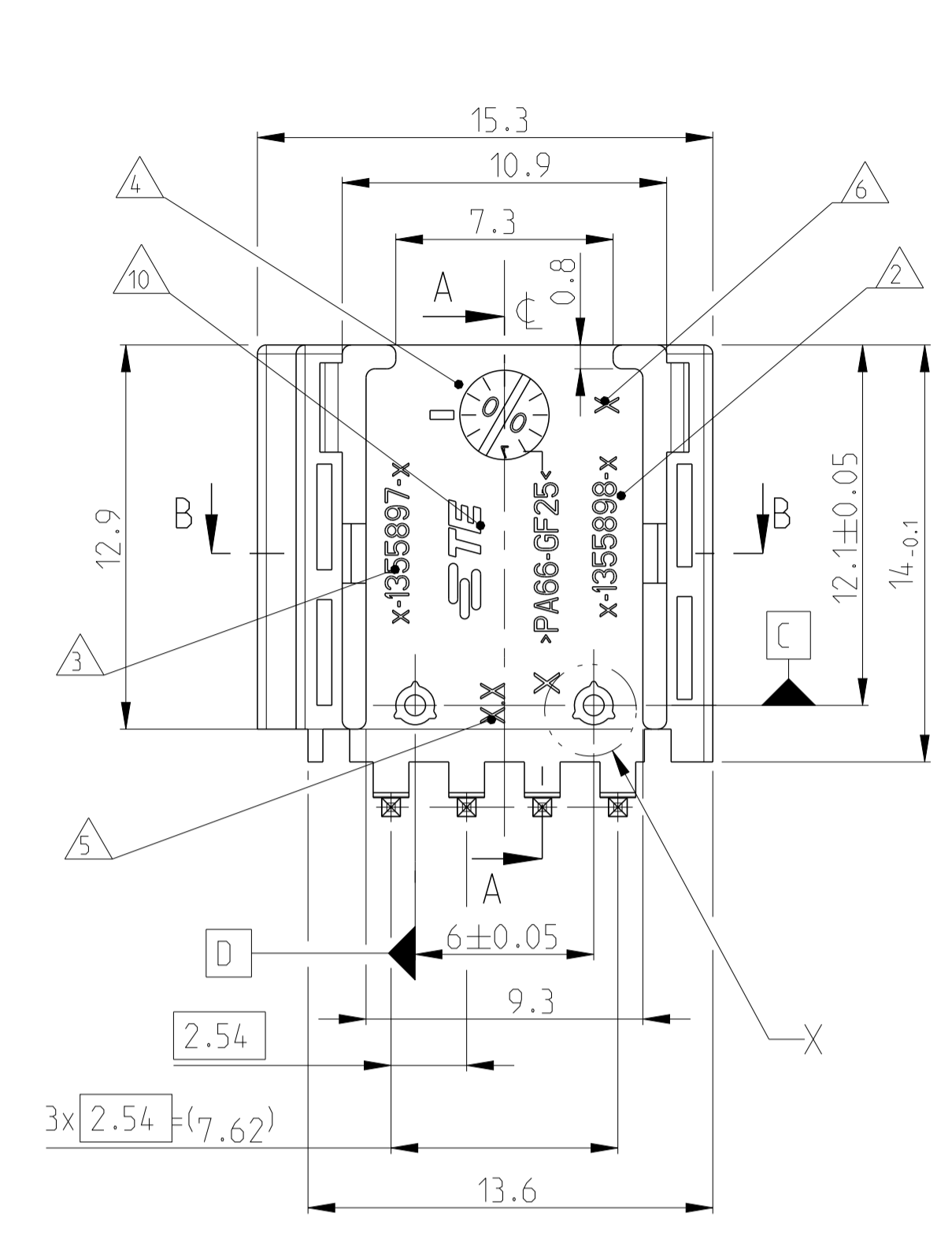
CODING
Kodierung
2:1



POSSIBLE PCB LAYOUT
CUSTOMER IS RESPONSIBLE FOR LAYOUT
Mogliches Leiterplattenlayout
Kunde ist fuer Layout verantwortlich

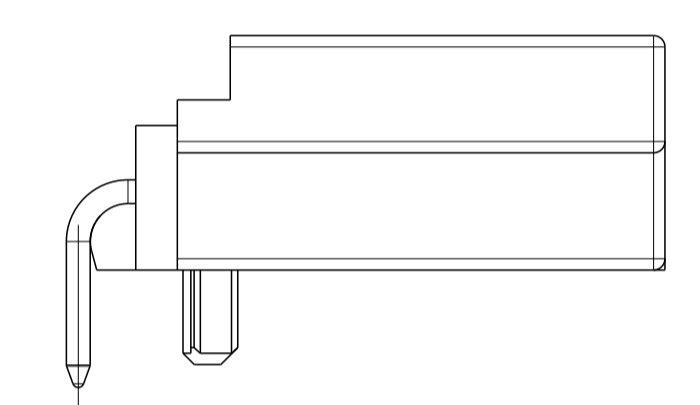
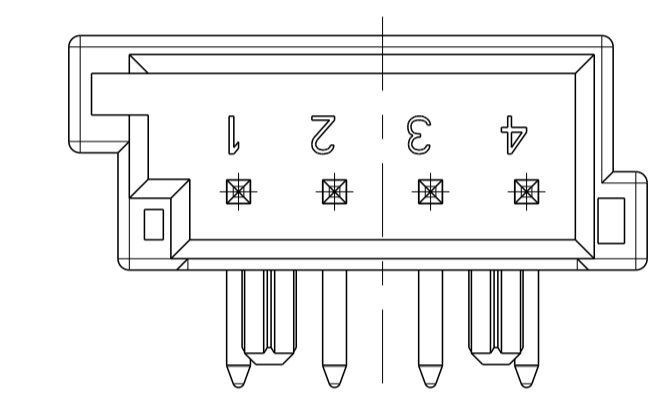
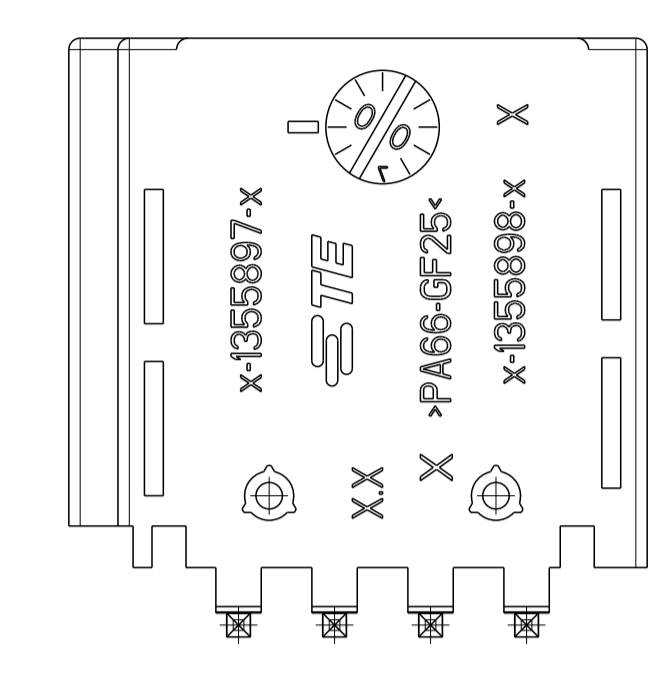


Part number 1-1355897-1 as shown



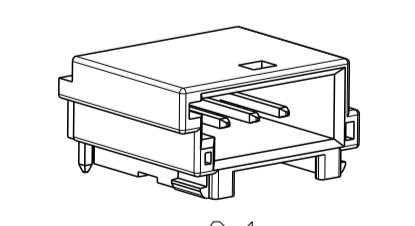
PROJECT NO. EGAUT00054		REVISIONS			
P	LTN	DESCRIPTION	DATE	OWN	APVD
A1		added PCB-Layout	11OCT2017	FH	BF
A2		Updated pin position tolerance on interface side	04OCT2021	KG	MM

Part number 1-1355897-2 as shown
missing dimension see part number 1-1355897-1



NOTES
Bemerkungen

- ALL RADII R0.3 EXCEPT AS NOTED
Nicht bemessene Radien R0.3
- AMP-PART NO.:
AMP-Teile Nr.:
- AMP-ASS'Y-NO.:
AMP-Assy Nr.:
- PRODUCTION-DATE WITH DATE INSERT, Ø3
Produktionsdatum mit Datumstempel, Ø3
- AREA FOR CAVITY MARKING
Platz fuer Nestmarkierung
- REVISION ACCORDING TO PLASTIC PART-REV.
Aenderungsindex gemass Kunststoffteil-Rev.
- CAVITY IDENTIFICATION
Kammerbezeichnung
- PIN RETENTION FORCE MIN. 25N AGAINST STITCHING DIRECTION
Stiftausdruckkraft min. 25N entgegen der Bestueckungsrichtung
- WALL THICKNESS EXCEPT AS NOTED 1mm
unbemessene Wandstaerken 1mm
- MATERIAL IDENTIFICATION
Materialkennzeichnung
- CONVERSION KIT FOR CODING D IS POSSIBLE
Umbausatz fuer Kodierung D im Werkzeug vorgesehen
- 1-4 µm Sn OVER/ueber 1.3-2.5 Ni
- PARTING LINE BURR MAX 0.2mm
Formtrenngraet max. 0.2mm
- SOLDERABILITY ACCORDING DIN IEC 68 PART 2-20
Loetbarkeit gemessung DIN IEC 68 PART 2-20
- PACKAGING: BULK PARTS IN CARDBOARD
Verpackung: Schuetttgut in Karton



CODING A AS SHOWN
Kodierung A wie gezeigt

1-1355897-2		1-1355897-1		Bestell Nr. PART NO		REV		PCS		DESCRIPTION		SURFACE		MATERIAL		CODING		ITEM NO	
A	4	A	4																
	1		1																

THIS DRAWING IS A CONTROLLED DOCUMENT.		OWN: G.Panitz 09MAR2000	CHK: H.Schmidt 06APR2000	TE Connectivity	
DIMENSIONS: mm		TOLERANCES UNLESS OTHERWISE SPECIFIED: DIN16901-140		NAME: MGS PIN HEADER, 4POS. MGS Stiftwanne, 4pol.	
MATERIAL: SEE TABLE siehe Tabelle		FINISH: #2*		SIZE: A 00779 C=1355897	
CUSTOMER DRAWING		SCALE: 5:1		SHEET 1 OF 1 REV: A2	