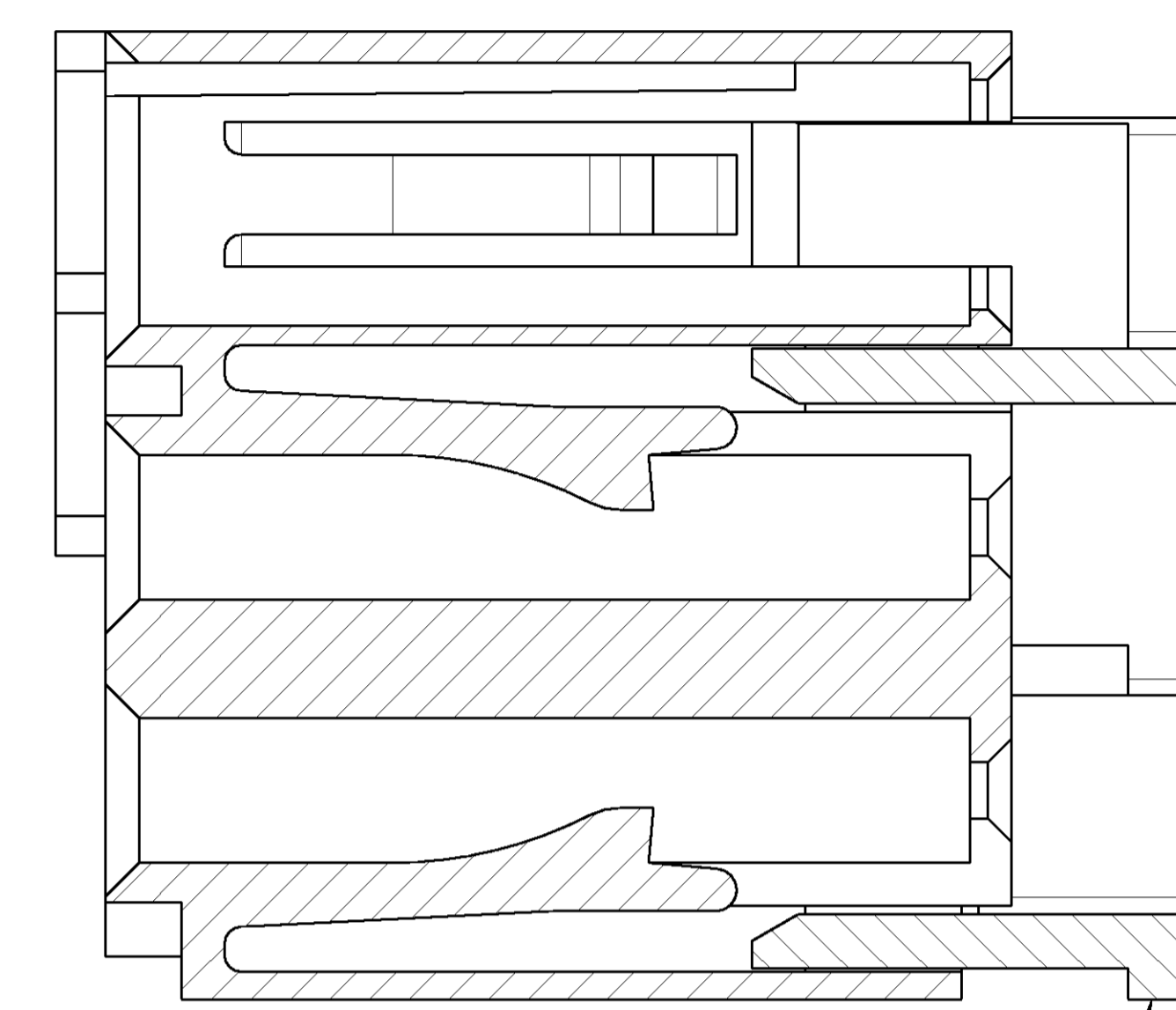
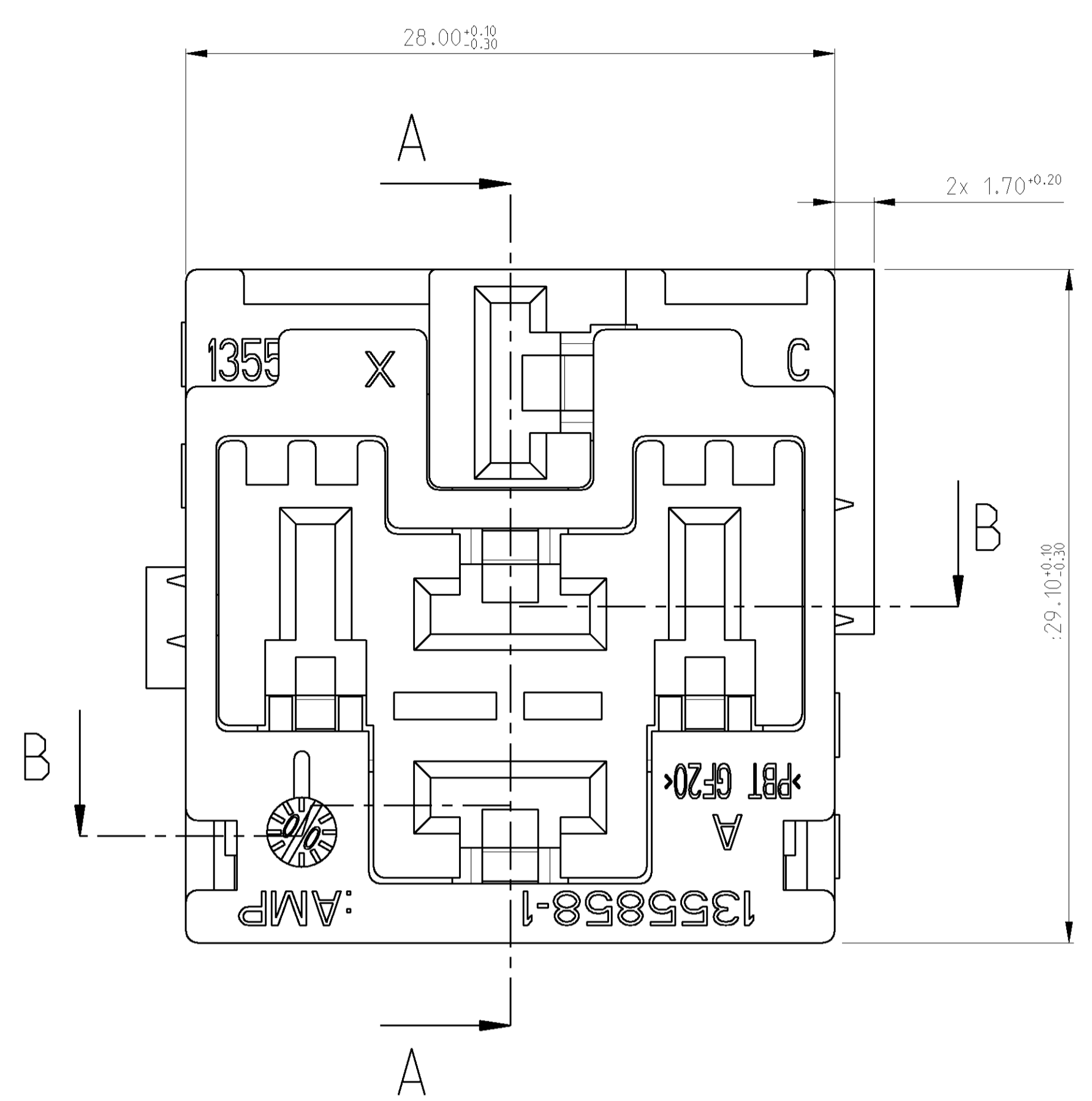
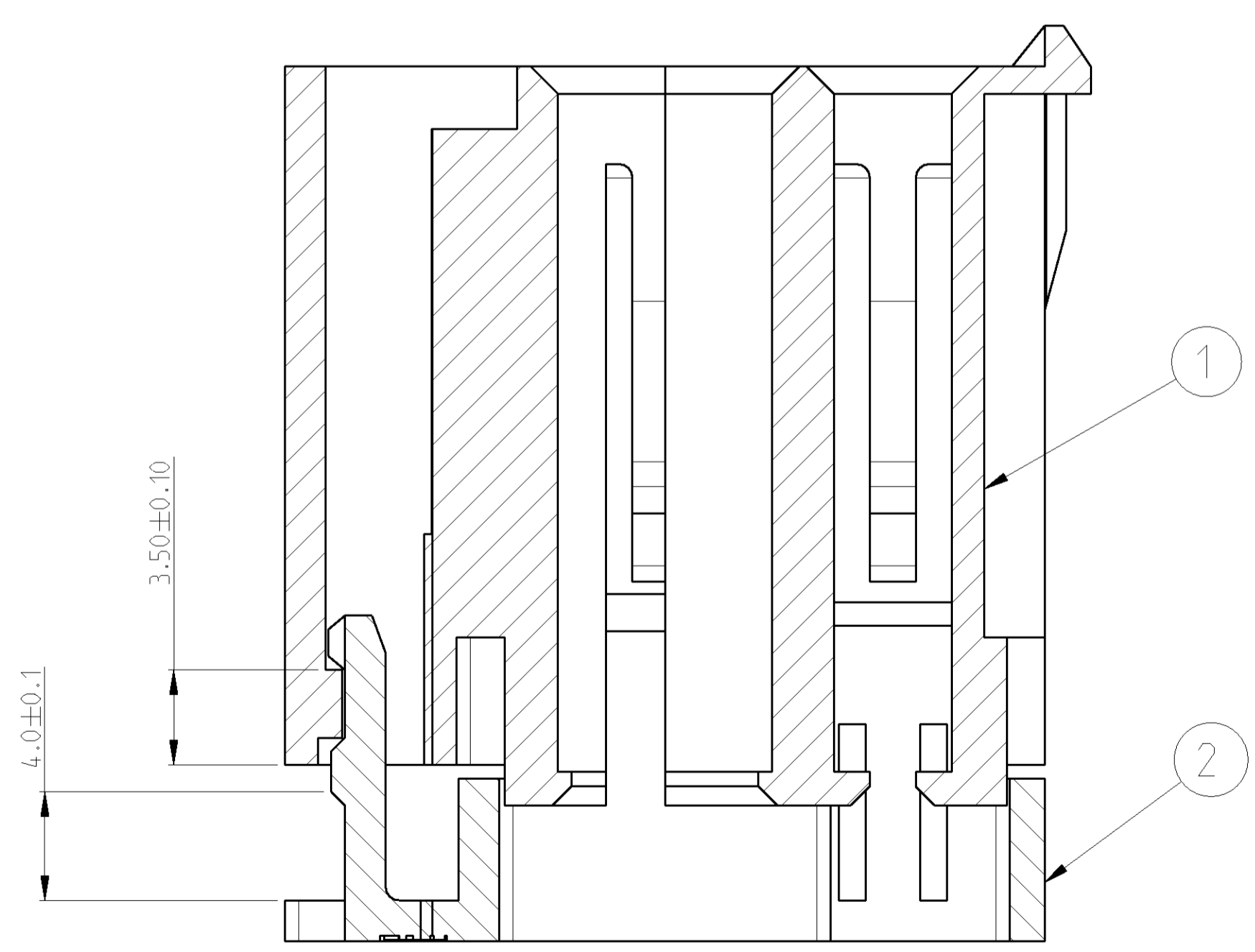


LOC		DIST		REVISIONS			
P	LTR	DESCRIPTION	DATE	DWN	APVB		
A		NEW DRAWING (PER EC EG00-2721-00)	14NOV2000	-	-		
B		DRAWING UPDATED (SEE EG00-920-01)	23MAR2001	MT	GM		
C		DRAWING UPDATED (SEE EG00-1478-01)	16MAY2001	GM	GH		

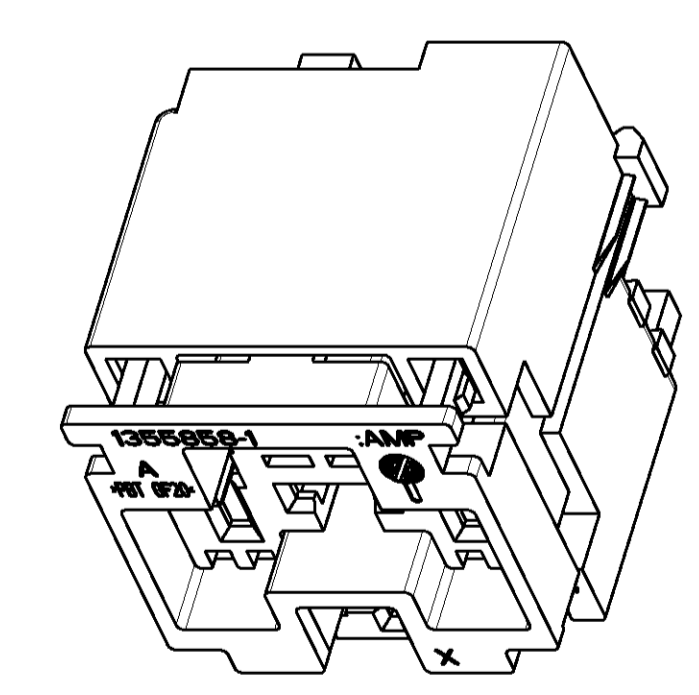
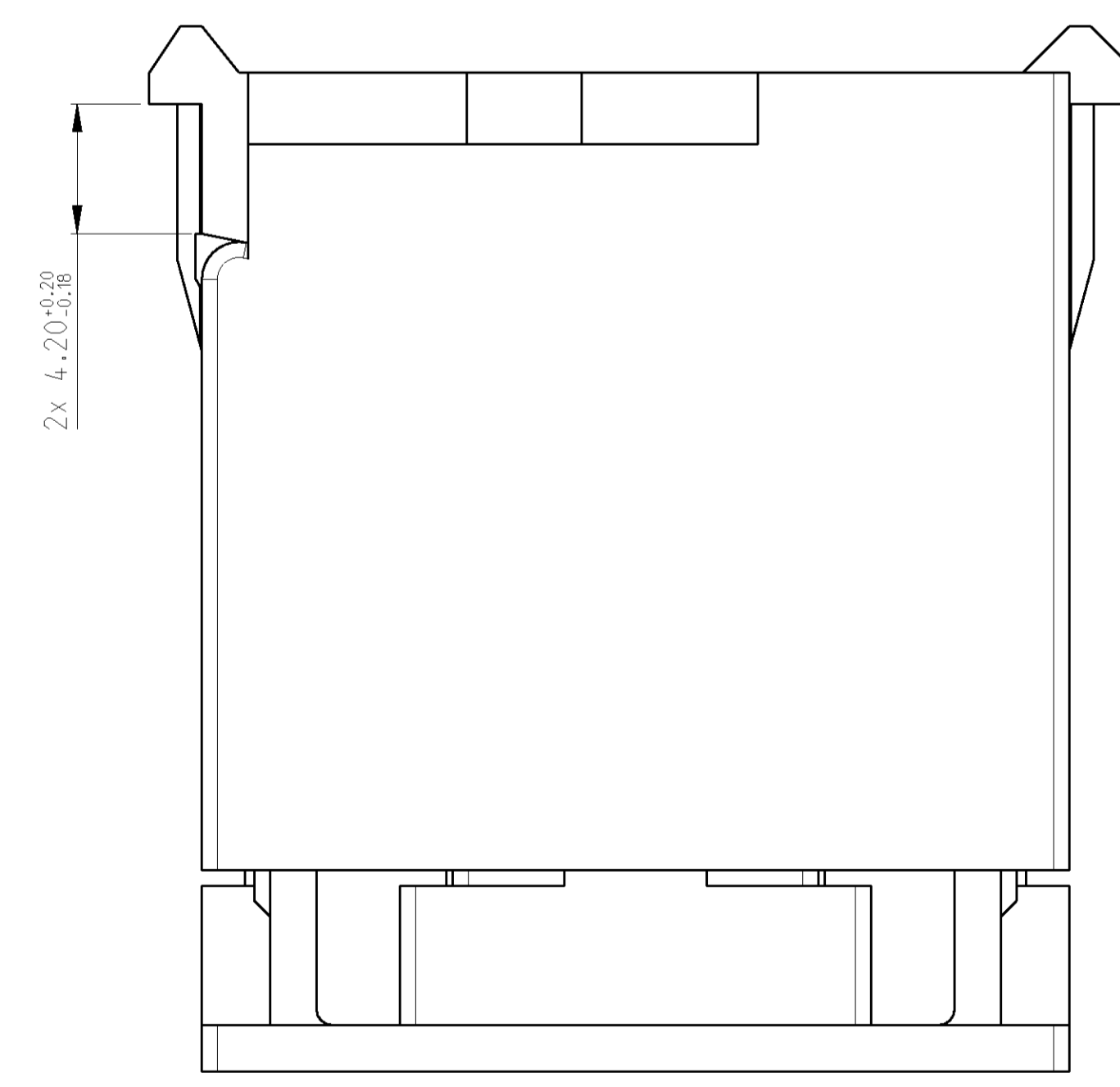


SCHNITT A-A

SPACER IN VORRSTELLUNG
 SPACER IN PRESET POSITION



SCHNITT B-B



MASSTAB 2:1

-2S6T-14A481-BA	1355864-1	-	1x	-	PBT - GF20	RED	SPACER	2
			-	1x	PBT - GF20	BLACK	INSERT MODULE	1
CUSTOMER PART NO.	AMP PART NO.	SUITABLE FOR	PCS PER ASSY	MATERIAL	COLOR	DESCRIPTION	ITEM NO.	

DIMENSIONS: mm		TOLERANCES UNLESS OTHERWISE SPECIFIED: 0 PLC ±0.4 1 PLC ±0.4 2 PLC ±0.4 3 PLC ±0.4 4 PLC ±0.4 ANGLES ±0.4°		DWN M. DAUBER 14NOV00 ENW M. TRAJKOV 15NOV00 APVB E. MUMPER 15NOV00		AMP Tyco Electronics AMP GmbH D - 64625 Bensheim	
MATERIAL: - FINISH: -		PRODUCT SPEC: - APPLICATION SPEC: -		NAME: MINI RELAY INSERT (40A) ASSAY SIZE: A 00779 CAGE CODE: C=1355864		RESTRICTED TO: - SCALE: 5:1 SHEET 1 OF 1 REV C	
CUSTOMER DRAWING				WEIGHT: -			