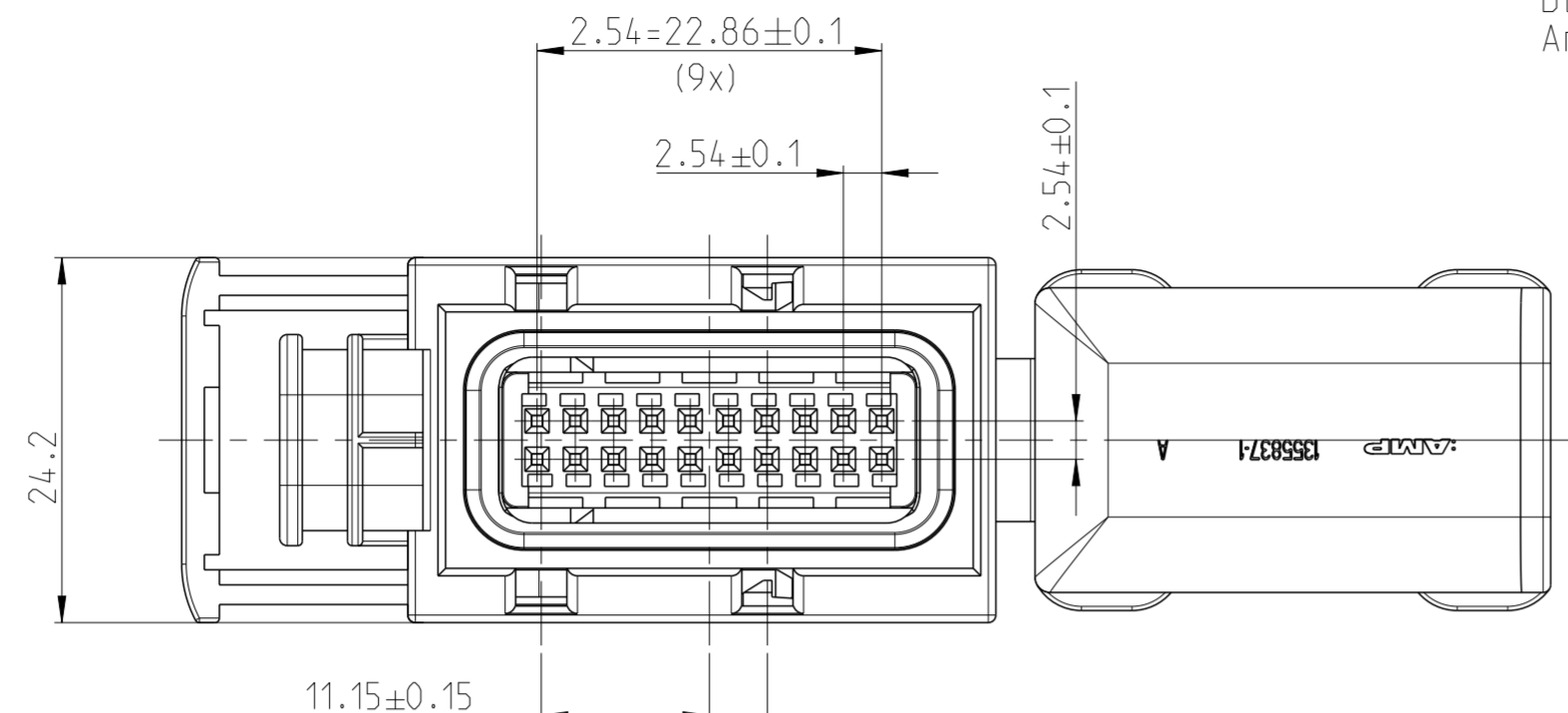


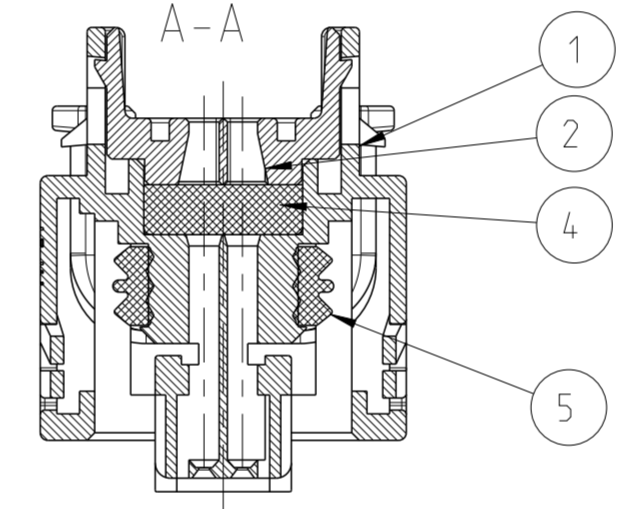
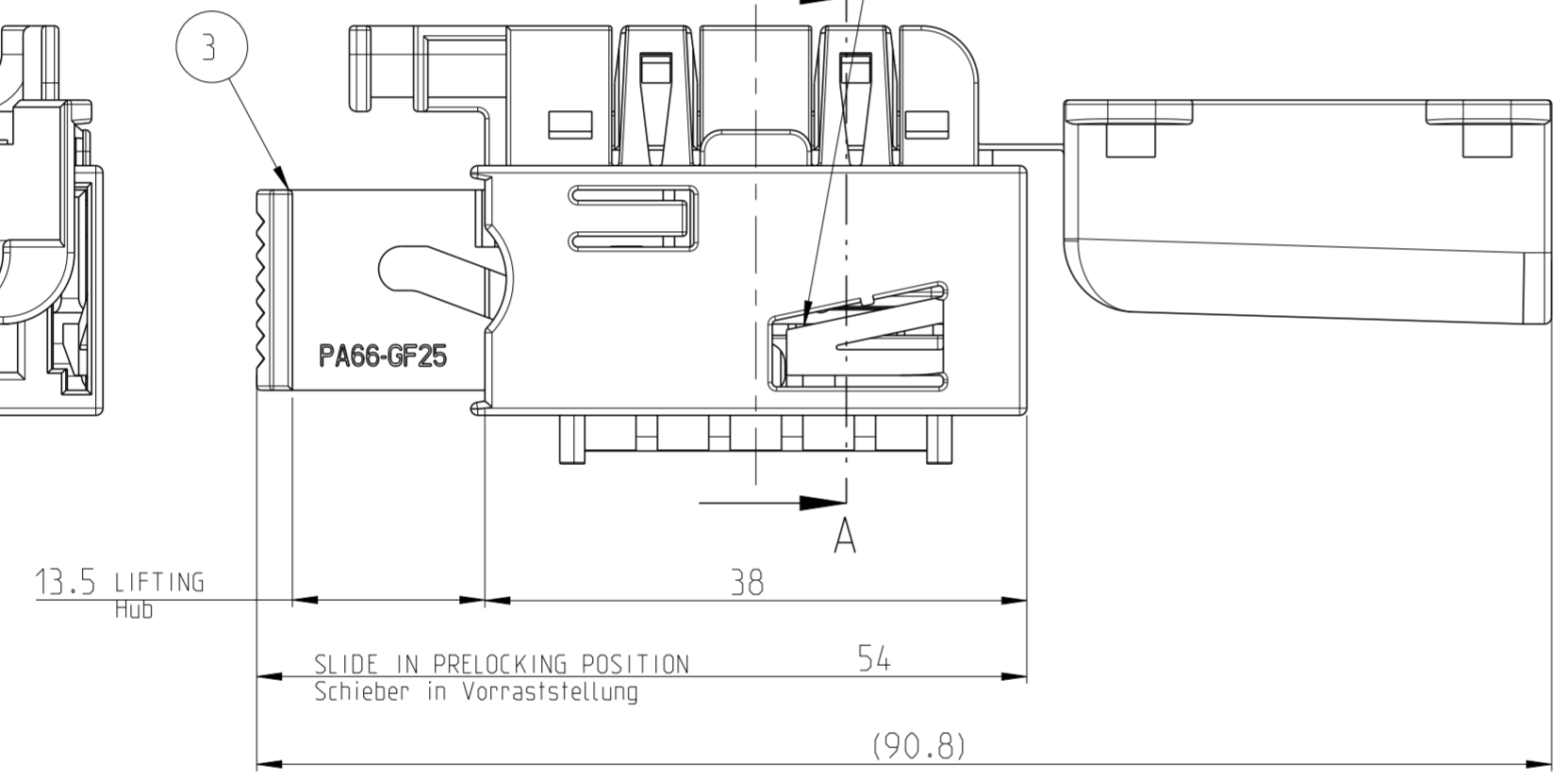
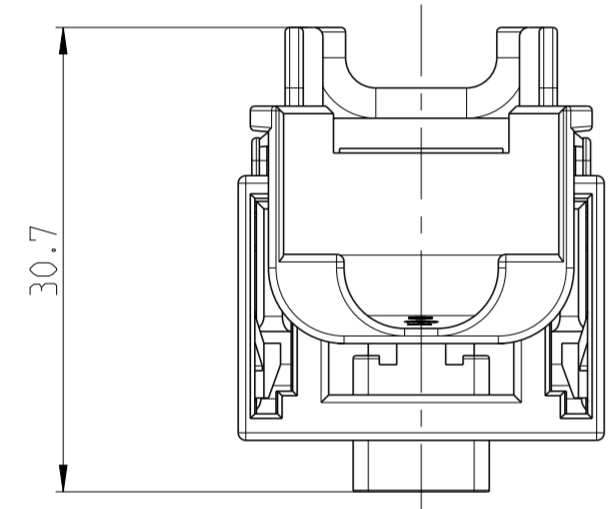
THIS DRAWING IS UNPUBLISHED
 RELEASED FOR PUBLICATION
 2000
 ALL RIGHTS RESERVED.

REVISIONS					
P	LTR	DESCRIPTION	DATE	DWN	APVD
A		INITIAL DRAWING	11MAY2016	SH	HR
B1		E-16-012235	25AUG2016	HS	RH

DELIVERY CONDITION
 Anlieferungszustand

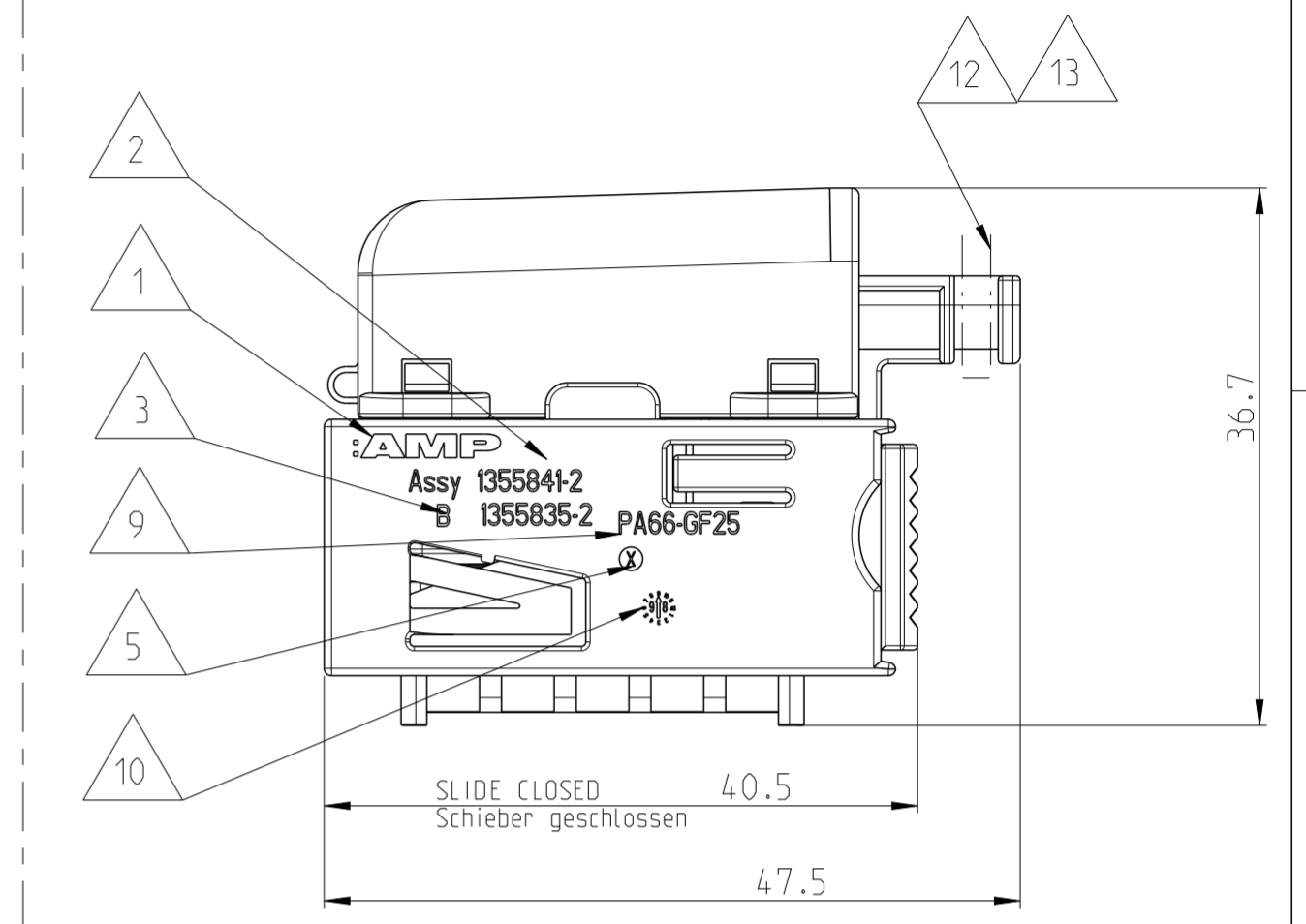


SLIDE LOCKING DEVICE ACTIVE IN PREPOSITION
 WILL BE DEACTIVATED WHILE CONNECTING
 WITH THE INTERFACE
 Schieberblockierung in Vorraststellung aktiv.
 Wird nur in Verbindung mit Schnittstelle deaktiviert.



NOTES

- Bemerkungen
- 1 AMP-LOGO
AMP-Logo
 - 2 ORDER-NUMBER
Bestell-Nummer
 - 3 REVISIONS-NUMBER
Werkzeugaenderungsindex
 -
 - 5 CAVITY MARKING
Nestmarkierung
 -
 - 7 CAVITY IDENTIFICATION
Kammernummerierung
 - 8 PACKAGING IN CARTON
Verpackung in Karton
 - 9 MATERIAL MARKING
Werkstoffkennzeichnung
 - 10 PRODUCTION-DATE
Produktions-Datum
 - 11 HOUSING MUST BE USED WITH
SECONDARY LOCKING DEVICE TE-NO.1355839-2
Gehaese muss mit 2. Kontaktsicherung
TE-Nr. 1355839-2 verwendet werden
 - 12 USE CABLE TIE TE-NO 1241770
OR DIMENSIONWISE COMPARABLE ONLY
Nur zuverwenden mit Kabelbinder TE-Nr. 1241770
oder masslich vergleichbar
 - 13 DOES'T BELONG TO THE DELIVERY RANGE OF TE-NO.1355841-2
Gehoert nicht zum Lieferumfang der TE-Nr. 1355841-2
 - 14 INTERFACE DRAWING 208-18004



ASSEMBLY CONDITION
 Montagezustand

0-928999-1	0-963726-1	0-2-0-5	CuNiSi	PRE TIN PLATED	0-878439-2	0-734237-1
TE ORDER NO. STRIP FORM	TE ORDER NO. LOOSE PIECE	WIRE RANGE MM	MATERIAL	FINISH	APPLICATOR	CRIMP TOOL HAND TOOL
MICRO QUADLOK Buchsenkontakt						

TE PART NO	REV.	PCS.	MATERIAL	SURFACE COLOUR	DESCRIPTION	ITEM NO
1355841-2	A	1	SILICONE	ORANGE	SEALING	5
		1	GEL	BLUE	GEL FLAT-SEALING	4
		1	PA66-GF25	RED	SLIDE	3
		1	PA66	BLACK	CENTER PLATE WITH COVER	2
		1	PA66-GF25	BLACK	MQS SOCKET HSG., 20POS.	1

THIS DRAWING IS A CONTROLLED DOCUMENT.		DWN T.Parusuram 07DEC2015
DIMENSIONS: mm		CHK R.Hecker 07DEC2015
TOLERANCES UNLESS OTHERWISE SPECIFIED:		APVD
0 PLC	±0.5	PRODUCT SPEC
1 PLC	±0.5	108-18691-2
2 PLC	±0.5	APPLICATION SPEC
3 PLC	±0.5	114-18337-2
4 PLC	±0.5	WEIGHT
ANGLES	±5°	19.1g
FINISH	-	CUSTOMER DRAWING

TE Connectivity		NAME	
		MQS- SOCKET HSG., 20POS., ASS'Y MQS- Buchsengeh., 20pol., ZSB	
SIZE	CAGE CODE	DRAWING NO	RESTRICTED TO
A2	100779	C-1355841	-
SCALE		SHEET	REV
2:1		1 OF 1	B1