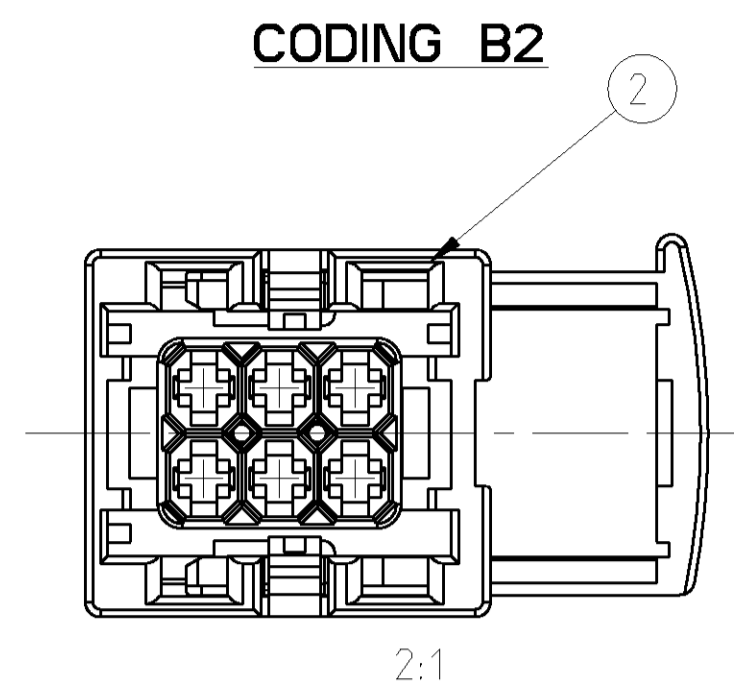
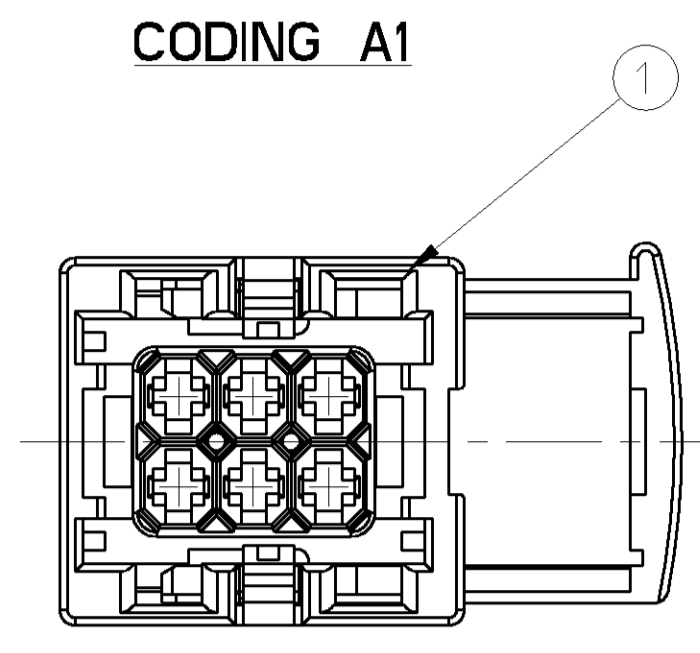
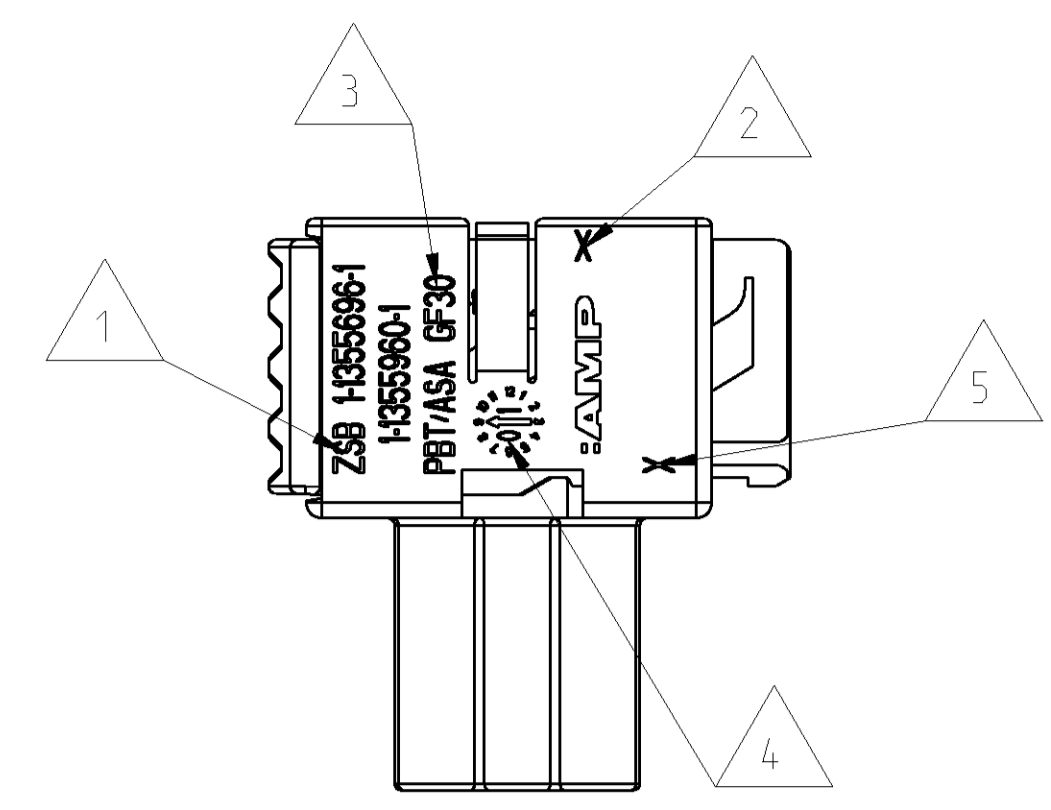
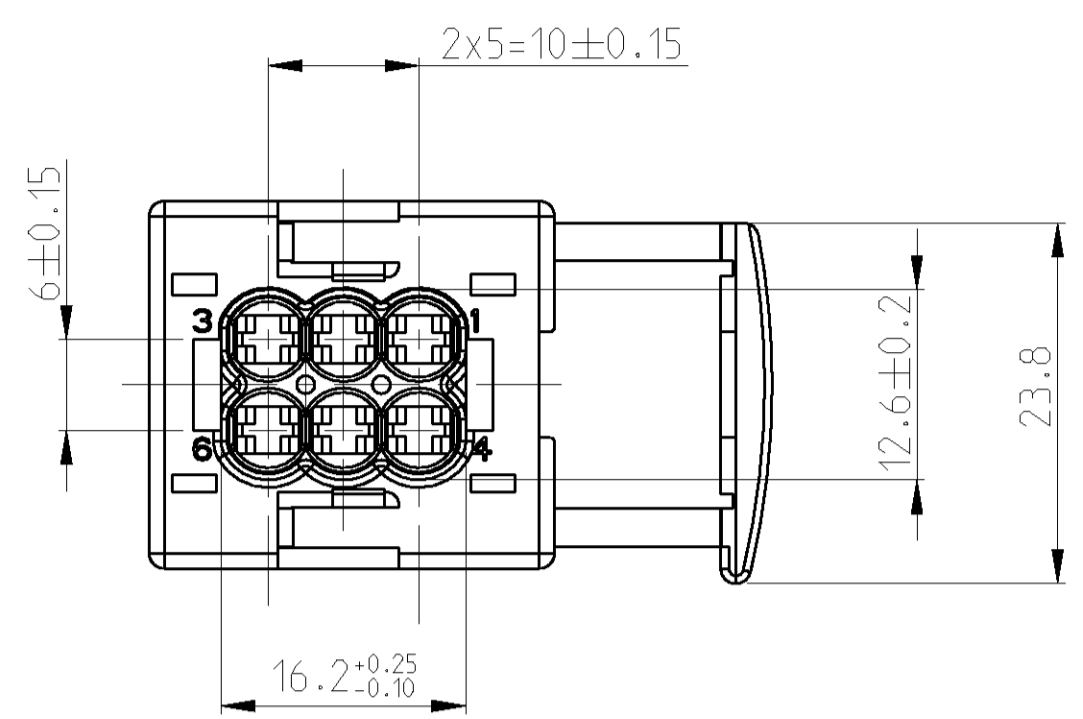
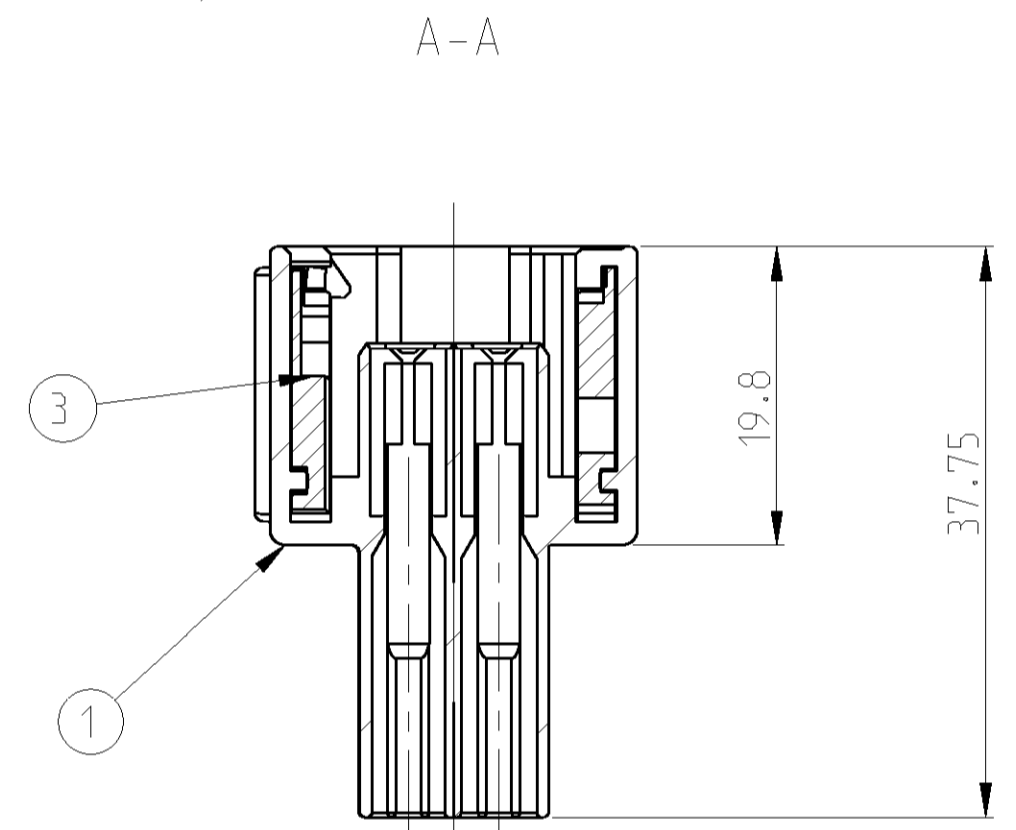
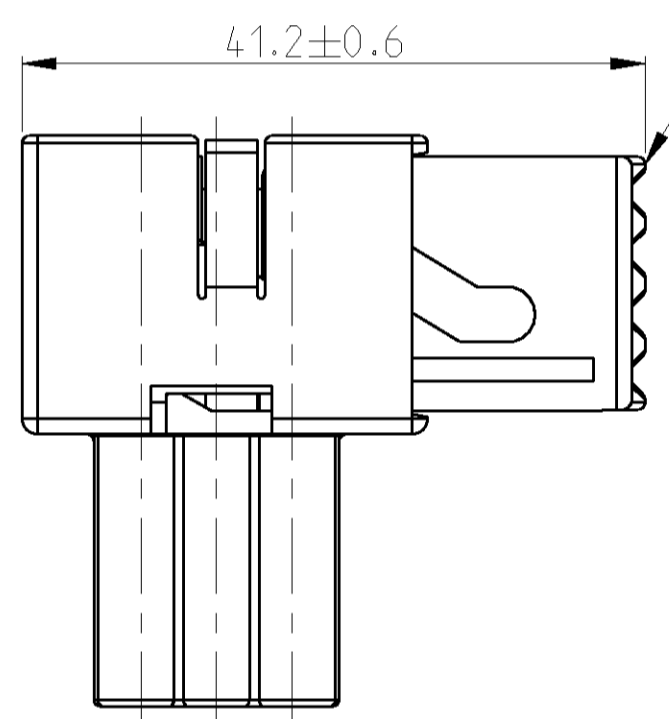


LOC	DIST	F	LTR	DESCRIPTION	DATE	DWN	APPR
A1	-	A		NEW DRAWING	09JAN2007	LG	MR

1-1355696-1 wie gezeichnet
as shown



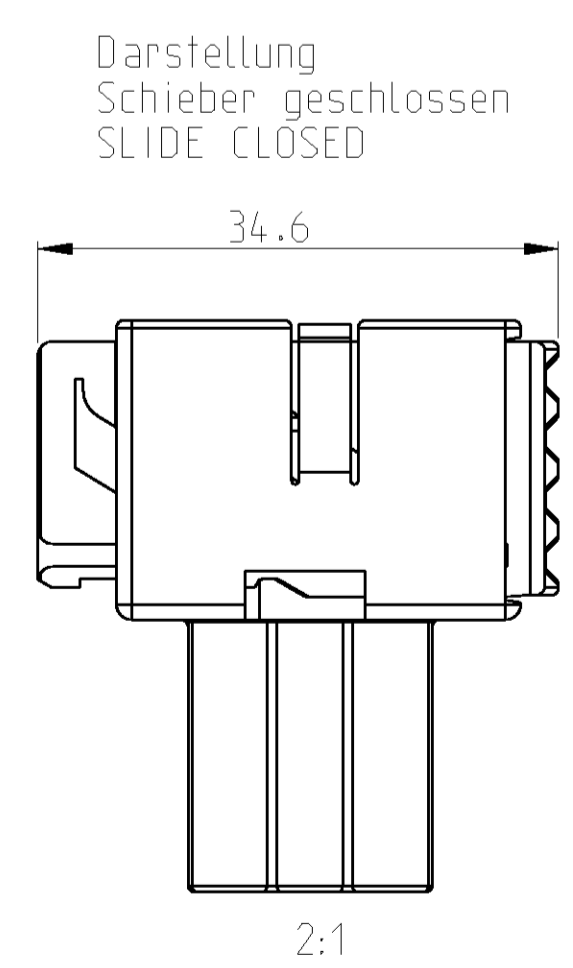
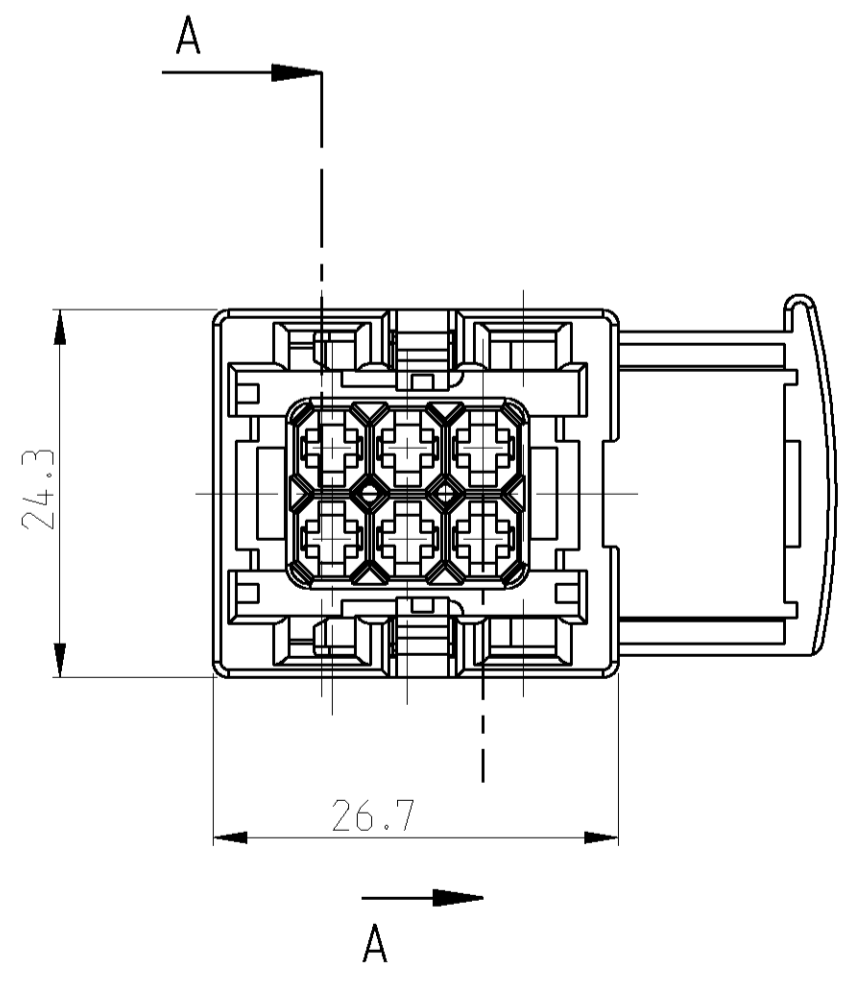
Schieber in Vorraststellung montiert
SLIDE IN PRE LOCKING POSITION ASSEMBLED
(Anlieferungszustand)
(DELIVERY POSITION)



NOTES
BEMERKUNGEN

- 1 ORDER NUMBER
BESTELL-NUMMER
- 2 REVISION NUMBER OF SINGLE PART
WERKZEUGÄNDERUNGSINDEX DES EINZELTEILES
- 3 MATERIAL MARKING OF SINGLE PART
WERKSTOFFKENNZEICHNUNG DES EINZELTEILES
- 4 PRODUCTION DATE OF SINGLE PART
PRODUKTIONSdatum DES EINZELTEILES
- 5 CAVITY MARKING OF SINGLE PART 1-8 FOR OLD TOOL
/ 9-12 FOR NEW TOOL
NESTMARKIERUNG DES EINZELTEILES 1-8 FUER ALTES WKZG.
9-12 FUER NEU-WERKZEUG

SPEC. FOR COUNTERPART 114-18135-306	Spez. fuer Gerateanschluss 114-18135-306
--	---



CONTACT-SYSTEM	ORDER-NO. STRIP	WIRE SIZE [mm ²]	MATERIAL	FINISH	SINGLE WIRE SEAL	COLOR
JPT	0-0929937-1	1.5 - 2.5	CuFe 2	TINNED	0-0828905-1	WHITE
JPT	0-0929939-1	0.75 - 1.0	CuFe 2	TINNED	0-0828904-1	LIGHT BLUE
JPT	0-0929939-1	0.5	CuFe 2	TINNED	0-0963294-1	BLUE
JPT	0-0929941-1	0.35	CuFe 2	TINNED	0-0963294-1	BLUE

2-1355696-1	C	1	PBT-ASA GF30	rot	Schieber	3
		1	PBT-ASA GF30	grau	JPT-Gehaeuse 6pol.	2
1-1355696-1	C	1	PBT-ASA GF30	rot	Schieber	3
		1	PBT-ASA GF30	schwarz	JPT-Gehaeuse 6pol.	1
TYCO PART NO.	REV.	PCS.	MATERIAL	SURFACE COLOUR	DESCRIPTION	ITEM NO.

<small>THIS DRAWING IS UNPUBLISHED. RELEASED FOR PUBLICATION. ALL RIGHTS RESERVED. ALL INFORMATION IS SUBJECT TO CHANGE AND THE CUSTOMER HAS TO VERIFY THE INFORMATION BEFORE USING IT. VERIFICATION SHOULD BE CONTACTED FOR THE LATEST REVISION.</small>		DWN: L. Gerber 10JAN2007 CDR: M. Reinhardt 10JAN2007 APVD: -	AMP Tyco Electronics AMP GmbH D - 64625 Bensheim
DIMENSIONS: mm TOLERANCES UNLESS OTHERWISE SPECIFIED: 0 PLC ±0.3 1 PLC ±0.3 2 PLC ±0.3 3 PLC ±0.3 4 PLC ±0.3 ANGLES: -	PRODUCT SPEC: - APPLICATION SPEC: - FINISH: SEE TABLE	NAME: JPT HOUSING 6POS.: SEALED JPT Gehaeuse 6pol.: gedichtet	SIZE: A 00779 CAGE CODE: C=1355696 DRAWING NO: 1-1355696-1 RESTRICTED TO: -
MATERIAL: SEE TABLE	FINISH: SEE TABLE	WEIGHT: -	CUSTOMER DRAWING: - SCALE: 2:1 SHEET: 1 OF 1 REV: A