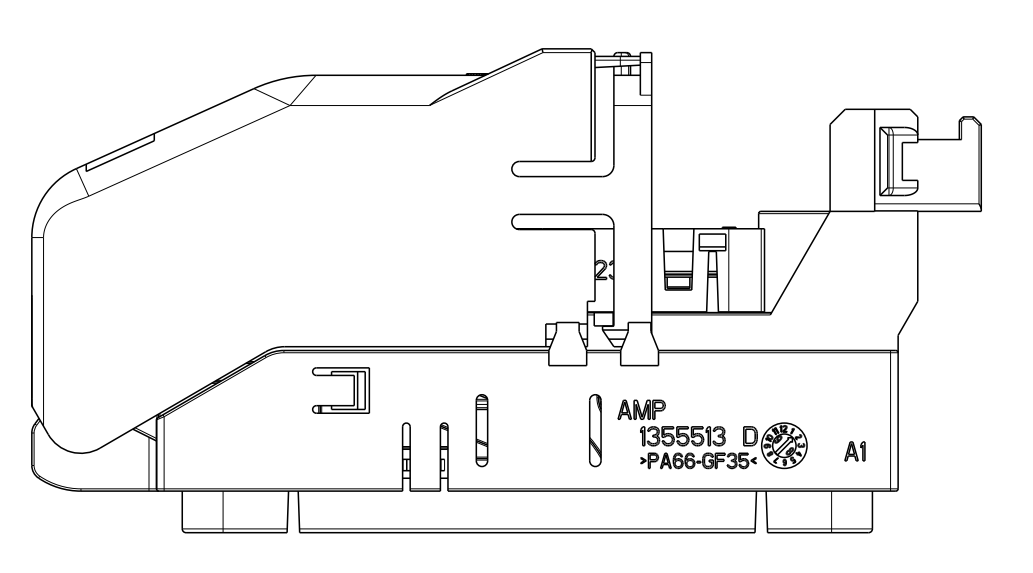
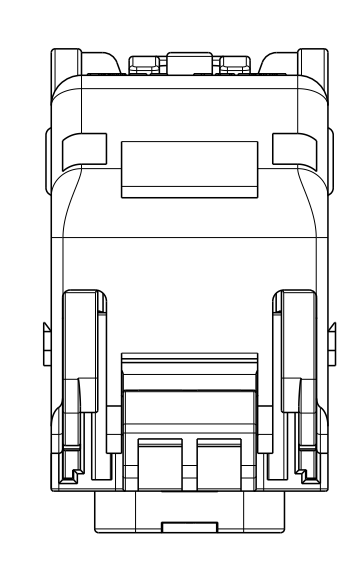
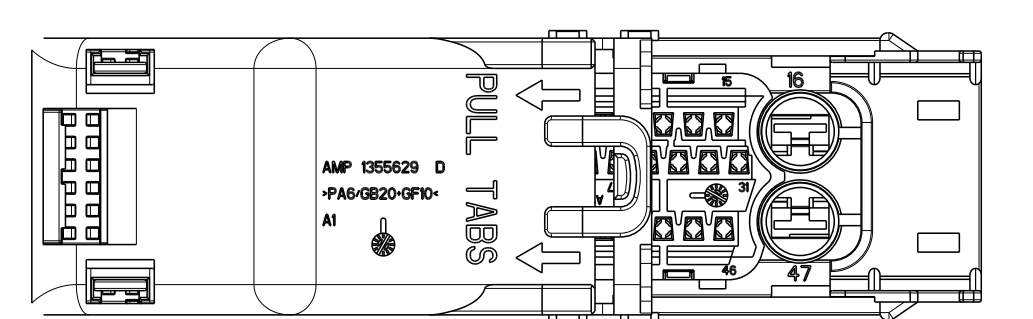
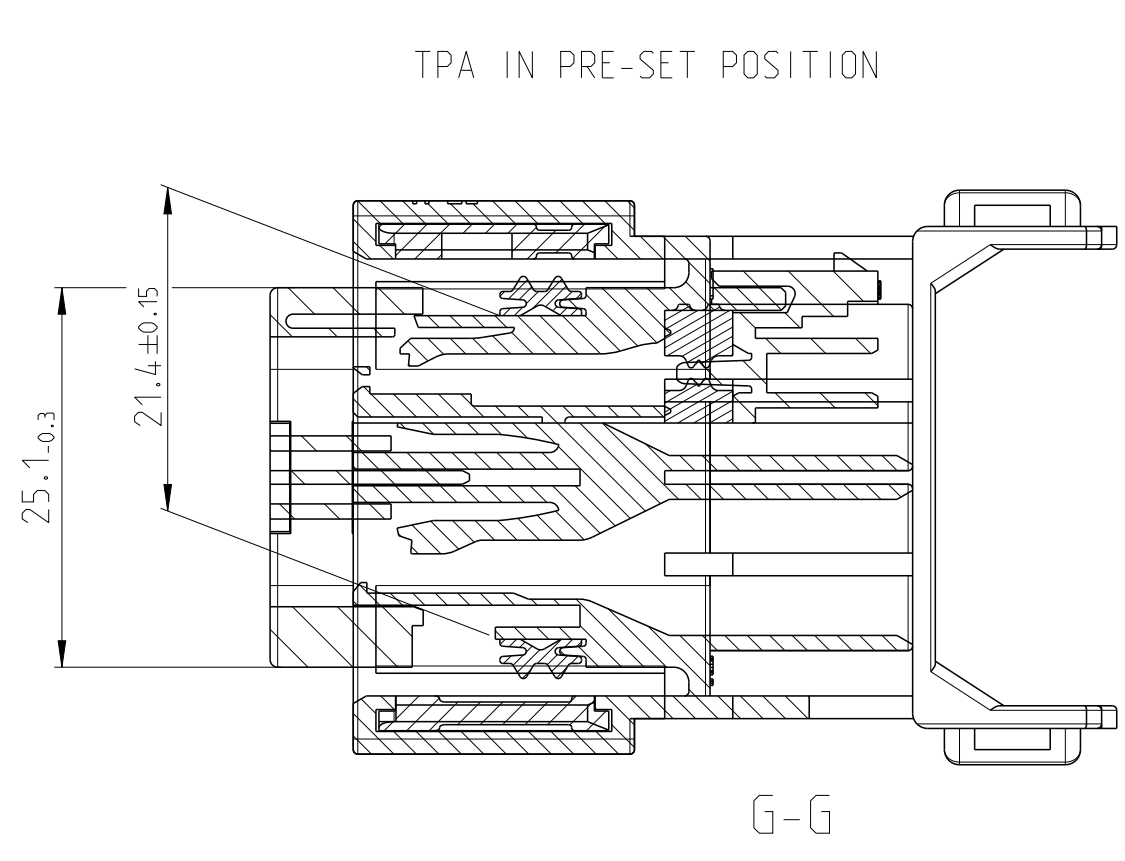
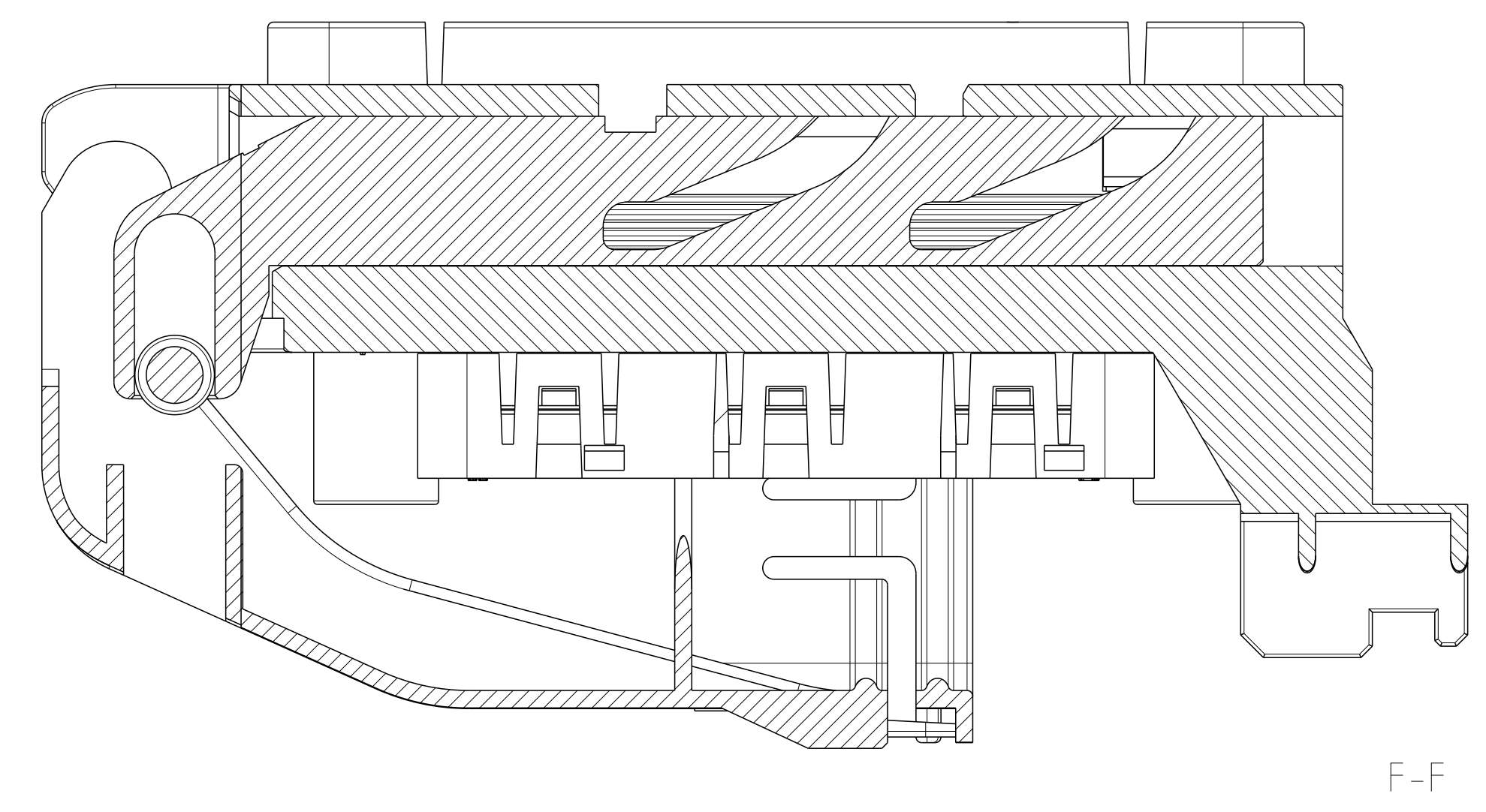
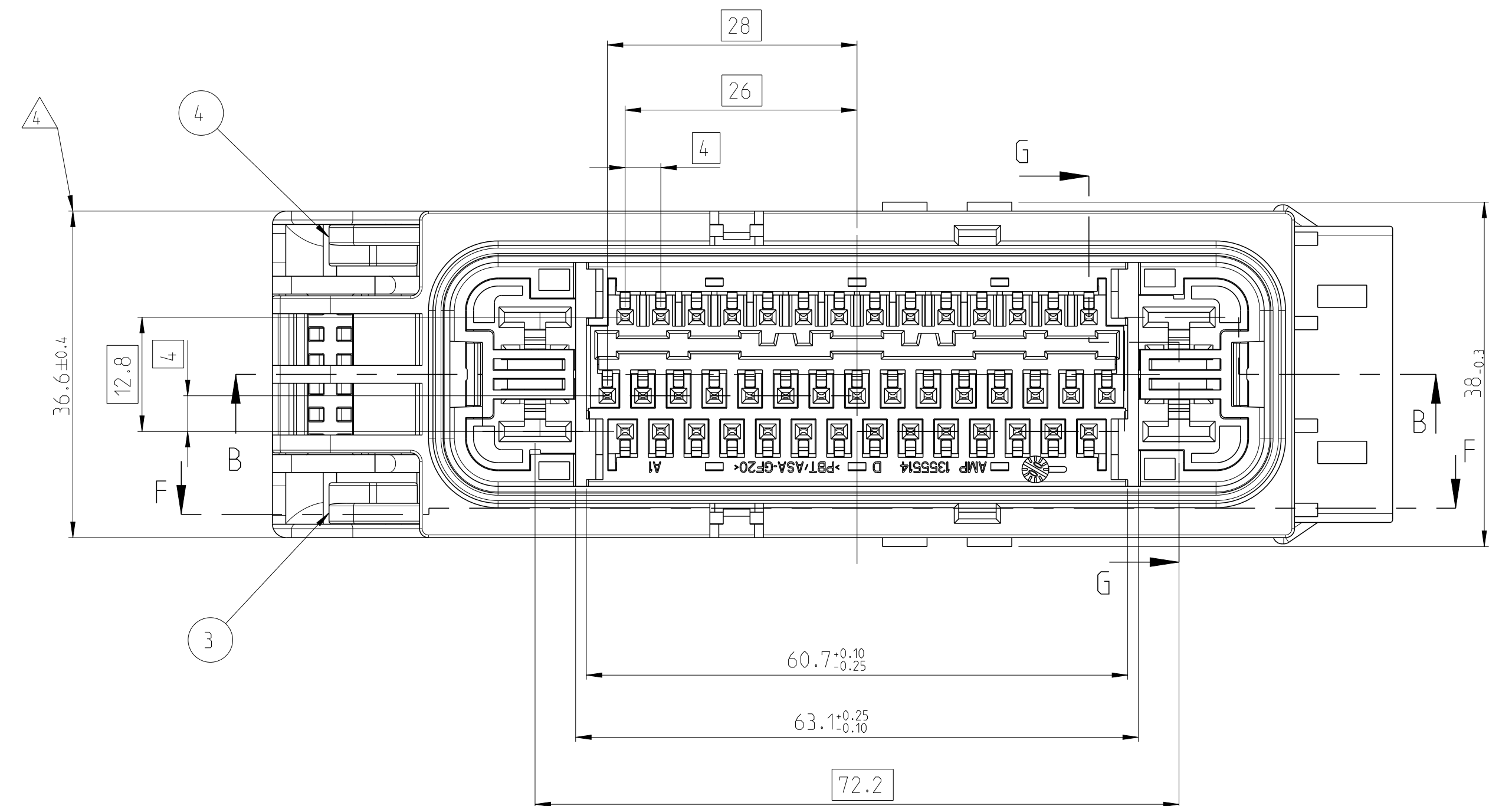
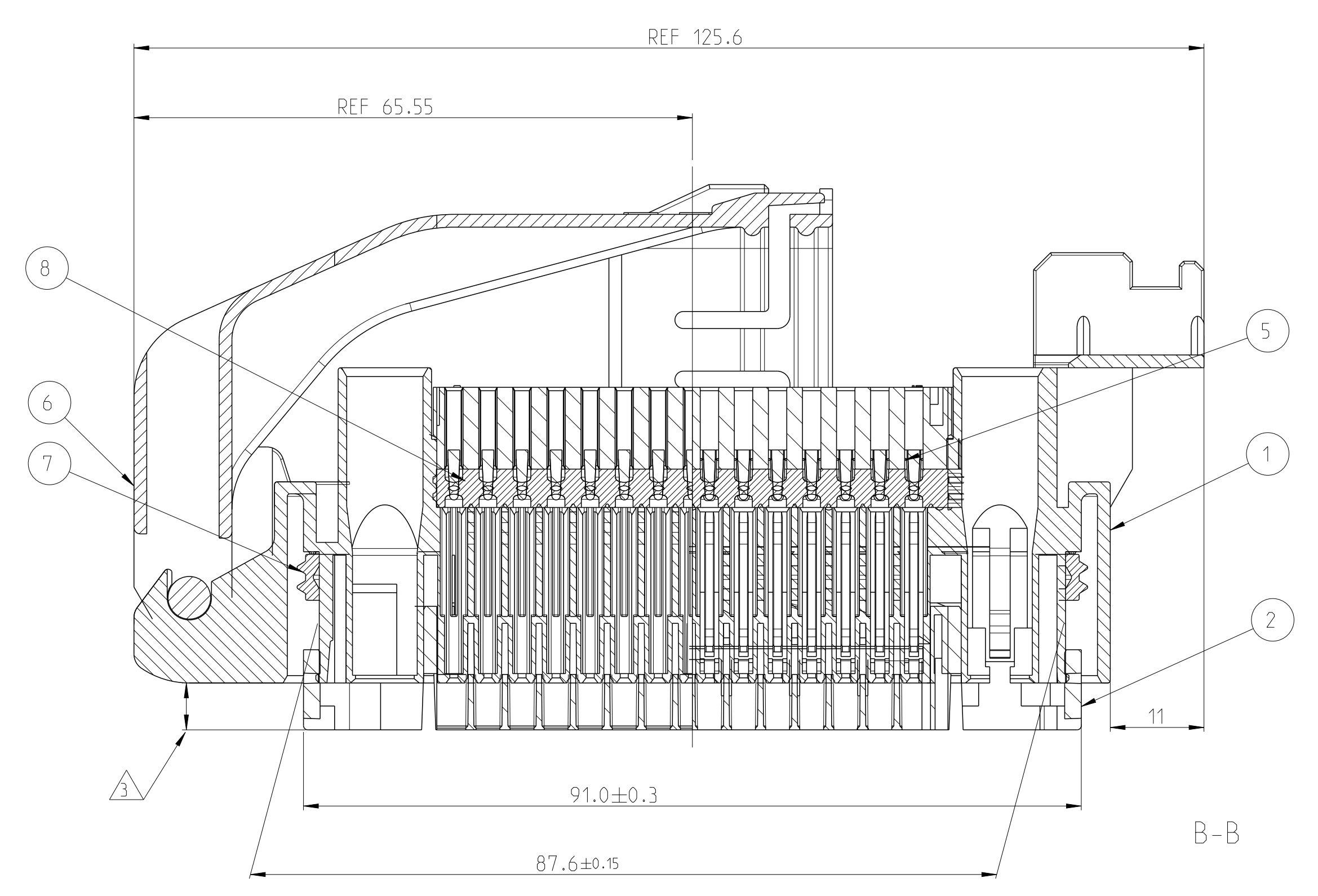
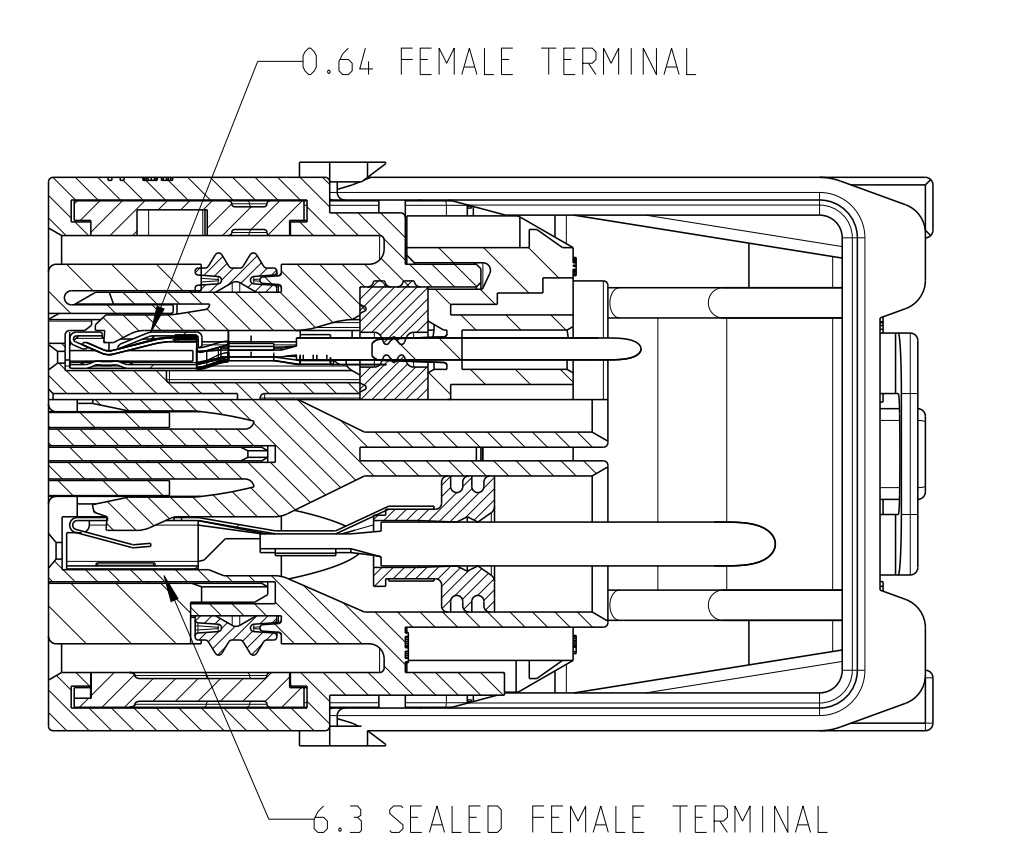


REV	DATE	DESCRIPTION	BY	CHK	APPD
M	09021202	PCN-E-12-017356	MT	HR	
M1	15040204	PCN-E-14-012222	JR	HR	
M2	27092016	PCN-E-16-004146	JR	HR	
M3	10.04.2020	E-20-009664	SRN	PT	

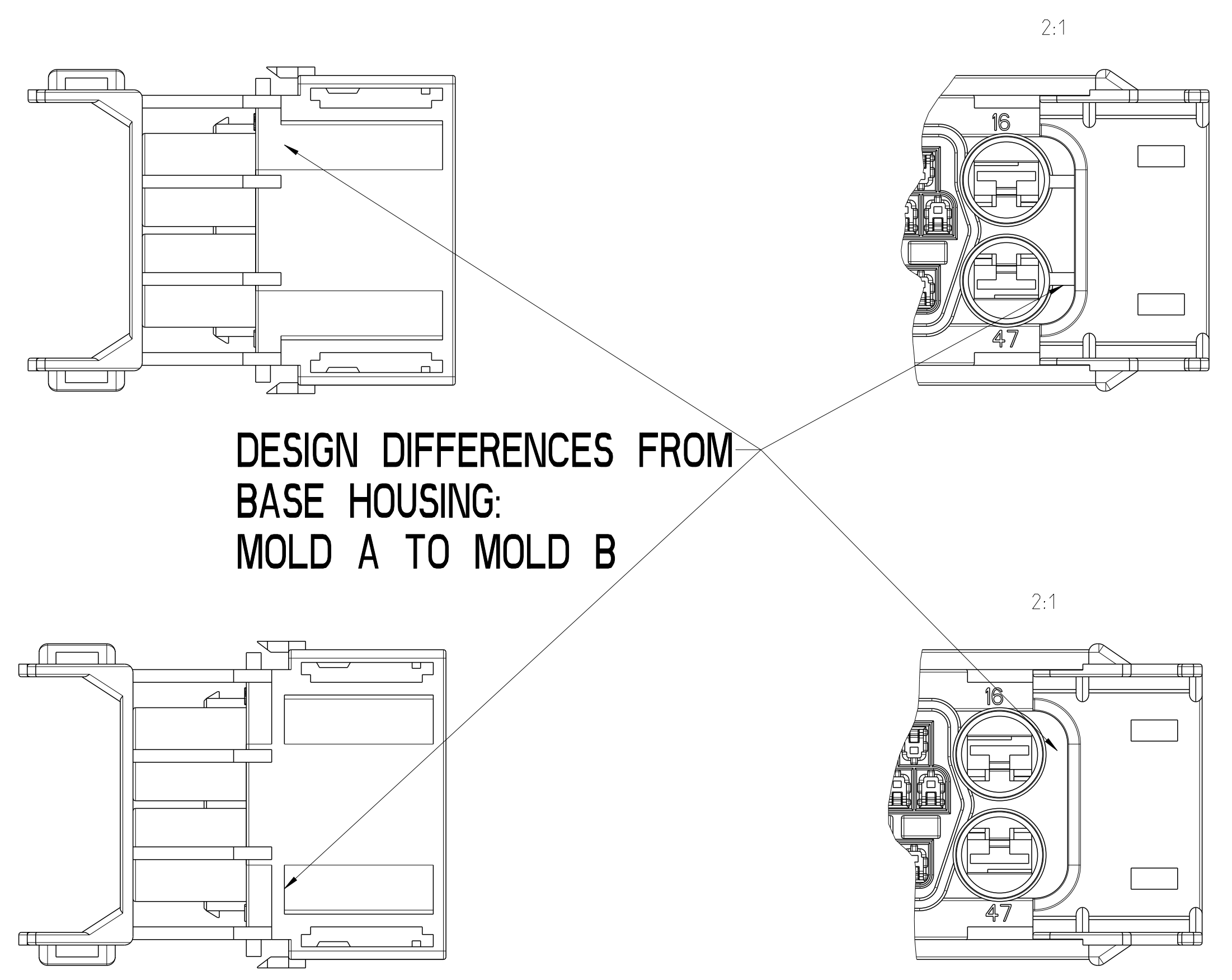


1:1

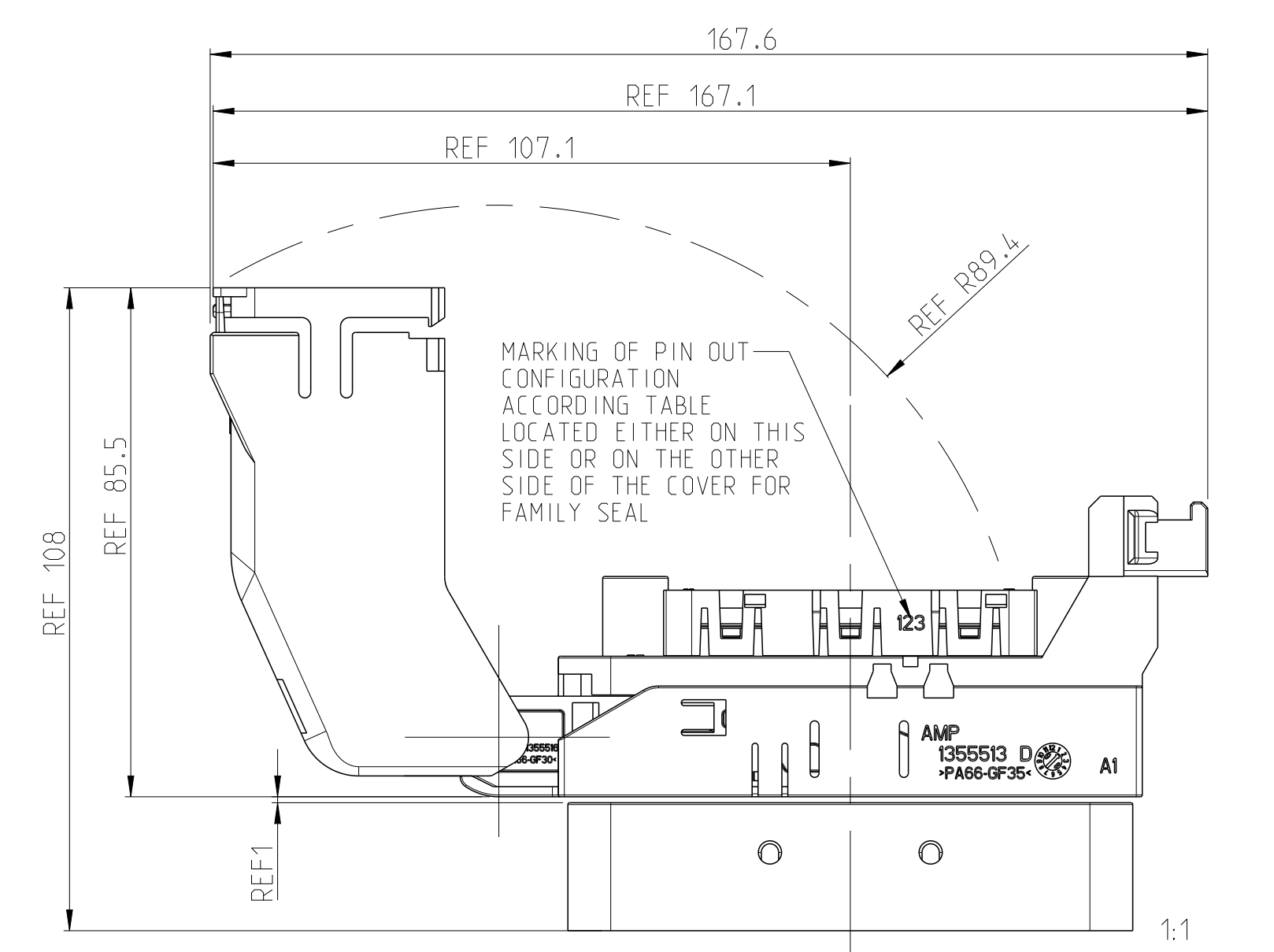
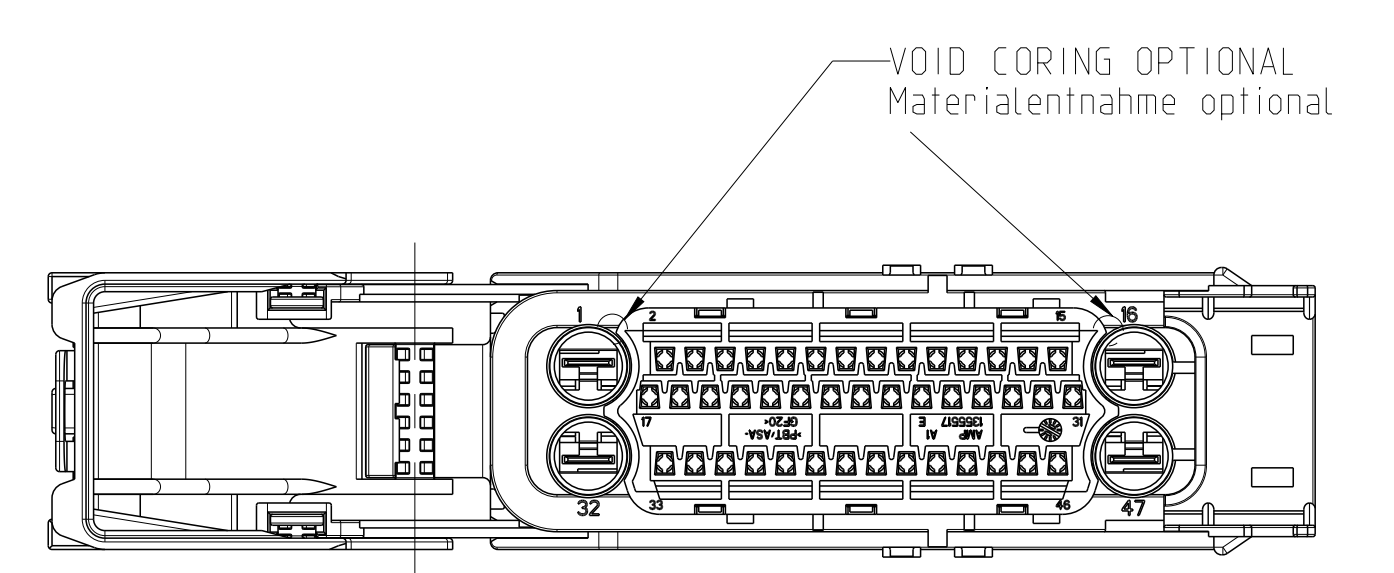
TPA IN SET POSITION
VIEW WITH TERMINALS



G-G

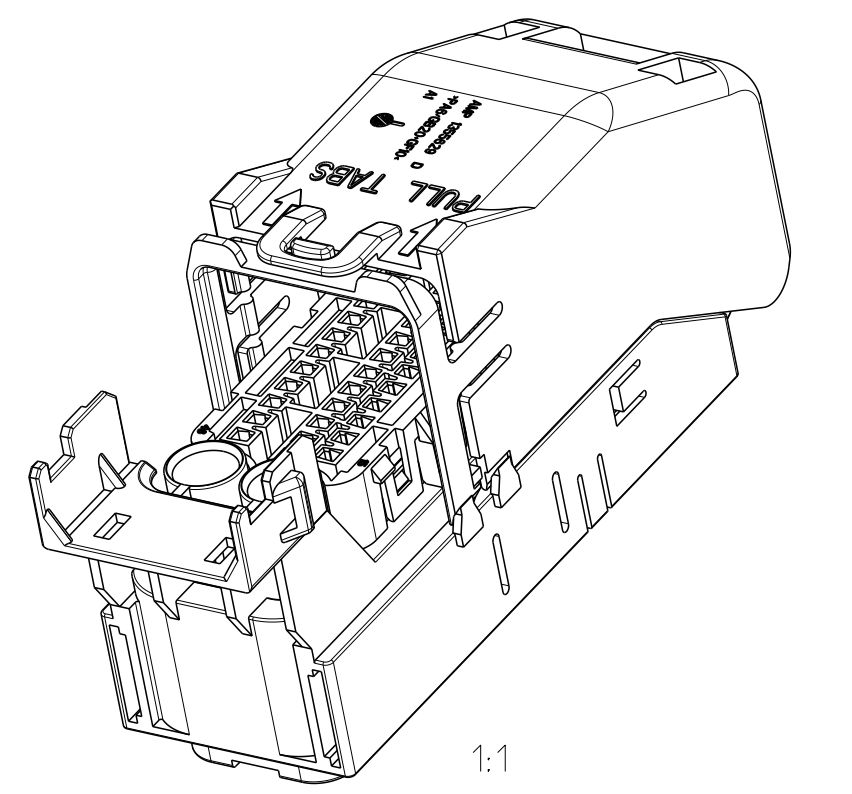


CONNECTOR WITH OPENED SHIELD



1:1

3D VIEW



- ⚠ Siehe Tabelle auf Seite 2
SEE TABLE ON SHEET 2
- ⚠ SEE PAGE 2
Siehe Blatt 2
- ⚠ SPACER IN PRESET POSITION
Spacer in Vorraststellung
- ⚠ WARPAGE ALLOWED DOWN TO 35.7mm
Einfalt bis 35.7 mm zulässig
- ⚠ Signal Kontakte sind ausgelegt fuer Kabelquerschnitte AWG 18-20, Leiterquerschnitt 0.5 - 0.75mm.
Für die Dichtigkeit der Steckverbinder ist notwendig, dass der Isolationsdurchmesser 1.4 - 1.5mm beträgt.
SIGNAL CONTACTS ARE SUITABLE FOR WIRE SIZE AWG 18-20, CONDUCTOR CROSS SECTION 0.5 - 0.75mm.
FOR THE SEALING OF THE CONNECTOR IS NECESSARY A CABLE ISOLATION DIAMETER OF 1.4 - 1.5mm.

QTY	DESCRIPTION	REF
1x	FAMILY SEALING	8
1x	PERIPHERAL SEAL	7
1x	WIRE DRESS COVER	6
1x	COVER FAM.-SEAL	5
1x	RIGHT SLIDE	4
1x	LEFT SLIDE	3
1x	SPACER	2
1x	HOUSING	1

THIS DRAWING IS A CONTROLLED DOCUMENT.		BY: S. LOCHNER 04JUL200	DATE: 04JUL200	REV: 0
DIMENSIONS: DIM: 0 PLC ISO-A, 1 PLC ISO-A, 2 PLC ISO-A, 3 PLC ISO-A, 4 PLC ISO-A		CHK: S. JAKLIN 04JUL200	DATE: 04JUL200	REV: 0
MATERIAL: FINISH: ANGLE: WEIGHT: CUSTOMER: Drawing		APPD: G. HUMBERG 04JUL200	DATE: 04JUL200	REV: 0
APPROVED: [Signature]		DATE: 04JUL200	REV: 0	
SCALE: 5:1		SHEET 1 of 2		

STE TE Connectivity
 SOCKET HOUSING 47WAY MK25/60
 ABS CONNECTOR WITH MATING AREA

SIZE: A0
 CASE CODE: 00779
 DRAWING NO: C=1355628
 RESTRICTED TO: []

