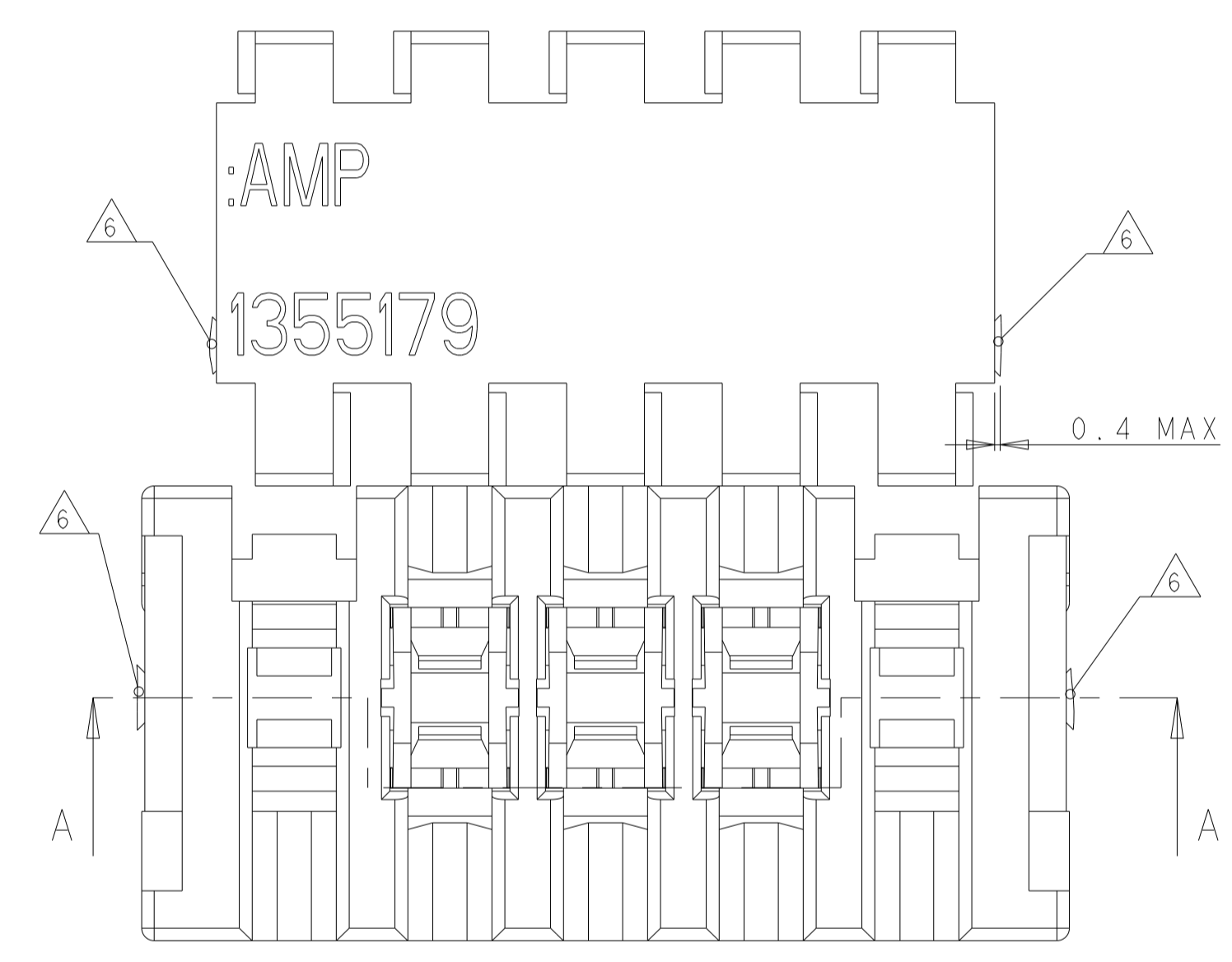
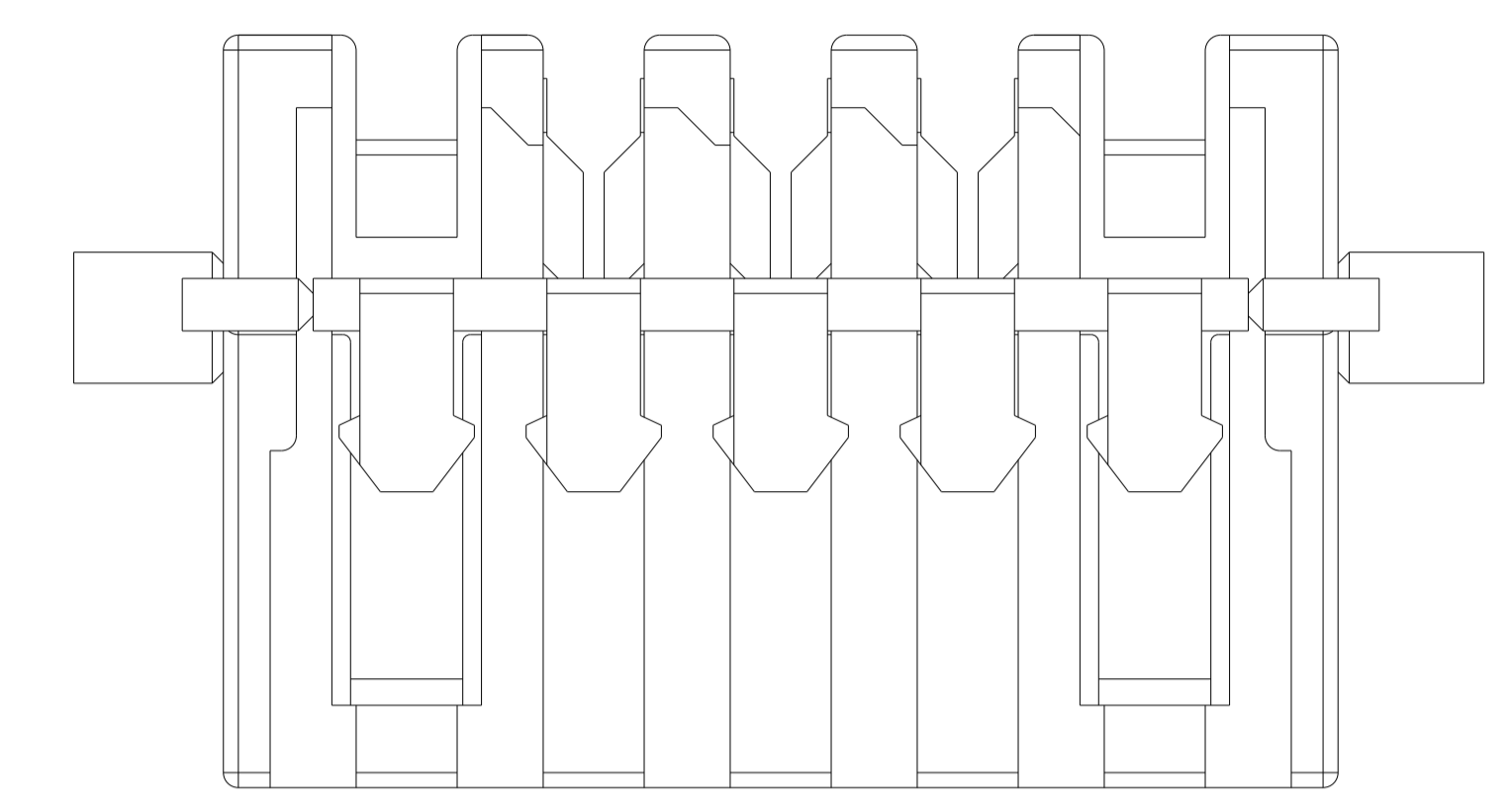
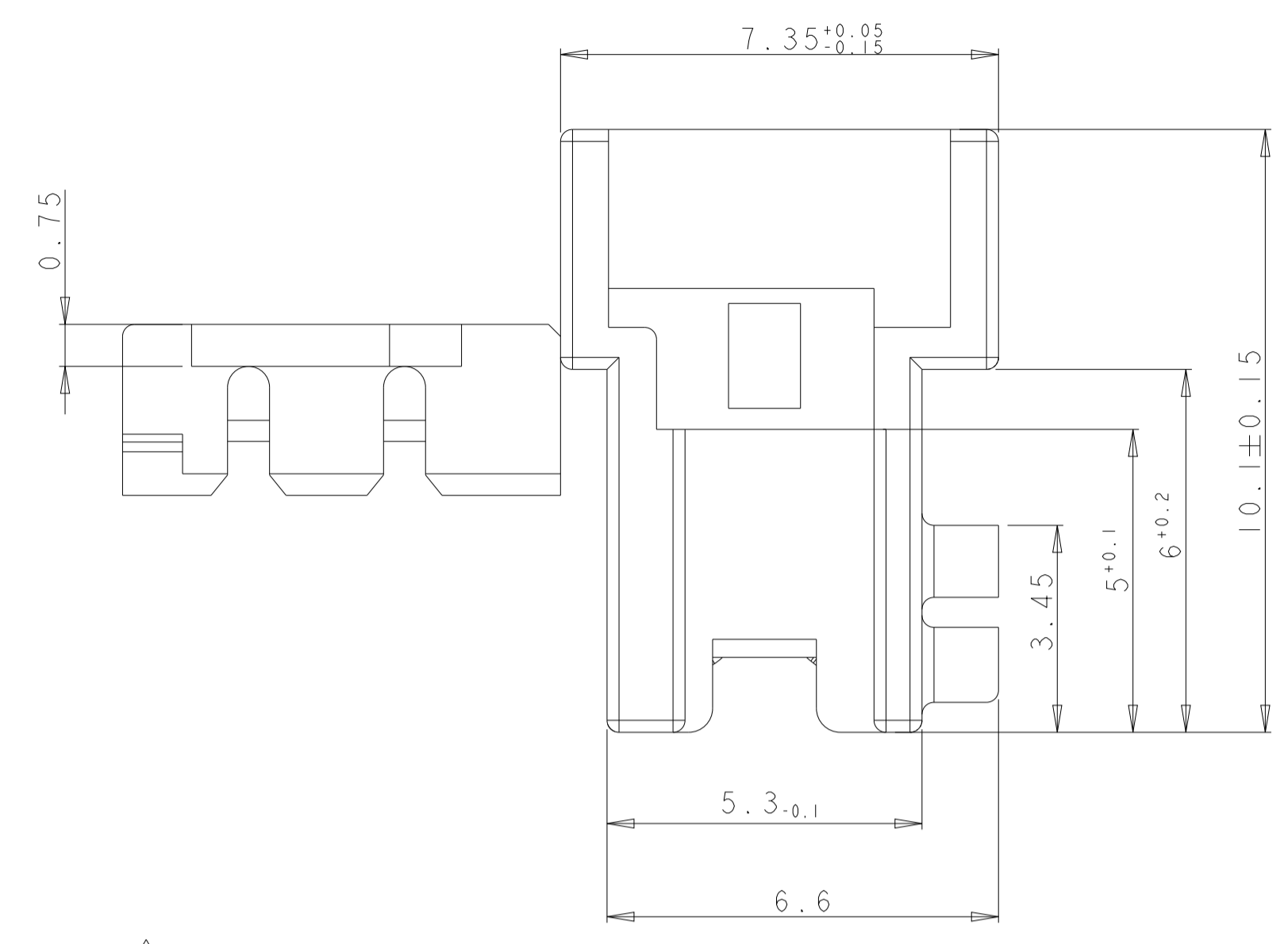
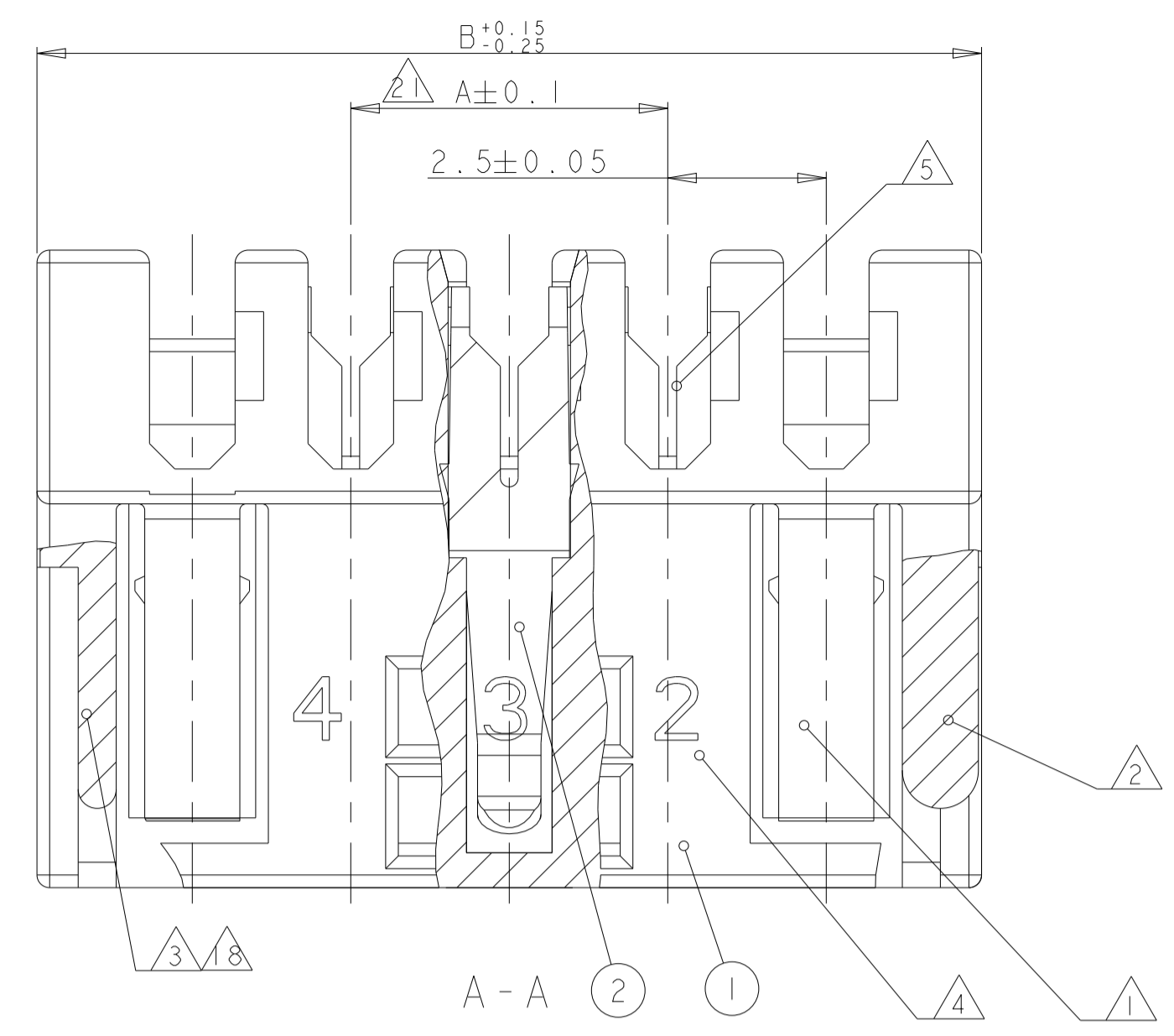
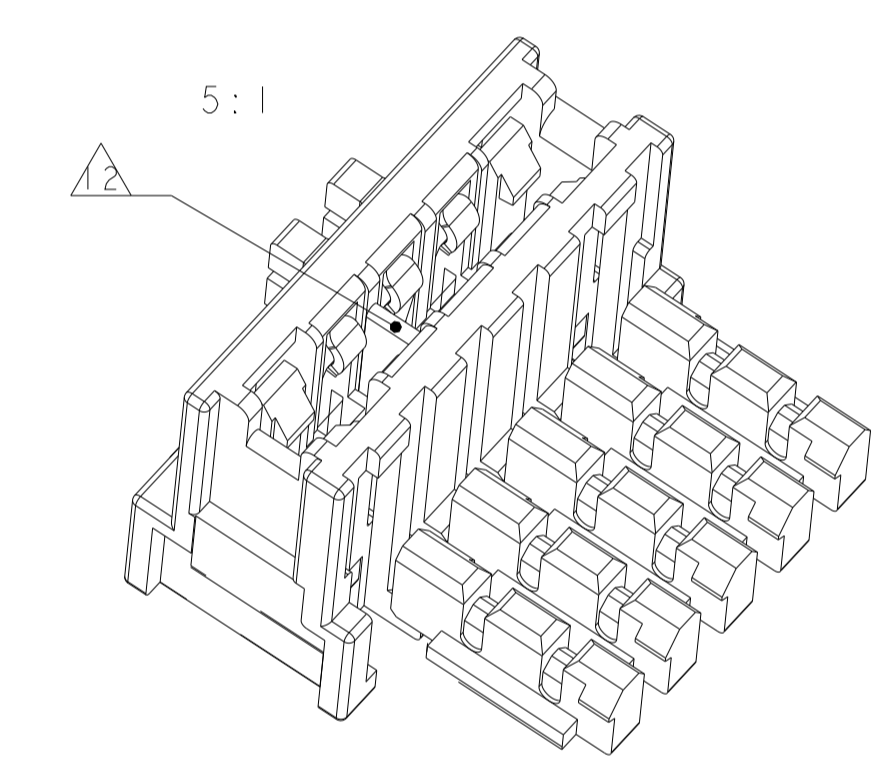


REVISIONS				
P	LTN	DESCRIPTION	DATE	APVD
E	ECR-22-130044		01MAR2022	DC FL
E1	ECR-22-134224		04APR2022	DC FL
E2	ECR-22-142661		22JUN2022	DC FL
E3	ECR-22-162225		16JAN2023	DC FL

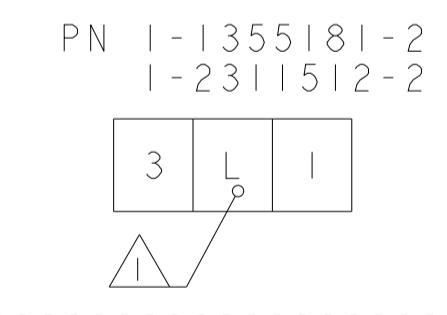


- △4 OBSOLETE
- △3 PART RELEASED WITHOUT EXTENSIVE TERMINATION TESTS
- △2 ALTERNATIVE RESIN PBT GF
- △1 DIMENSION A BETWEEN FIRST AND LAST CONTACT
- △0 PA GF, UL94-V0 & GWEPT 750 NO-FLAME
- △9 PBT GF
- △8 ONLY FOR 3-1355181-2 & 2311512-2, REMOVED THE POLARIZATION RIB ON THE LAST CAVITY
- △7 PRELIMINARY - NOT RELEASED FOR PRODUCTION
- △6 OBSOLETE PARTS: OBSOLETE CIS STREAMLINING PER D.RENAUD/D.SINISI
- △5 DIMENSION OF THE PADS ON BOTH SIDES OF THE SLOT (NOTE 13), MIRRORED Leiterbahnabmessung beidseitig vom Schlitz (Note 13), spiegelbildlich
- 14 DIMENSION IN BRACKET ONLY USED WITH AMP DUOPLUG 2.5 mm FEMALE CONNECTOR. Masse in Klammer nur geeignet fuer AMP DUOPLUG 2.5 mm Federleisten.
- △3 SLOT FOR ADDITIONAL KEYING RIB Schlitz fuer zusaetzliche Kodierrippe
- △2 ADDITIONAL KEYING RIB BETWEEN CAVITY NO. Zusaetzliche Kodierrippe zwischen Kammer Nr.
- △1 REDUCTION OF PAD WIDTH OF ALL PADS AS SHOWN IS POSSIBLE. Verjuengung aller Leiterbahnen wie dargestellt moeglich.
- △0 INCLUSIVE COPPER CLADDING: Inclusive Kupferkaschierung:
- △9 PCB PREFERABLY CHAMFERED. Leiterplatte vorzugsweise angefast.
- △8 SLOT FOR KEYING RIB. Schlitz fuer Kodierrippe.
- △7 SLOT FOR POLARIZATION RIB. Schlitz fuer Polarisierungsrippe.
- △6 CUTTING AREA FROM PRODUCING PROCESS. Schnittbereich durch Herstellungsprozess.
- △5 SLOT ACCEPT STRANDED WIRE 7x0.25mm=0.35mm<sup>2</sup>. SEE APPLICATION SPECIFICATION 114-18049. Schlitz geeignet fuer Leitungen 7x0.25mm=0.35mm<sup>2</sup>. Siehe Verarbeitungsanweisung 114-18049.
- △4 CAVITY NO. Kammer Nr.
- △3 POLARIZATION RIB Polarisierungsrippe
- △2 KEYING RIB Kodierrippe
- △1 LOCKING LATCH BEFORE FIRST AND AFTER LAST CAVITY (3-18 POSN.) AND ON MIDDLE CAVITY (2POSN. ONLY) Rasthaken vor 1. Kammer und nach letzter Kammer(3-18 polig) und bei mittlerer Kammer (nur 2 polig)

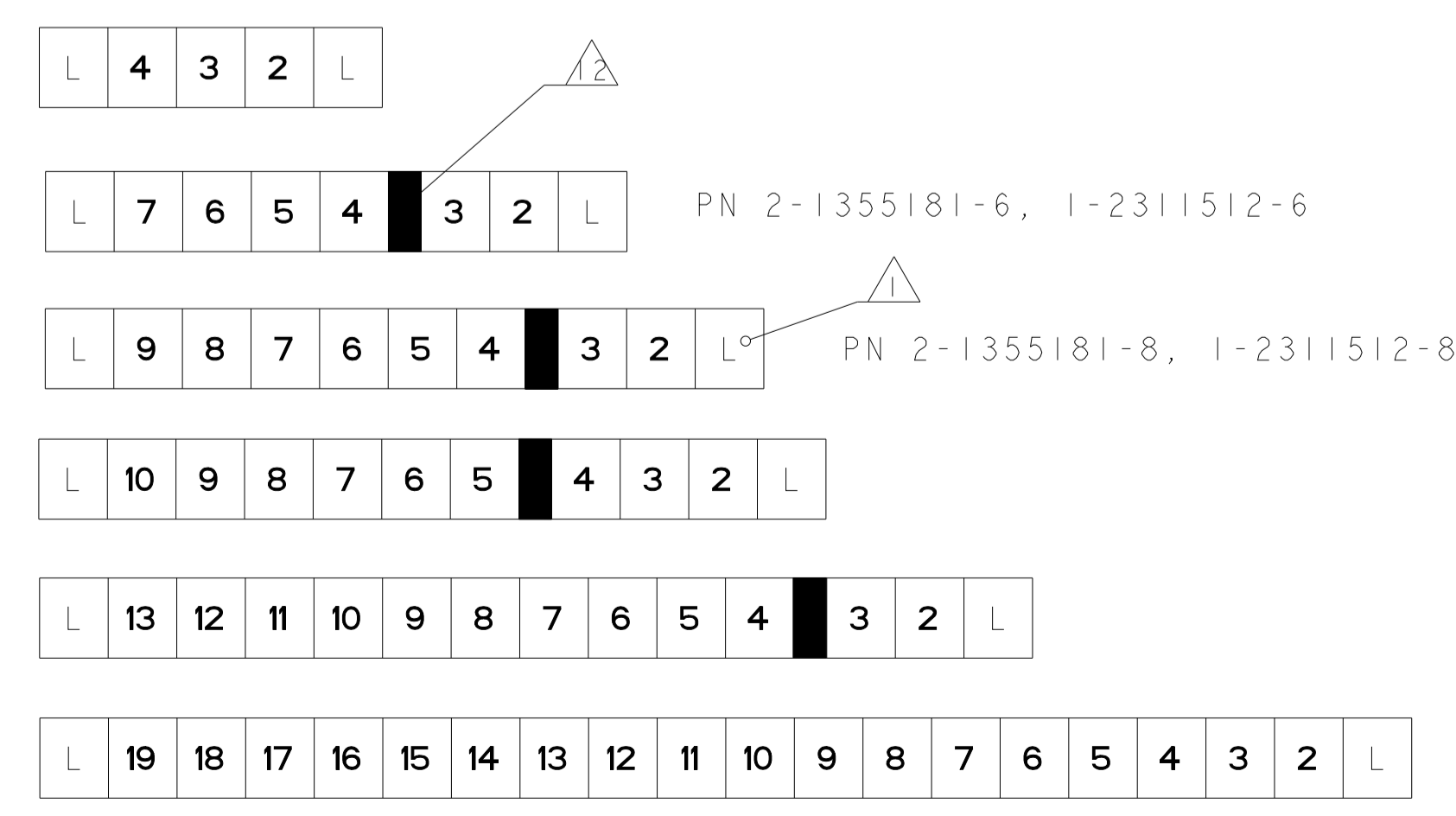


**LOCKING AND KEYING PLAN**  
Rasthaken und Kodierschema

**SPECIAL VERSION 2 POSN.**  
Sondervariante 2 pol.



Variante  
3 pol. - 18 pol.



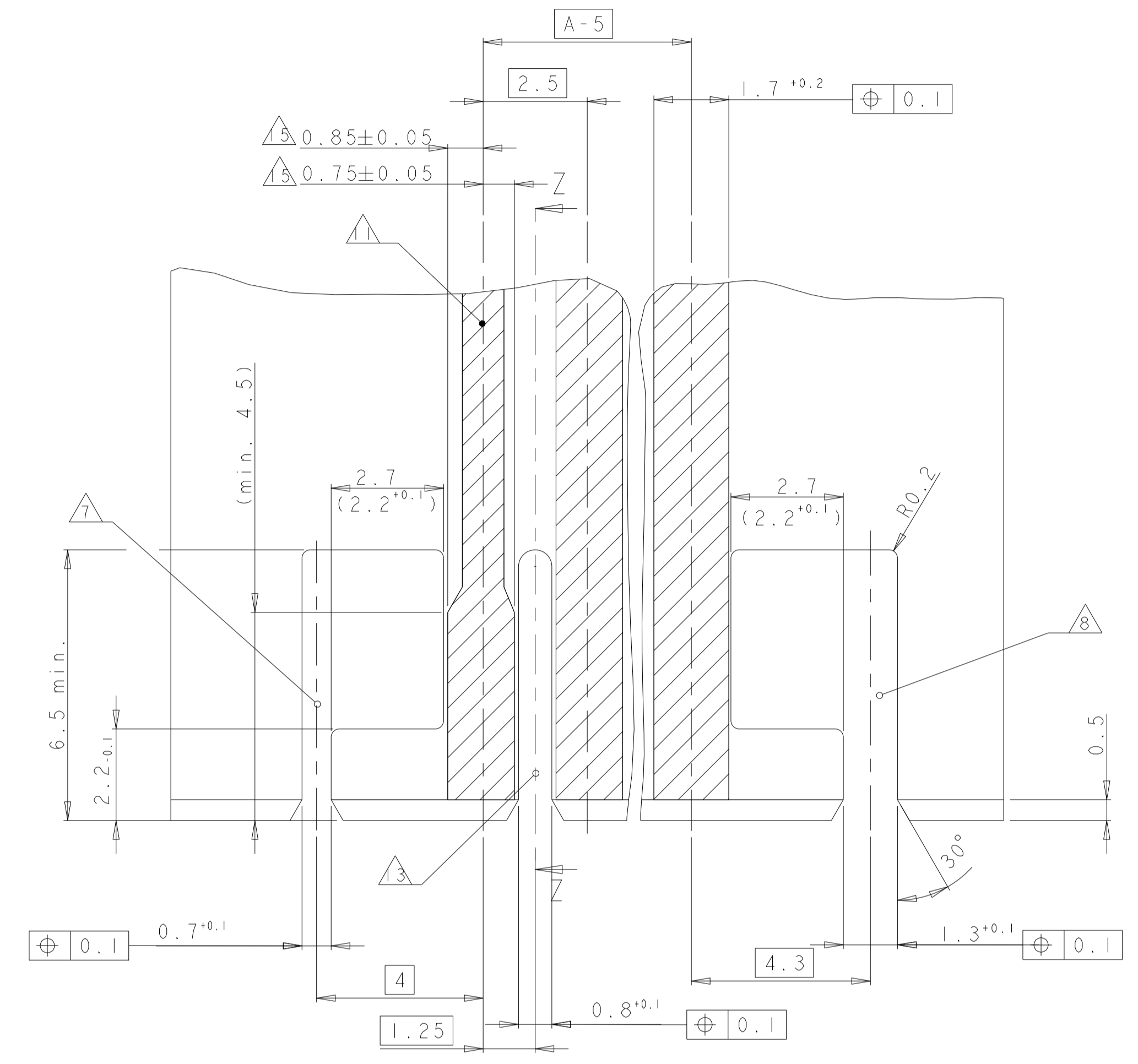
POS. Polzahl	DIM A Mass A	DIM B Mass B	KEYING Kodierung	PART NUMBER	PART NUMBER	PART NUMBER
OBSOLETE	18	42.5	52.4	-	1-1355182-8	-
OBSOLETE	17	40	49.9	-	1-1355182-7	-
OBSOLETE	16	37.5	47.4	-	1-1355182-6	-
OBSOLETE	15	35	44.9	-	1-1355182-5	-
OBSOLETE	14	32.5	42.4	-	1-1355182-4	-
OBSOLETE	13	30	39.9	-	1-1355182-3	-
OBSOLETE	12	27.5	37.4	3+4	2-1355182-2	-
OBSOLETE	11	25	34.9	-	1-1355182-1	-
OBSOLETE	10	22.5	32.4	-	1-1355181-0	1-2311512-0
OBSOLETE	9	20	29.9	4+5	2-1355181-9	-
				1-1355181-9	2311512-9	1-2403116-9
				2-1355181-8	1-2311512-8	2-2403116-8
				1-1355181-8	2311512-8	1-2403116-8
				1-1355181-7	2311512-7	1-2403116-7
				2-1355181-6	1-2311512-6	2-2403116-6
				1-1355181-6	2311512-6	1-2403116-6
				1-1355181-5	2311512-5	1-2403116-5
				1-1355181-4	2311512-4	1-2403116-4
				1-1355181-3	2311512-3	1-2403116-3
				3-1355181-2	2311512-2	3-2403116-2
				1-1355181-2	1-2311512-2	1-2403116-2

SEE TABLE	2	CONTACT/Kontakt	CuSn	TINNED/vorverzinnt
Siehe Tabelle	1	HOUSING/Federleistegehäuse	PBT	NATUR
PN Bestell-Nr.	POS.	NAME	MATERIAL	FINISH/Oberflaeche COLOR/Farbe

THIS DRAWING IS A CONTROLLED DOCUMENT.		DATE: 16MRZ99
DIMENSIONS: mm		APVD: Schnaubelt
TOLERANCES UNLESS OTHERWISE SPECIFIED:		NAME: AMP DUOPLUG 2,5 TM WITH PCB LOCKING DEVICE DGB 11
0 PLC	±0.2	PRODUCT SPEC
1 PLC	±0.2	APPLICATION SPEC
2 PLC	±0.2	SIZE: 114-18049-1
3 PLC	±0.2	WEIGHT: -
4 PLC	±0.2	CUSTOMER DRAWING
ANGLES	±2°	SCALE: 10:1
FINISH	SEE TABLE	SHEET 1 OF 2
SEE TABLE	SEE TABLE	REV: E3

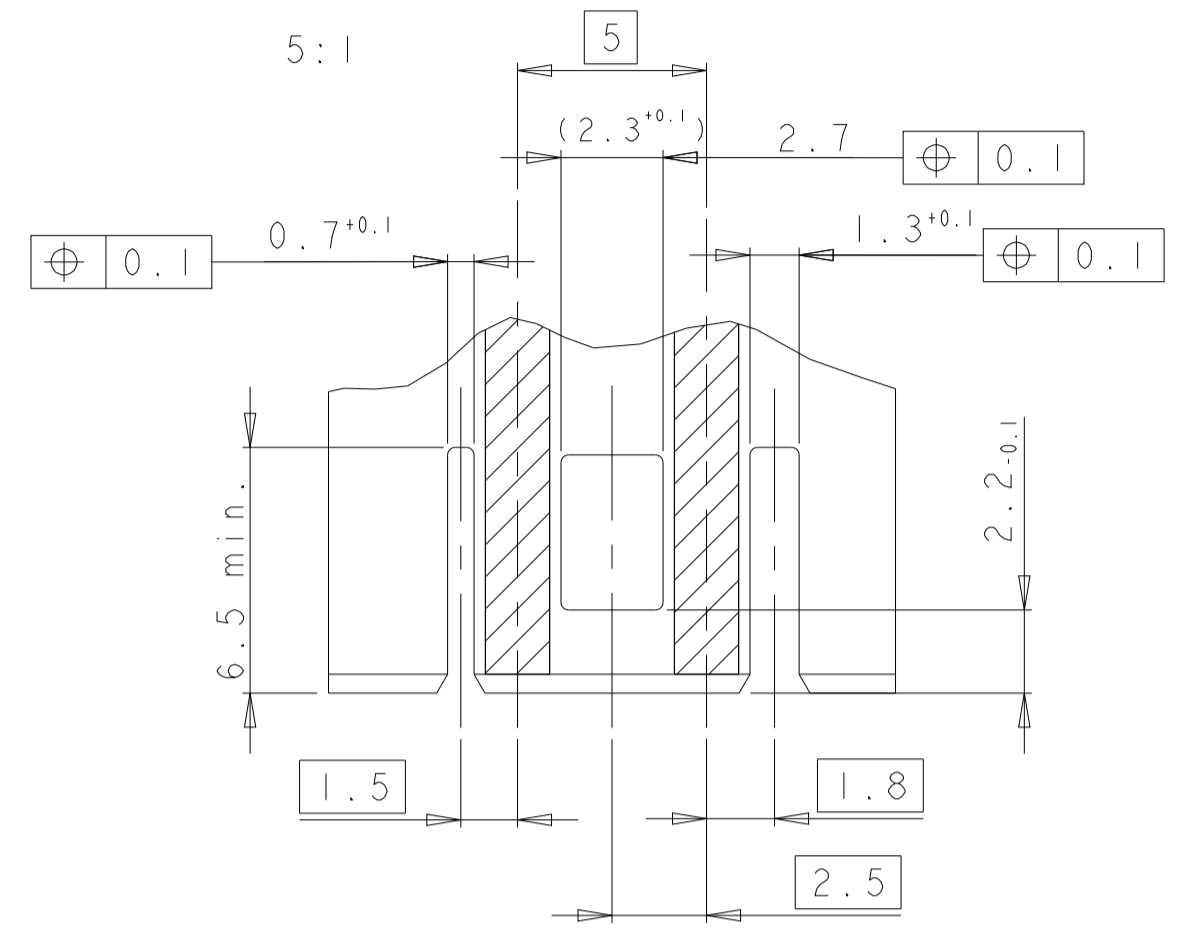
REVISIONS				
P.	LTN.	DESCRIPTION	DATE	APVD.
-	-	SEE SHEET 1	-	-

PCB LAYOUT  
 Leiterplattenanschluss

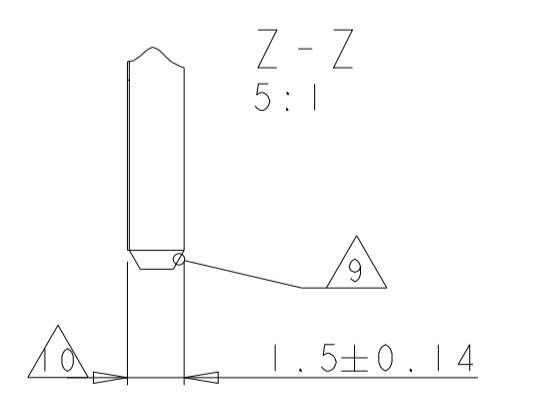
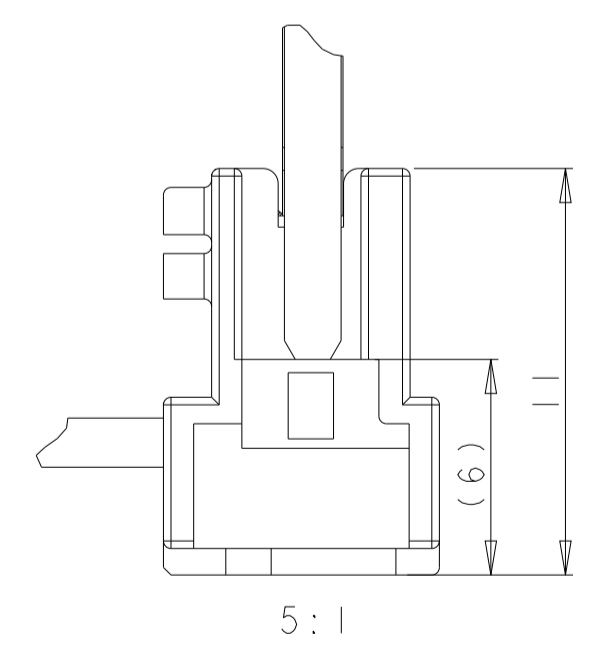
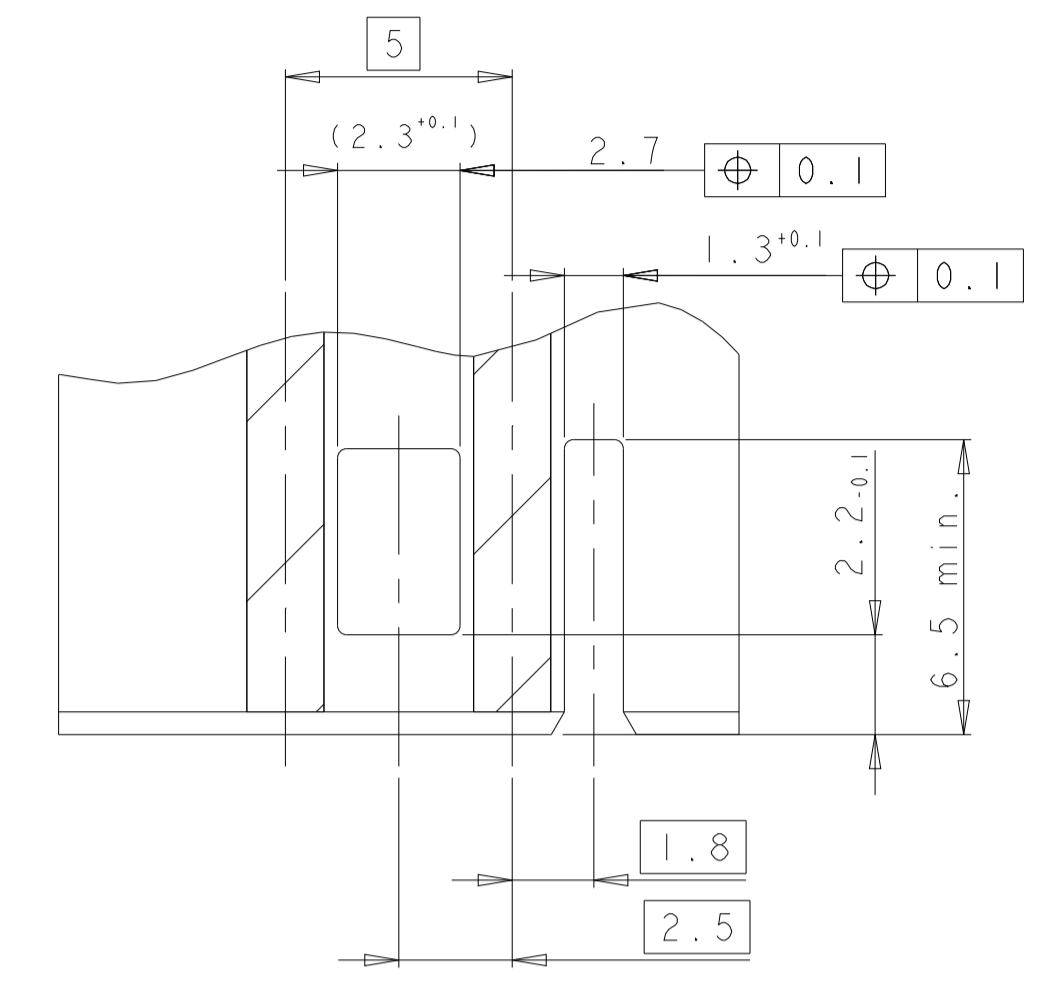


TOLERANCES UNLESS OTHERWISE SPEC. ±0.1 mm  
 Freimasstoleranz ±0.1 mm

SPECIAL VERSION 2 POSN.  
 Sondervariante 2 pol.



3-1355181-2 , 2311512-2



THIS DRAWING IS A CONTROLLED DOCUMENT.		DWN: <b>Weber</b> 16MRZ99	TE Connectivity
		CHK: <b>Schnaubelt</b> 06JUL99	
DIMENSIONS:	TOLERANCES UNLESS OTHERWISE SPECIFIED:	APVD:	NAME:
mm	0 PLC ±0.2		AMP DUOPLUG 2.5
	1 PLC ±0.2	PRODUCT SPEC:	WITH PCB LOCKING DEVICE DGB 11
	2 PLC ±0.2	APPLICATION SPEC:	
	3 PLC ±0.2	SIZE: 114-18049-1	CAGE CODE: A100779
	4 PLC ±0.2	WEIGHT:	DRAWING NO: C=1355181
MATERIAL: SEE TABLE	FINISH: SEE TABLE	CUSTOMER DRAWING	RESTRICTED TO: -
			SCALE: 10:1 SHEET 2 OF 2 REV: E3