

THIS DRAWING IS UNPUBLISHED.

RELEASED FOR PUBLICATION

ALL RIGHTS RESERVED.

© COPYRIGHT 2009 Tyco Electronics Japan G.K.

LOC
J

DIST
-

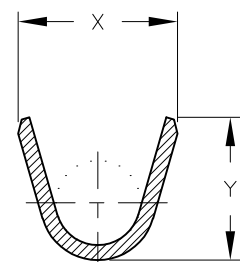
REVISIONS

P	LTR	DESCRIPTION	DATE	DWN	APVD
	G	REVISED PER ECR-15-011723	08AUG2015	Y.O	E.T

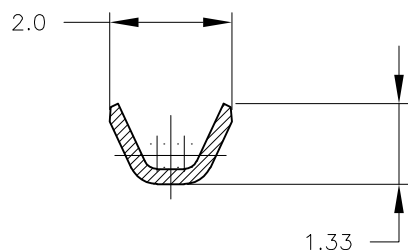
WIRE RANGE ID MARK
 S : 1318106-1
 S1 : 1-1318106-1 \triangle

CONTACT ID MARK

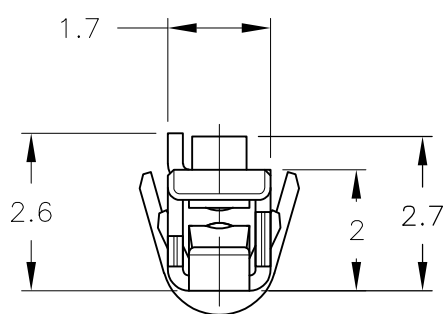
TOOLING ID MARK
ON OUTER SURFACE



SECT B-B

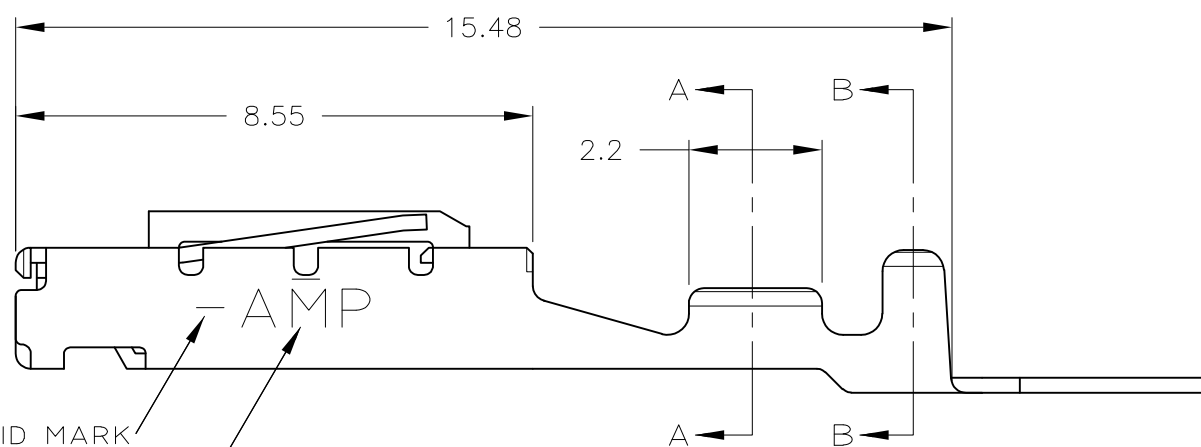
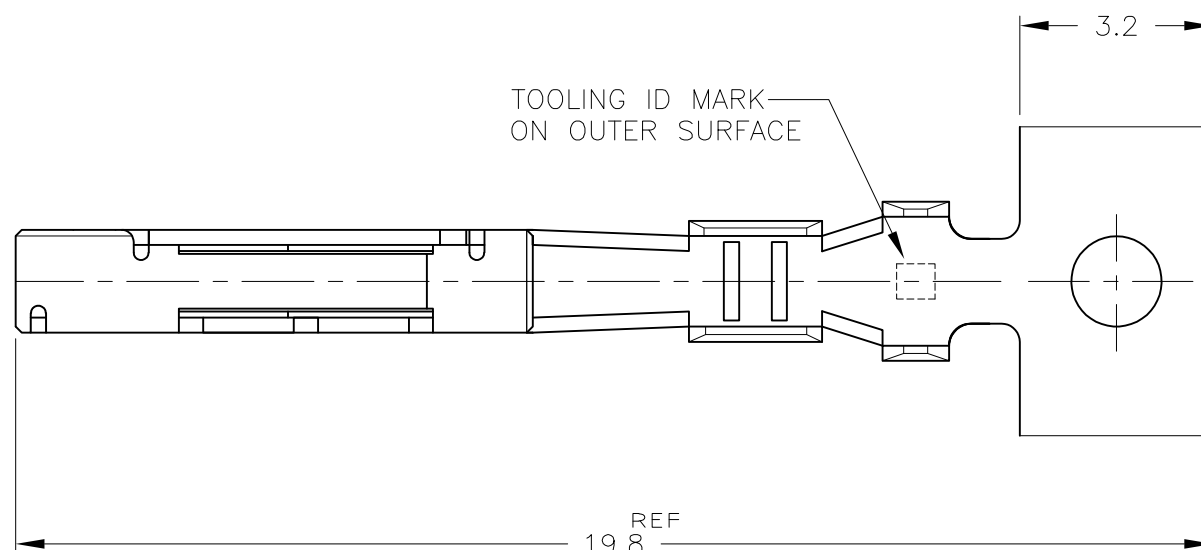
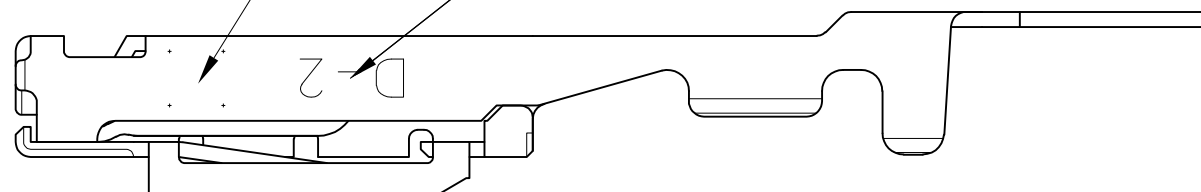


SECT A-A



TOOLING ID MARK

AMP MARK



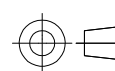
1 . FINISH (CONTACT AREA) :
0.38 μ mMIN GOLD PLATING OVER NICKEL PLATING.

\triangle . APPLICABLE WIRE FOR THIS CONTACT IS UL1051 ONLY.
(SEE 114-5258 AS DETAIL)

AWG #24 \triangle	2.20~2.25	2.70	3.06	1-1318106-1
AWG #28~#24	0.88~1.50	2.36	2.63	1318106-1
WIRE RANGE	INSULATION DIA	Y	X	PART NO

THIS DRAWING IS A CONTROLLED DOCUMENT.

DIMENSIONS:
mm



TOLERANCES UNLESS OTHERWISE SPECIFIED:	
0 PLC	± 0.4
1 PLC	± 0.4
2 PLC	± 0.4
3 PLC	± 0.4
4 PLC	± 0.4
ANGLES	$\pm 5^\circ$

MATERIAL
CUPPER ALLOY

FINISH
SEE NOTE

DWN	K.IKEDA	07DEC1998
CHK	N.MATSUBARA	07DEC1998
APVD	I.HASEGAWA	07DEC1998
PRODUCT SPEC	108-5619	
APPLICATION SPEC	114-5258	
WEIGHT	-	

STE TE Connectivity

DYNAMIC 2000 SERIES
REC CONTACT
S-SIZE

SIZE	CAGE CODE	DRAWING NO	RESTRICTED TO
A3	00779	C-1318106	-

CUSTOMER DRAWING

SCALE 8:1 SHEET 1 OF 1 REV G