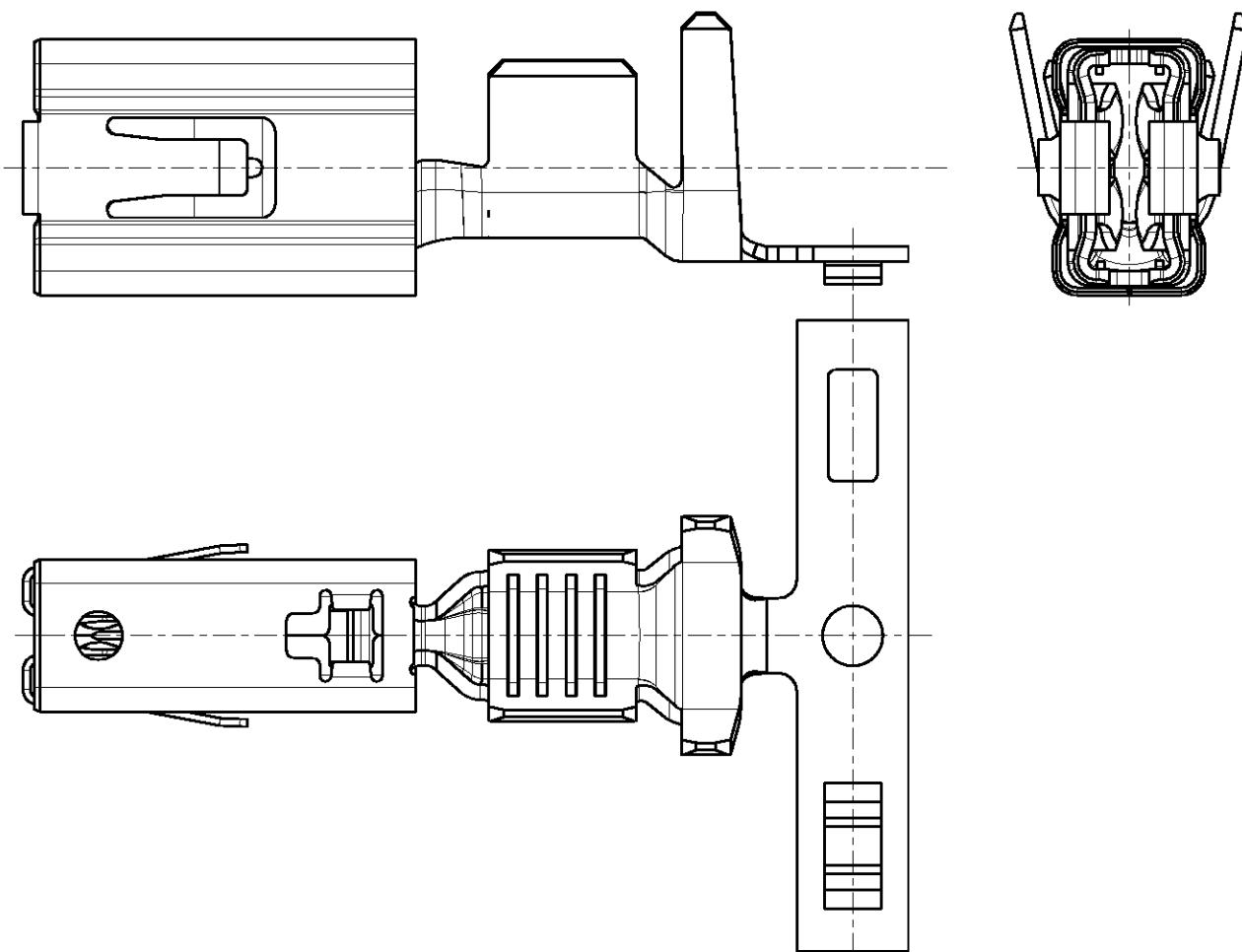


LOC	DIST	REVISIONS				
P	LTR	DESCRIPTION	DATE	DWN	APVD	
A1	-	A	NEW DRAWING	03DEC2001	R.M.	-



REFER TO PRODUCT GROUP DRAWING 1241438
FOR LATEST INFORMATION ON THE PART

Für aktuelle Information zum Teil wird auf die
Produkt - Gruppenzeichnung 1241438 hingewiesen


2001

RELEASED FOR PUBLICATION

THIS DRAWING IS UNPUBLISHED

BY TYCO ELECTRONICS CORPORATION. ALL RIGHTS RESERVED.

© COPYRIGHT 2001

DIMENSIONS:		DWN	03DEC2001	MATERIAL	-	FINISH	-
mm		R. Meier		 tyco Electronics AMP GmbH D - 64625 Bensheim			
TOLERANCES UNLESS OTHERWISE SPECIFIED:		CHK	03DEC2001				
		R. Schäfer					
0 PLC ±		APVD	-	NAME			
1 PLC ±		PRODUCT SPEC	-	AMP MCP6.3K/4.8K FLATCONTACT			
2 PLC ±		APPLICATION SPEC	-	AMP MCP6.3K/4.8K Flachkontakt			
3 PLC ±		WEIGHT	-	SIZE	CAGE CODE	DRAWING NO	RESTRICTED TO
4 PLC ±				A 4	00779	©=1241406	-
ANGLES ±		CUSTOMER DRAWING		SCALE	5:1	SHEET 1 OF 1	REV A