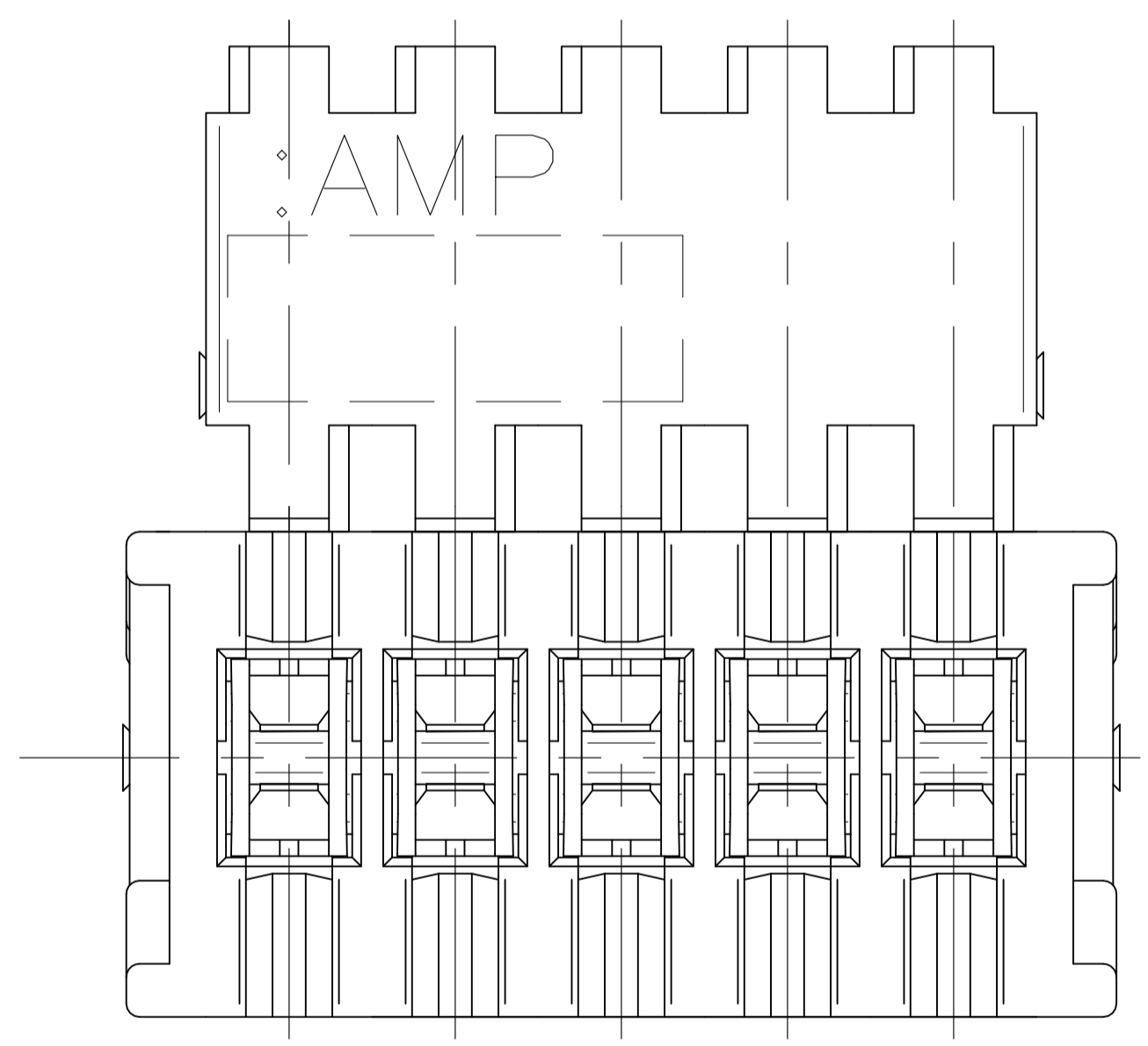
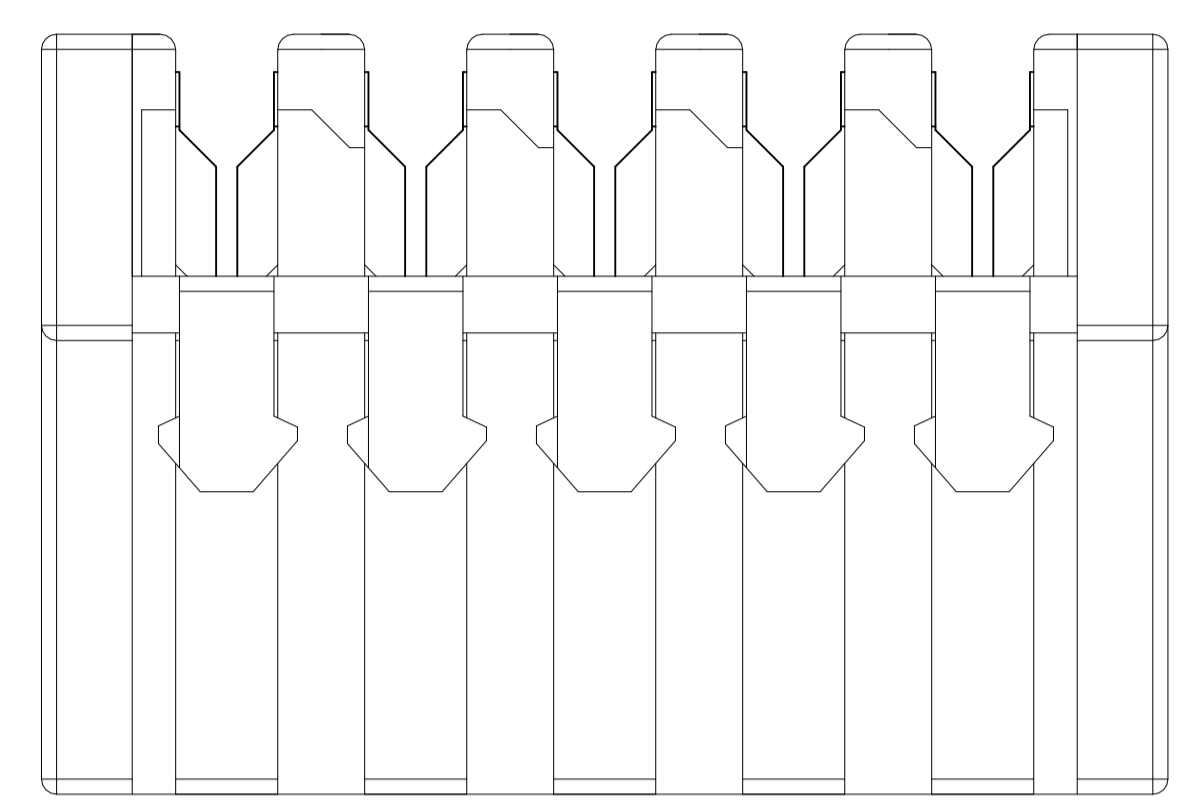
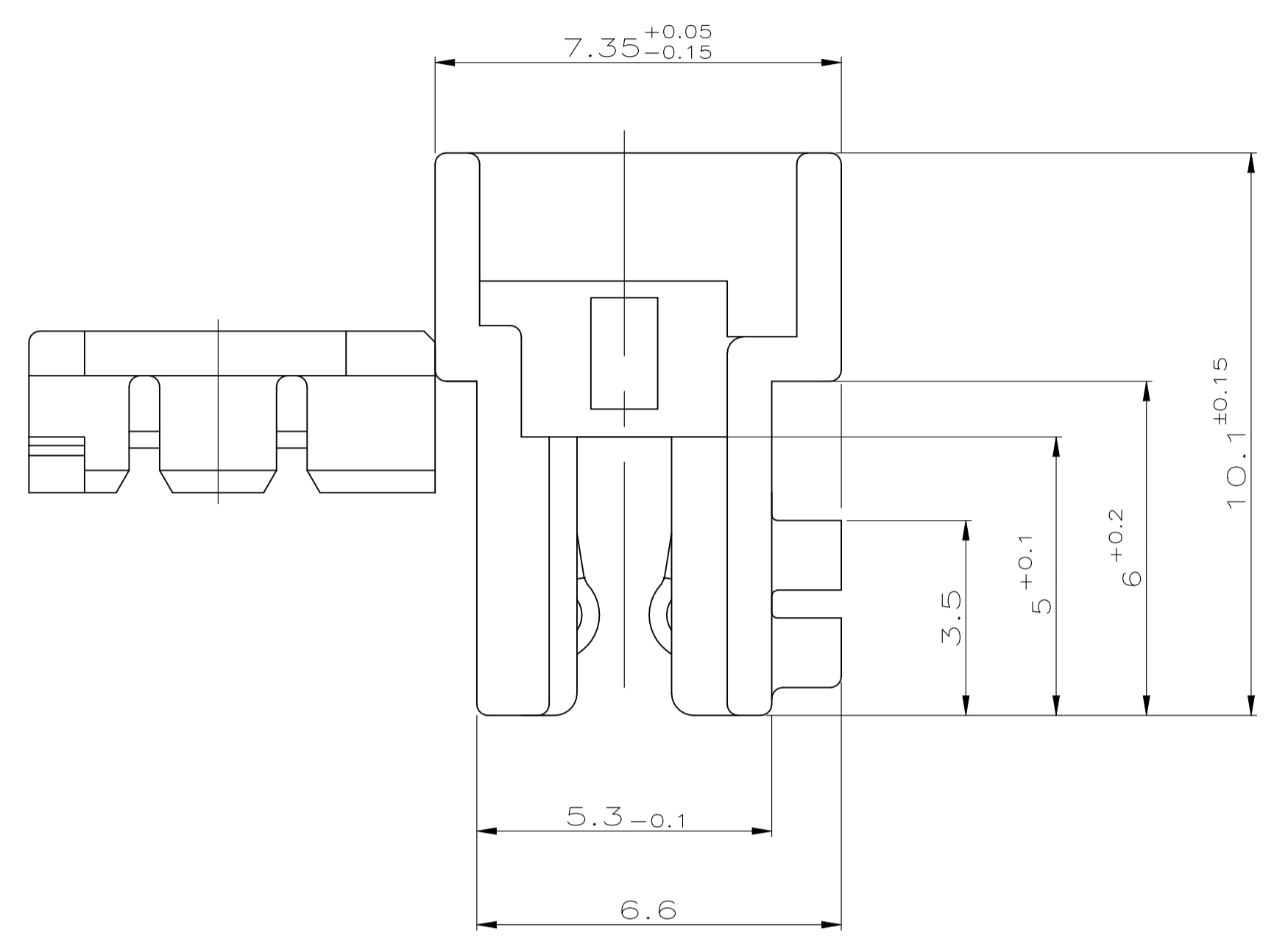
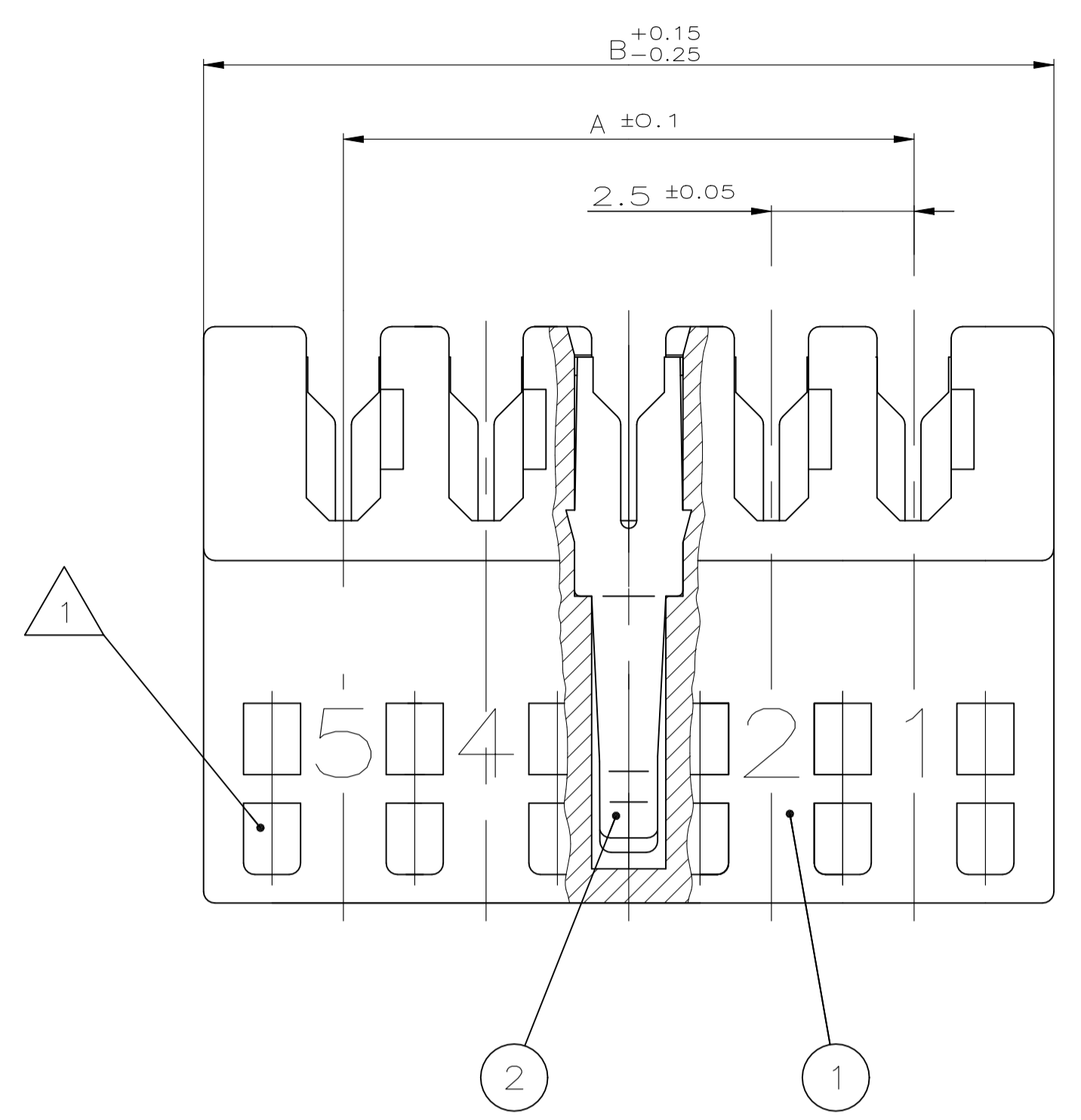


REVISIONS					
POS.	DATE	DESCRIPTION	BY	APPV	REV
C1	27JAN2023	REVISED PER ECR-22-162225	SM	FL	



- 5 PART RELEASED WITHOUT EXTENSIVE TERMINATION TESTS
- 4 PA GF, UL94-V0 & GWEPT 750 NO-FLAME, NATURAL
- 3 PBT GF
- 2 MATING PARTS:
 -TABHEADER SEE DRAWING NO.1971817 AND EQUIVALENT;
 -PCB APPLICATION WITH FRAME SEE DRAWING 964 575
 -PCB APPLICATION WITHOUT FRAME SEE SPECIFICATION 108-18056
- 1 KEYING RIBS; CUTTING WITH THE TERMINATION MACHINE POSSIBLE

POS.	DIM A	DIM B	TE P/N	TE P/N
6	12.5	17.4	1-1241121-6	9-2311500-6
4	7.5	12.4	1-1241121-4	9-2311500-4
3	5.0	9.9	1-1241121-3	-

SIEHE TABELLE 2 - KONTAKT					CuSn	VORVERZINNT	THIS DRAWING IS A CONTROLLED DOCUMENT.		DIN 26.06.92 ATZMANN		TE Connectivity	
SEE TABLE 1 - FEDERLEISTENGEHÄUSE					PBT	GRAU	DIMENSIONS: mm		DIN 26.06.92 BORMUTH		AMP DUOPLUG 2.5™ FEMALE CONNECTOR	
BESTELL-NR. POS. STÜCK BENENNUNG EINZELTEIL WERKSTOFF OBERFLÄCHE FARBE							TOLERANCES UNLESS OTHERWISE SPECIFIED:		NAME		AMP DUOPLUG 2.5™ Federleiste	
							0. PLC ± -		PRODUCT SPEC		APPLICATION SPEC	
							1. PLC ± 0.2		SIZE		114-18049-1	
							2. PLC ± -		CAGE CODE		100779	
							3. PLC ± -		DRAWING NO		1241121	
							4. PLC ± -		RESTRICTED TO		CUSTOMER DRAWING	
							ANGLES ± 1°		WEIGHT		0	
							FINISH		SCALE		10:1	
									SHEET		1 of 1	
									REV		C1	