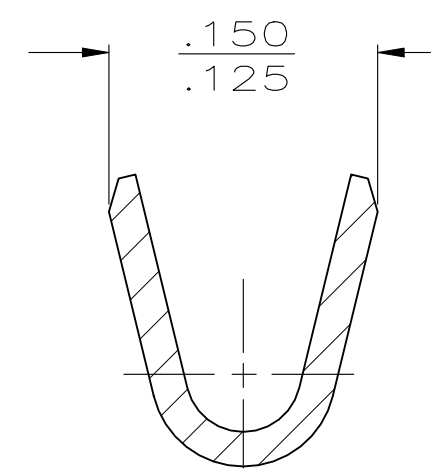
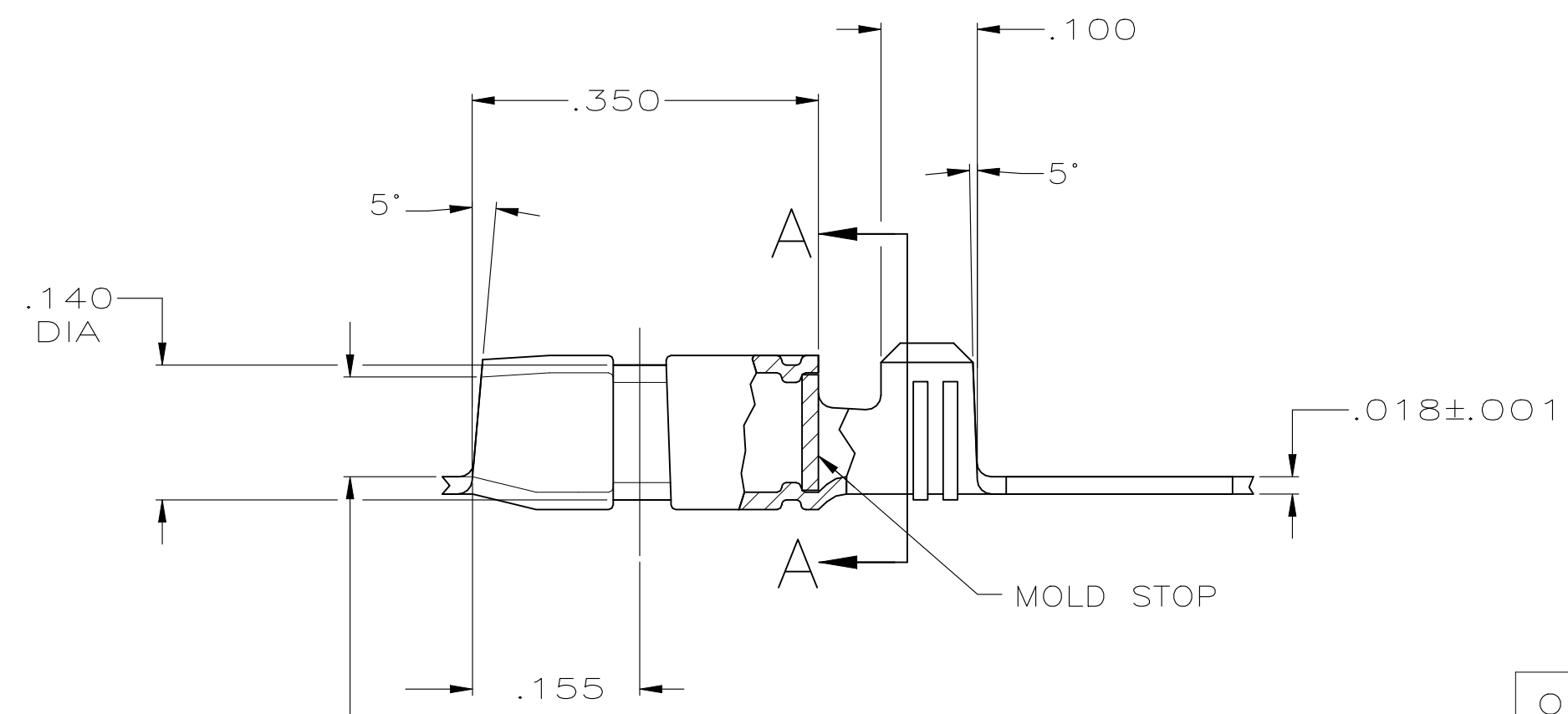
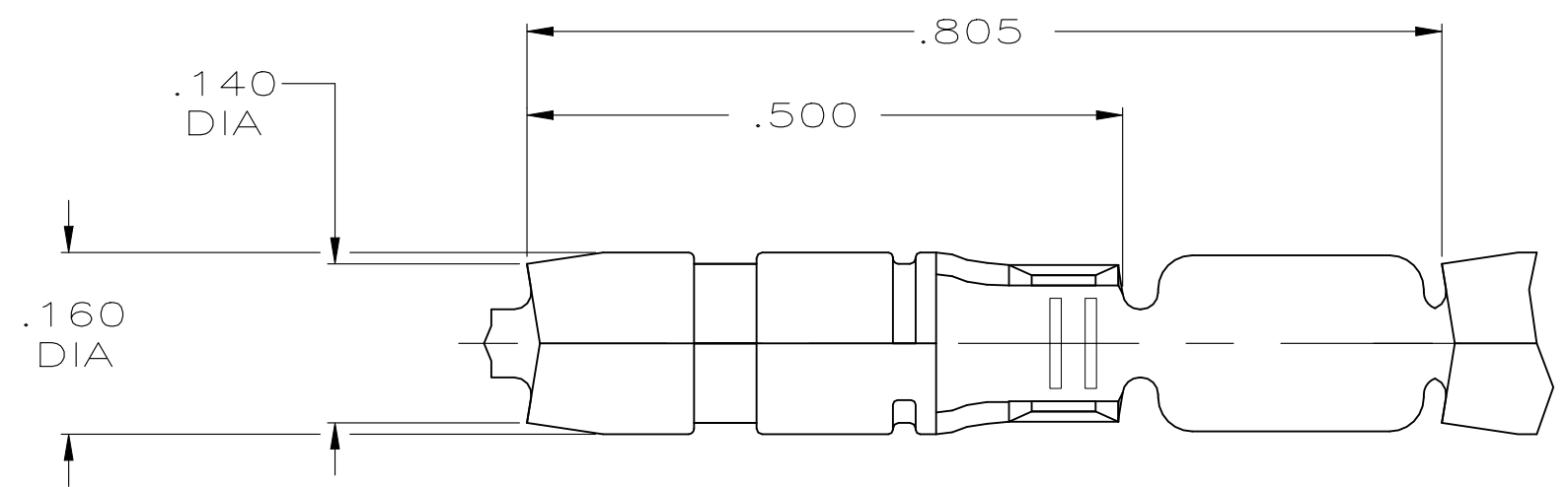


THIS DRAWING IS UNPUBLISHED. RELEASED FOR PUBLICATION
 © COPYRIGHT BY TYCO ELECTRONICS CORPORATION. ALL INTERNATIONAL RIGHTS RESERVED.

LOC	DIST	REVISIONS			
P	LTR	DESCRIPTION	DATE	DWN	APVD
AF	50	F1	REVISED PER ECR-24-210890	14AUG2024	DB BW

- 1 CONTINUOUS STRIP ON REEL.
- 2 WIRE SIZE IS 18-14 AWG.
- △ 3 PRELIMINARY - NOT FOR PRODUCTION



OBSOLETE	TIN PLATE	△ 3 1217606-2
	PRE-TIN PLATE	1217606-1
	FINISH	PART NO.

THIS DRAWING IS A CONTROLLED DOCUMENT.		DWN	JR RUTH	07MAR01	Tyco Electronics Corporation Harrisburg, PA 17105-3608		
DIMENSIONS: INCHES		CHK	MS FEHER	07MAR01			
		TOLERANCES UNLESS OTHERWISE SPECIFIED:		APVD	SHUR PLUG, .156 DIA		
0 PLC ± - 1 PLC ± - 2 PLC ± - 3 PLC ± .010 4 PLC ± - ANGLES ± -		FINISH		PRODUCT SPEC	SIZE		
MATERIAL		SEE TABLE		APPLICATION SPEC	CAGE CODE		
081 BRASS				WEIGHT	DRAWING NO		
				CUSTOMER DRAWING		A3 00779 C-1217606	
				SCALE		RESTRICTED TO	
				6:1		-	
				SHEET		REV	
				1 OF 1		F1	