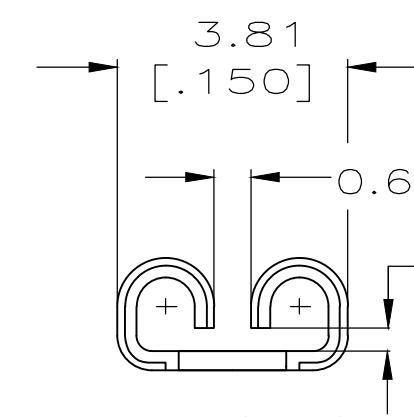
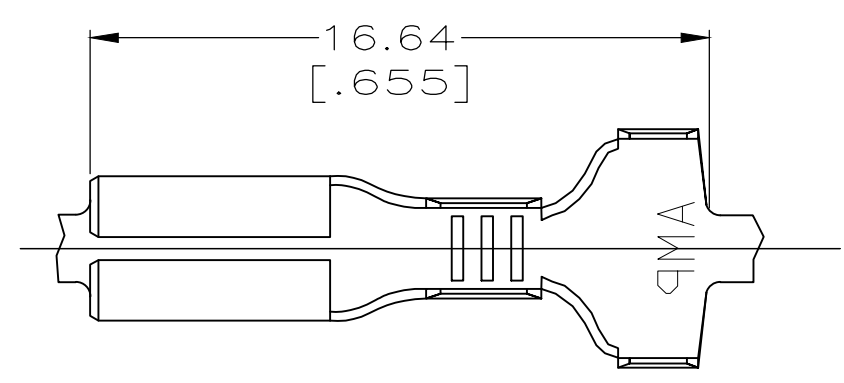


THIS DRAWING IS UNPUBLISHED. RELEASED FOR PUBLICATION
 © COPYRIGHT - By - ALL RIGHTS RESERVED.

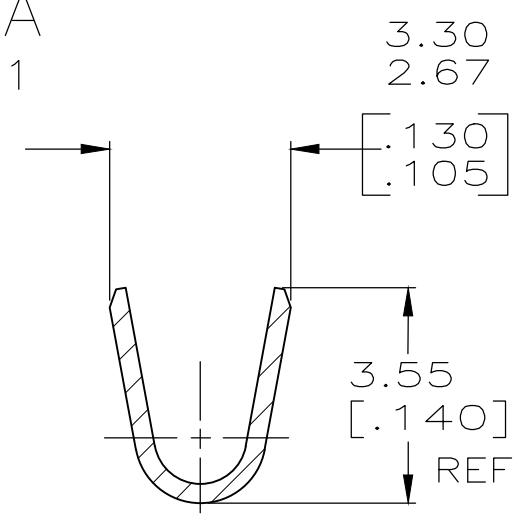
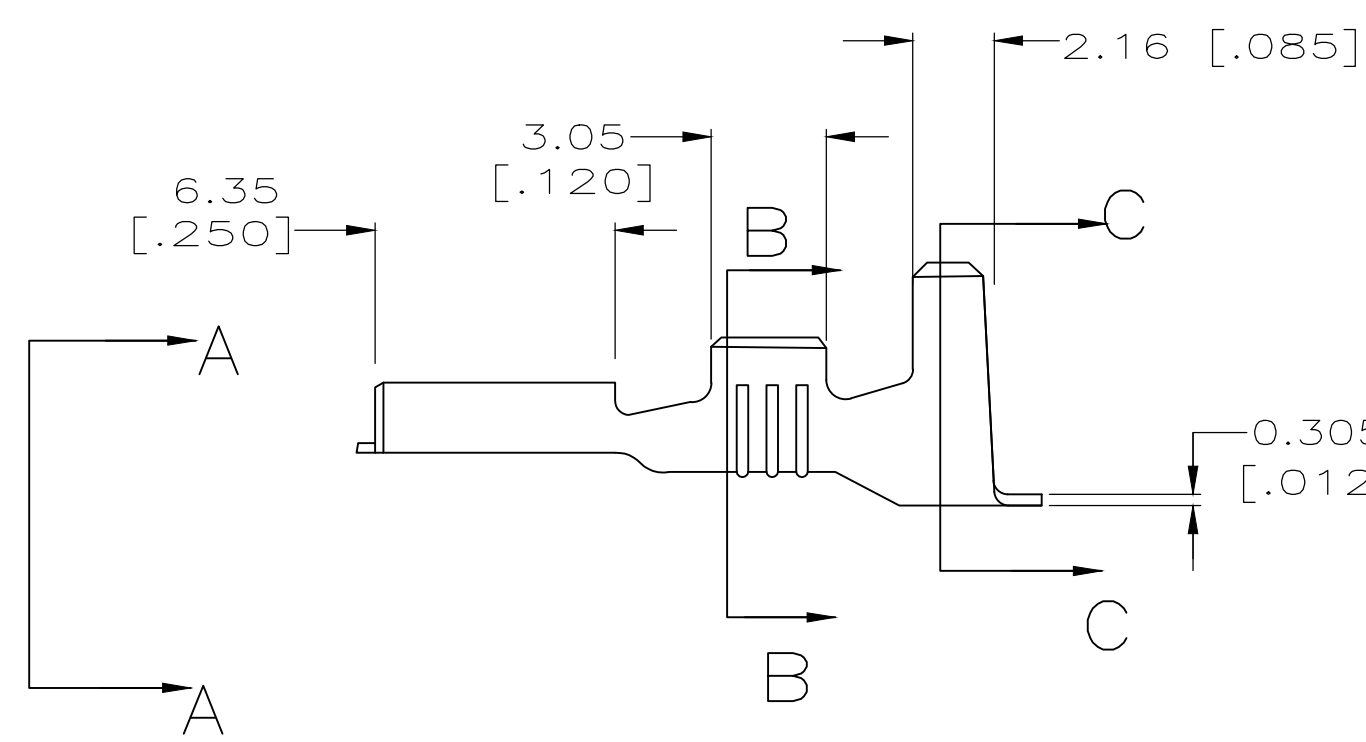
LOC	DIST	REVISIONS			
P	LTR	DESCRIPTION	DATE	DWN	APVD
AF	50	E1	REVISED PER ECR-20-009164	23JUL2020	MK DH

- CONTINUOUS STRIP ON REELS.
- ACCEPTS TWO #18'S AWG, OR #18-#16 AWG.
- INSULATION RANGE IS 2.79-4.32 [.110-.170] DIA OR TWO AT 2.79 [.110] MAX DIA. WIRES TO BE STACKED
- MATING TAB THK TO BE 0.53-0.48 [.021-.019].

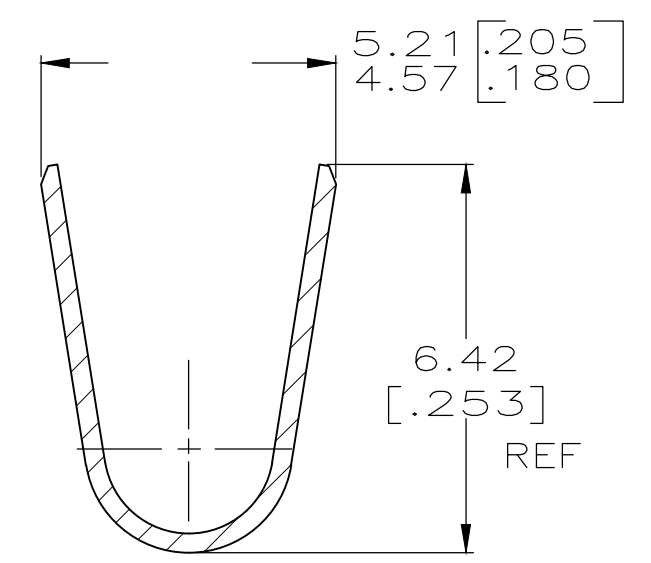


GAP AS REQUIRED TO MEET FORCE SPECIFICATIONS AND 0.45 [.018] MAX

VIEW A-A
SCALE 8:1



SECTION B-B
SCALE 8:1



SECTION C-C
SCALE 8:1

TIN	1217345-2
-	1217345-1
FINISH	PART NO.

THIS DRAWING IS A CONTROLLED DOCUMENT.		DWN	JR RUTH	22FEB00	TE Connectivity RECEPTACLE, FASTON, 2.79 [.110] SERIES				
DIMENSIONS: mm [INCHES]		CHK	MS FEHER	22FEB00					
TOLERANCES UNLESS OTHERWISE SPECIFIED:		APVD	P DESANTIS	23FEB00					
0 PLC ± - 1 PLC ± - 2 PLC ± 0.38 [.015] 3 PLC ± - 4 PLC ± - ANGLES ± -		PRODUCT SPEC	-						
MATERIAL	BRASS	FINISH	SEE TABLE		NAME	-			
-		APPLICATION SPEC	114-2036		SIZE	A3	CAGE CODE	00779	
-		WEIGHT	-		DRAWING NO	C-1217345		RESTRICTED TO	-
CUSTOMER DRAWING				SCALE	5:1	SHEET	1 OF 1	REV	E1