

1. INTRODUCTION

This specification covers the requirements for assembling the FAKRA II Right Angle Connector Housing in applications for Honda Motor Company. It was noted that the connector lock can be partially seated on the housing (Soft Set Condition), allowing the terminated cable to come loose from housing.

It is expected that the End of Line test fixtures be made to detect or prevent the Soft Set Condition from escaping the process. The provided features should be designed into the test fixtures so that a connector with the Soft Set condition cannot be mated to the fixture.

2. REFERENCE MATERIAL

This specification covers the requirements for assembling the FAKRA II Right Angle Connector Housing in applications for Honda Motor Company. It was noted that the connector lock can be partially seated on the housing (Soft Set Condition), allowing the terminated cable to come loose from housing.

2.1 REVISION SUMMARY

A Initial released version.

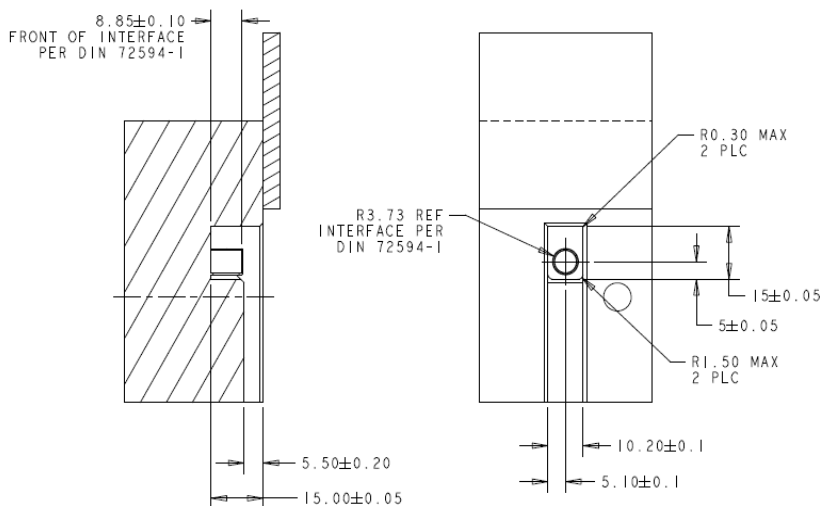
2.2 SPECIFICATIONS

Refer to 114-18623 for complete information regarding assembly of FAKRA II Right Angle Connectors.

3. REQUIREMENTS

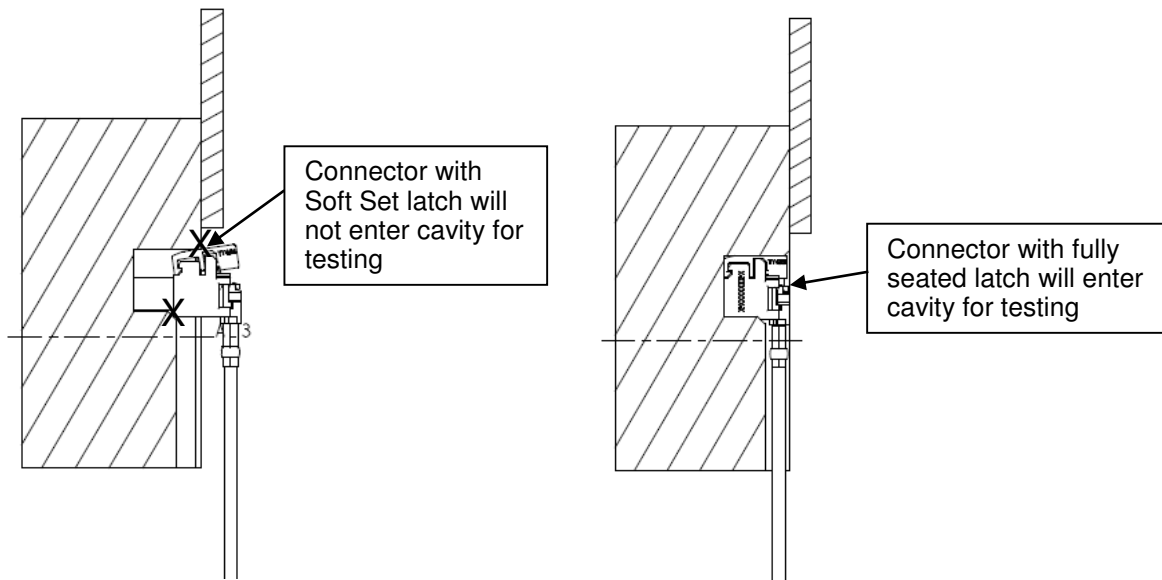
3.1 FIXTURE ENVELOPE

Dimensions apply for sub-assemblies terminated on Shikoku 1.5DS and similar cables



3.2 FIXTURE OPERATION

The fixture envelope will prevent entry of a housing with a Soft Set condition, preventing the harness from passing the end of line test.



3.2 FIXTURE REQUIREMENTS

The fixture should use a cover, that when closed will ensure that the terminated cable is fully inserted into the housing when the lock was seated.

A sensor should detect closure of the cover, so that the test can only initiate when the cover is fully closed.

