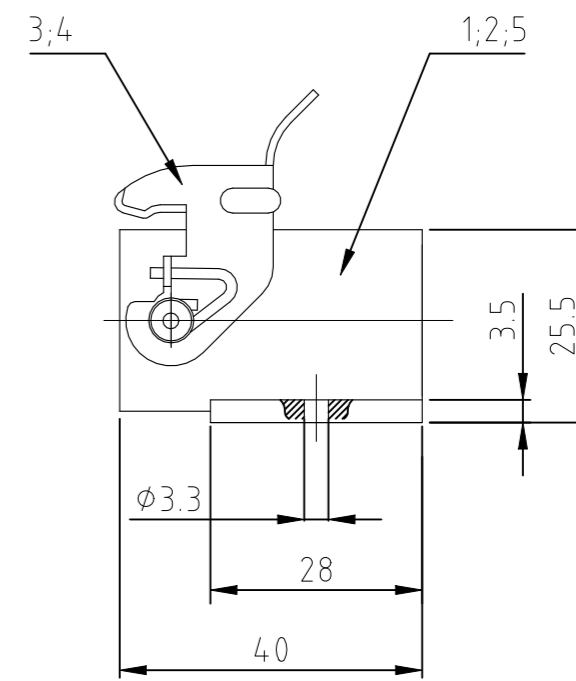
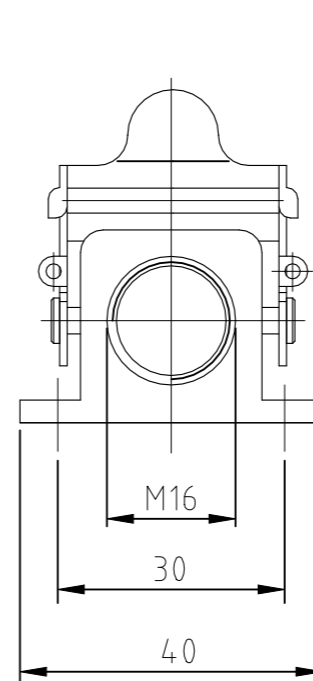
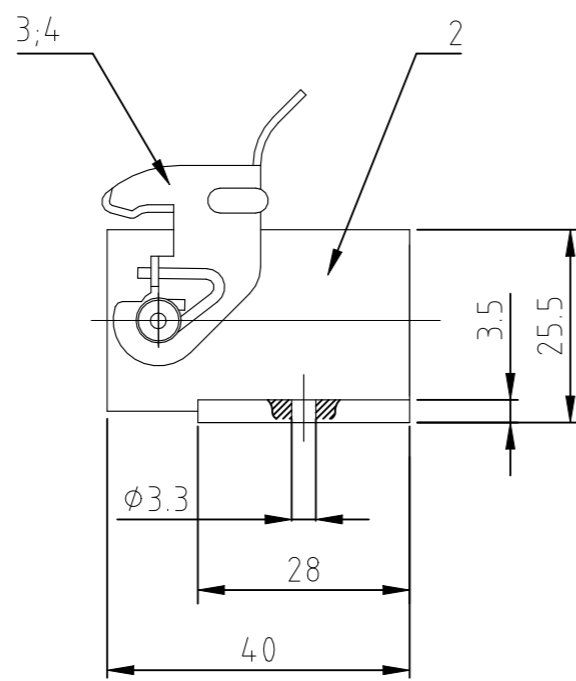
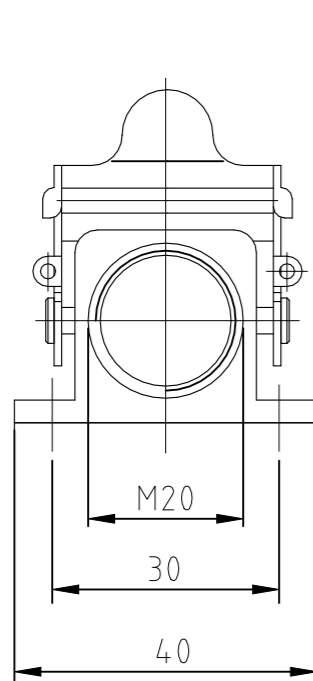


P	LTR	DESCRIPTION BESCHREIBUNG	DATE	DWN	APVD
A10		REVISED PER ECR-24-207461	11JUN2024	RK	WR



Notes

- 1 Material: zink diecast
- 2 Surface: - varnish grey  
- varnish black
- 3 Varnish on the inside not necessarily
- 4 Special packing  
Packaging quantity 100 pieces
- 5 Packaging quantity 10 pieces

QTY	DESCRIPTION / BENENNUNG	MATERIAL	SURFACE / OBERFLÄCHE	COLOR / FARBE	ITEM NO. POS.	NOTES
1	surface mounted housing side entry	zink diecast	blue pasivation	without varnish	5	
1	side clip	stainless steel			4	
1	side clip	steel	zink plated	blue	3	
1	surface mounted housing side entry	zink diecast		black	2	
1	surface mounted housing side entry	zink diecast		grey	1	
0-5						
0-4						
0-3						
0-2						
0-1						
5	HA-EMV-K.3.SG-LB.1.M16.G					
4	HA.3.SG-LB.1.M16.G.KM					
5	HA.3.SG-LB.1.M20.G					
5	HA-K.3.SG-LB.1.M16.G					
5	HA.3.SG-LB.1.M16.G					

THIS DRAWING IS A CONTROLLED DOCUMENT. DIESE ZEICHNUNG IST EIN KONTROLLIERTES DOKUMENT.		DWN <b>Schneider</b> 15.08.01	TE Connectivity <b>SURFACE MOUNTED HOUSING SIDE ENTRY</b> Sockelgehäuse HA.3.1.M16		
DIMENSIONS: MASSENEHTEIN: mm		CHK <b>Schnurpfeil</b> 15.08.01			
TOLERANCES UNLESS OTHERWISE SPECIFIED: ALL GEMEINTOLERANZEN n. ISO 2768-mS n. DIN 16901-140		APVD -	NAME		
0 PLC ± - 1 PLC ± - 2 PLC ± - 3 PLC ± - 4 PLC ± - ANGLES / WINKEL ± -		PRODUCT SPEC PRODUKTSPEZ.	-		
APPLICATION SPEC VERARBEITUNGSSPEZ.		WEIGHT GEWICHT	SIZE A3	CAGE CODE 00779	DRAWING NO ZEICHNUNGS-NR. C-1106404
MATERIAL		CUSTOMER DRAWING/KUNDENZEICHNUNG		SCALE MASSTAB 1:1	SHEET BLATT 1 von 1
ORDERING TEXT / BESTELLTTEXT		RESTRICTED TO NUR FUER		REV A10	