

**SAFETY ORGANIZATIONS**

THIS FILTER HAS BEEN FORMALLY RECOGNIZED, CERTIFIED OR APPROVED BY THE LISTED AGENCY. THEREFORE, ALL TEST/REQUIREMENTS SPECIFIED IN THE LATEST REVISION OF THE FOLLOWING AGENCY STANDARDS HAVE BEEN MET:

- UL RECOGNIZED: UL 1283
- CSA CERTIFIED: CSA 22.2, # 8
- TVL APPROVED: EN 60950

**OPERATING SPECIFICATIONS**

LINE CURRENT/VOLTAGE: 10 AMP, 125VDC

LINE FREQUENCY: DC

MAXIMUM LEAKAGE CURRENT, EACH LINE TO GROUND: N/A

OPERATING AMBIENT TEMP. RANGE: -10°C TO +40°C @ RATED CURRENT,  $I_r$ .

IN AN AMBIENT,  $T_0$ , HIGHER THAN 40°C, THE MAXIMUM OPERATING CURRENT,  $I_0$ , IS AS FOLLOWS:

$$I_0 = I_r \sqrt{\frac{90 - T_0}{35}}$$

**RELIABILITY SPECIFICATIONS:**

- STORAGE TEMPERATURE: -40°C TO +85°C
- HUMIDITY: 21 DAYS @ 40°C 95% RH.
- CURRENT OVERLOAD TEST: 6 TIMES  $I_r$  FOR 8 SECONDS

**TEST SPECIFICATIONS:**

- INDUCTANCE: 0.100mH NOMINAL
- CAPACITANCE: (MEASURED @ 1KHz, 0.250VAC MAX., 25°C±1°C)
  - LINE TO GROUND: 0.0107µF ±20%
  - LINE TO LINE: 0.1027µF ±20%
- DISCHARGE RESISTOR: 3.3MΩ
- L/G AND L/L I.R. NO DISCHARGE RESISTOR: 5000MΩ (MIN.) @ 100VDC, 20°C AND 50% RH

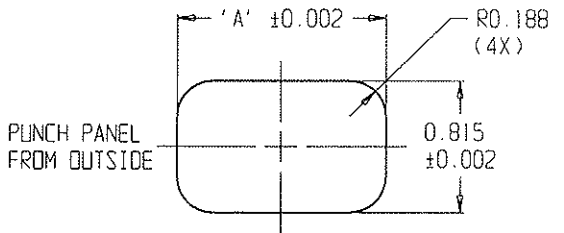
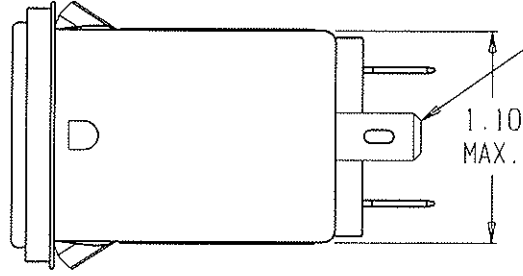
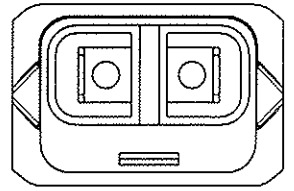
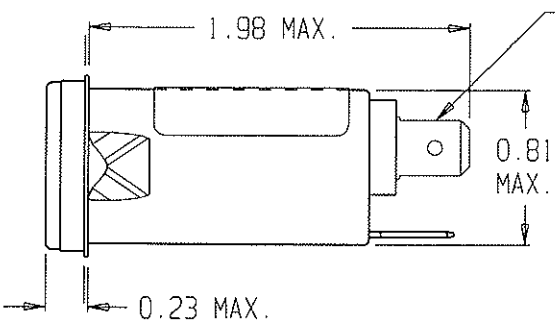
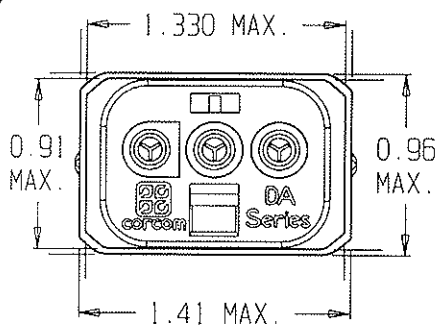
**RECOMMENDED RECEIVING INSPECTION HIPOT:**

- LINE TO GROUND: 1500VAC OR 2250VDC FOR 1 MINUTE
- LINE TO LINE: 1450VDC FOR 1 MINUTE

**FILTER APPROVAL:**

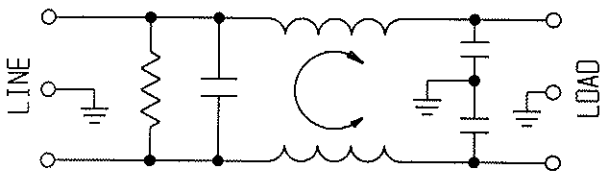
THE BEST WAY TO SELECT AND QUALIFY A FILTER IS FOR YOUR ENGINEERING TO TEST THE UNIT IN YOUR EQUIPMENT

ECD #	APPRVD	DATE
/	KAW	/



PANEL CUTOUT (FRONT MOUNT)

PANEL THICKNESS	PANEL CUTOUT "A"
0.031-0.052	1.260
0.046-0.068	1.350



**50Ω - 50Ω (MINIMUM) INSERTION LOSS**

FREQUENCY MHz	0.05	0.10	0.15	0.5	1.0	3.0	5.0	10	30	100	200
COMMON dB	-	1	4	8	17	25	30	36	38	21	11
DIFF. dB	2	4	6	17	22	23	32	48	38	30	26

THIRD ANGLE PROJECTION

UNLESS OTHERWISE SPECIFIED, TOLERANCE TO BE ±.025 MATERIAL & FINISH: AS SUPPLIED

This document is proprietary to CORCOM INC. and is not to be reproduced nor used for manufacturing purposes except on CORCOM'S prior written consent.

**tyco** Electronics **corcom**  
844 E. ROCKLAND RD. LIBERTYVILLE IL 60048

**CUSTOMER DRAWING 10DAS1**

TYCO: 2-1609075-5			
SCALE: NTS	DATE: 26MARD3	CATALOG NO.	REV
DRW. BY: ELC	DRG: ELC	10DAS1	A