

4

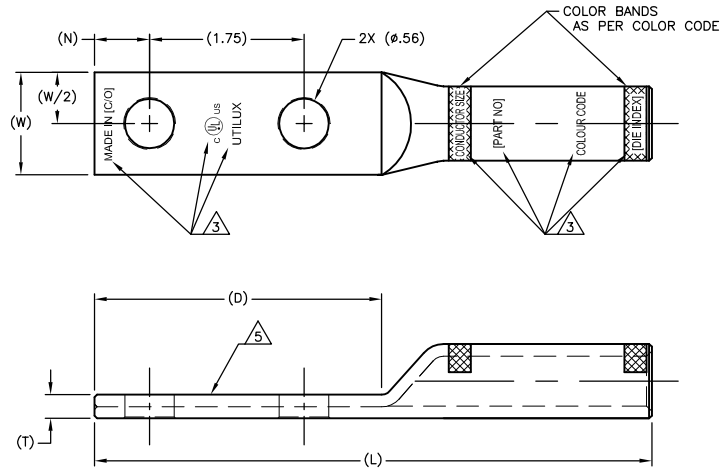
3

2

1

THIS DRAWING IS UNPUBLISHED. RELEASED FOR PUBLICATION  
 © COPYRIGHT By - ALL RIGHTS RESERVED.

LOC		DIST		REVISIONS			
P	LTR	DESCRIPTION	DATE	DM	BJ	APVD	
B		ECO-05-011548	21OCT2005	DM	BJ		
B1		LC20-0044-15 / ECO-15-004978	25MAR2015	DM	BJ		



- 1 MATERIAL:  
ETP COPPER ALLOY C11000  
PER ASTM SPEC B188
- 2. HEAT TREAT:  
SOFT TEMPERED
- 3 MARKING:  
  
UTILUX  
[PART NO]  
c(Ø)us  
[CONDUCTOR SIZE]  
[DIE INDEX]  
[COLOUR CODE]  
MADE IN [C/O]  
  
(SEE TABLE FOR UL MARKING)
- 4 FINISH:  
ELECTRO TIN PLATED
- 5 THIS PORTION TO BE CLOSED AIR TIGHT
- 6. ALL DIMENSIONS ARE FOR REFERENCE ONLY

NO	2-3/16	5.7	1.38	.19	3.00	.62	19 or 470 (2)	BLUE	1/2	400 MCM	1-1099939-6
YES	3-1/16	6.8	2.16	.33	3.00	.62	27 (4)	WHITE	1/2	1000 MCM	1-1099939-5
	2-15/16	6.5	1.89	.27	3.00	.62	24 or 473 (4)	BLACK	1/2	750 MCM	1-1099939-4
	2-3/4	6.2	1.71	.27	3.00	.62	22 or 472 (2)	GREEN	1/2	600 MCM	1-1099939-3
	2-5/16	5.7	1.53	.23	3.00	.62	20 or 299 (2)	BROWN	1/2	500 MCM	1-1099939-2
	2-1/16	5.4	1.27	.18	3.00	.62	18 or 324 (2)	RED	1/2	350 MCM	1-1099939-1
	2-1/16	5.4	1.18	.16	3.00	.62	17 or 298 (2)	WHITE	1/2	300 MCM	1-1099939-0
	1-11/16	5.0	1.09	.16	3.00	.62	16 (2)	YELLOW	1/2	250 MCM	1099939-9
	1-11/16	5.0	1.00	.14	3.00	.62	15 (2)	PURPLE	1/2	4/0 STR.	1099939-8
	1-9/16	4.8	.90	.12	3.00	.62	14 (2)	ORANGE	1/2	3/0 STR.	1099939-7
	1-9/16	4.8	.82	.12	3.00	.62	13 (2)	BLACK	1/2	2/0 STR.	1099939-6
	1-7/16	4.7	.75	.12	3.00	.62	12 or 348 (2)	PINK	1/2	1/0 STR.	1099939-5
	1-7/16	4.7	.80	.09	3.00	.62	11 or 375 (2)	GREEN	1/2	1 STR.	1099939-4
	1-5/16	4.5	.82	.11	3.00	.62	10 (2)	BROWN	1/2	2 STR.	1099939-3
	1-3/16	4.6	.83	.11	3.00	.62	9 (2)	WHITE	1/2	3 STR.	1099939-2
	1-3/16	4.4	.83	.11	3.00	.62	8 or 346 (2)	GRAY	1/2	4 STR.	1099939-1
UL MARKING	WIRE STRIP LENGTH	(L)	(W)	(T)	(D)	(N)	DIE INDEX (NO. OF CRIMPS)	COLOUR CODE	BOLT SIZE	CONDUCTOR	PART NO.

THIS DRAWING IS A CONTROLLED DOCUMENT. DWG: D. ROBITAILLE 06 DEC 02  
 CHK: A. BULZA 29 SEP 03  
 APVD: B. JOHNSON 29 SEP 03

**STE** TE Connectivity

COMPRESSION TERMINAL, COPPER, TWO HOLE NEMA PAD, LONG BARREL, PLATED

APPLICATION SPEC: PRODUCT SPEC

SIZE: A2 CAGE CODE: 00779 DRAWING NO: 1099939 RESTRICTED TO: B1

MATERIAL: SEE NOTE 1 FINISH: SEE NOTE 4 WEIGHT: CUSTOMER DRAWING SCALE: NTS SHEET: 1 of 1 REV: B1