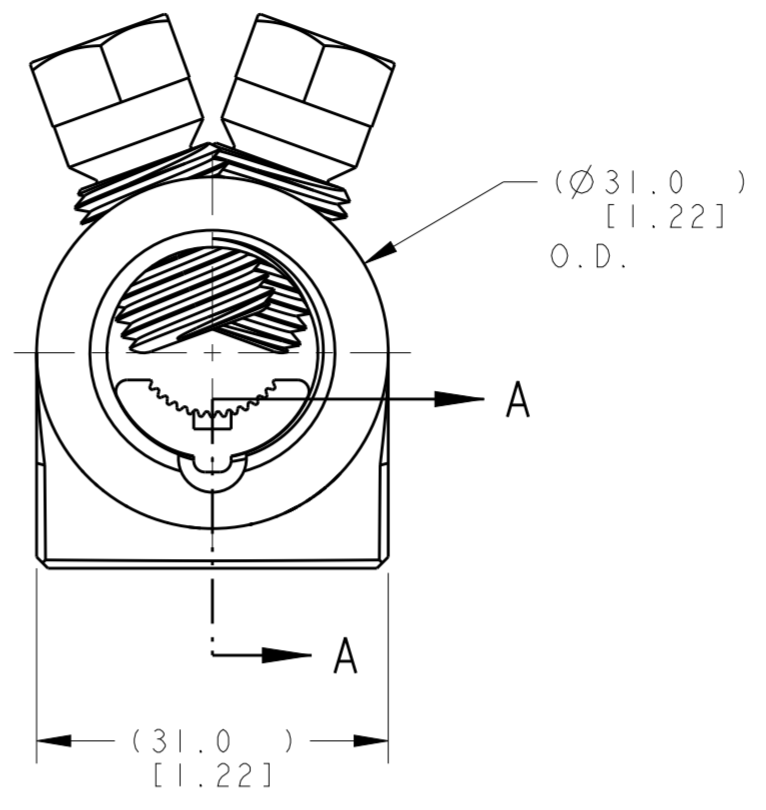
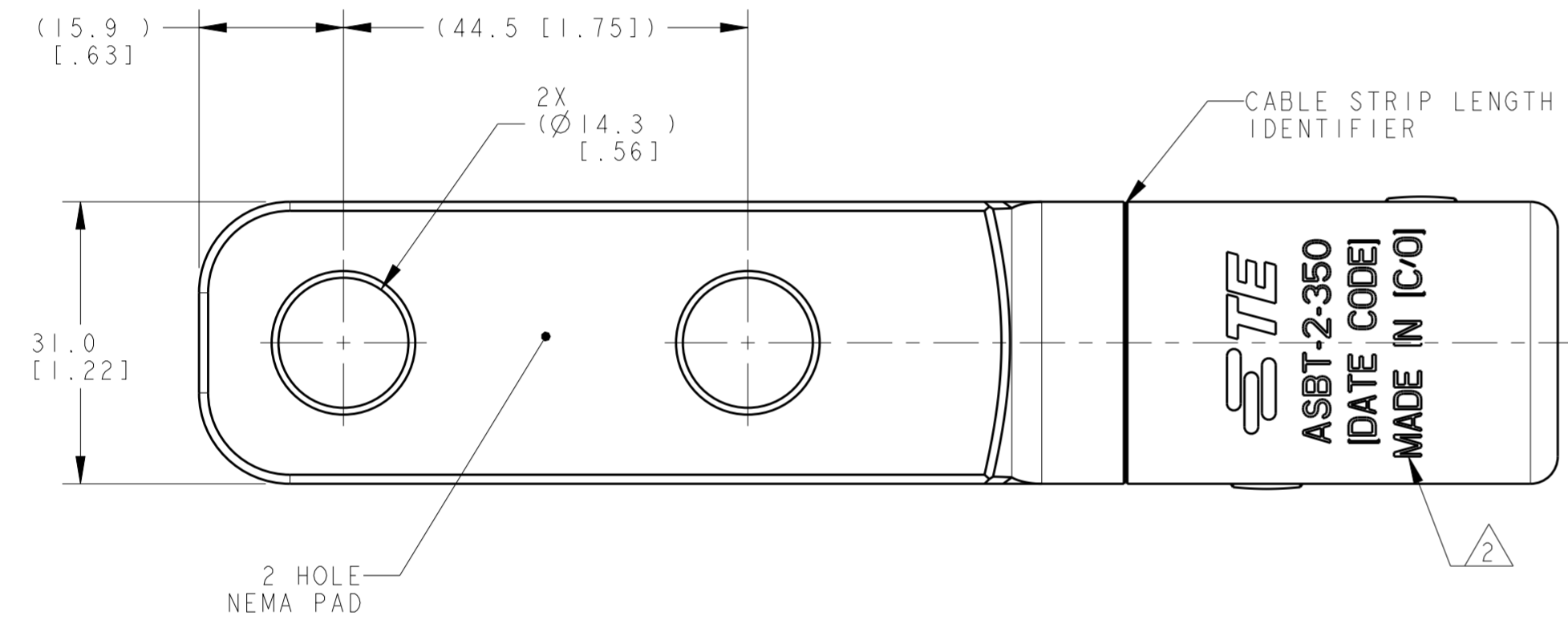
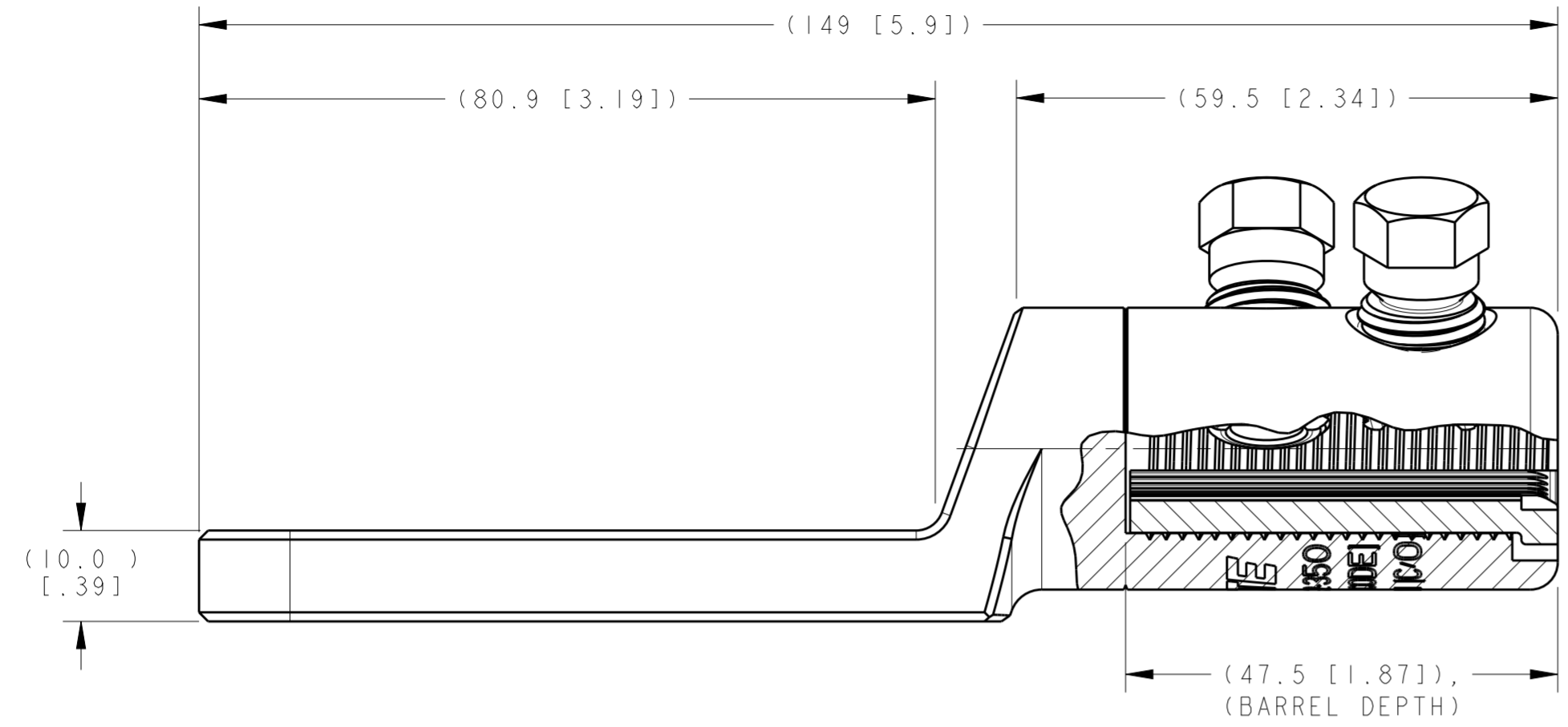


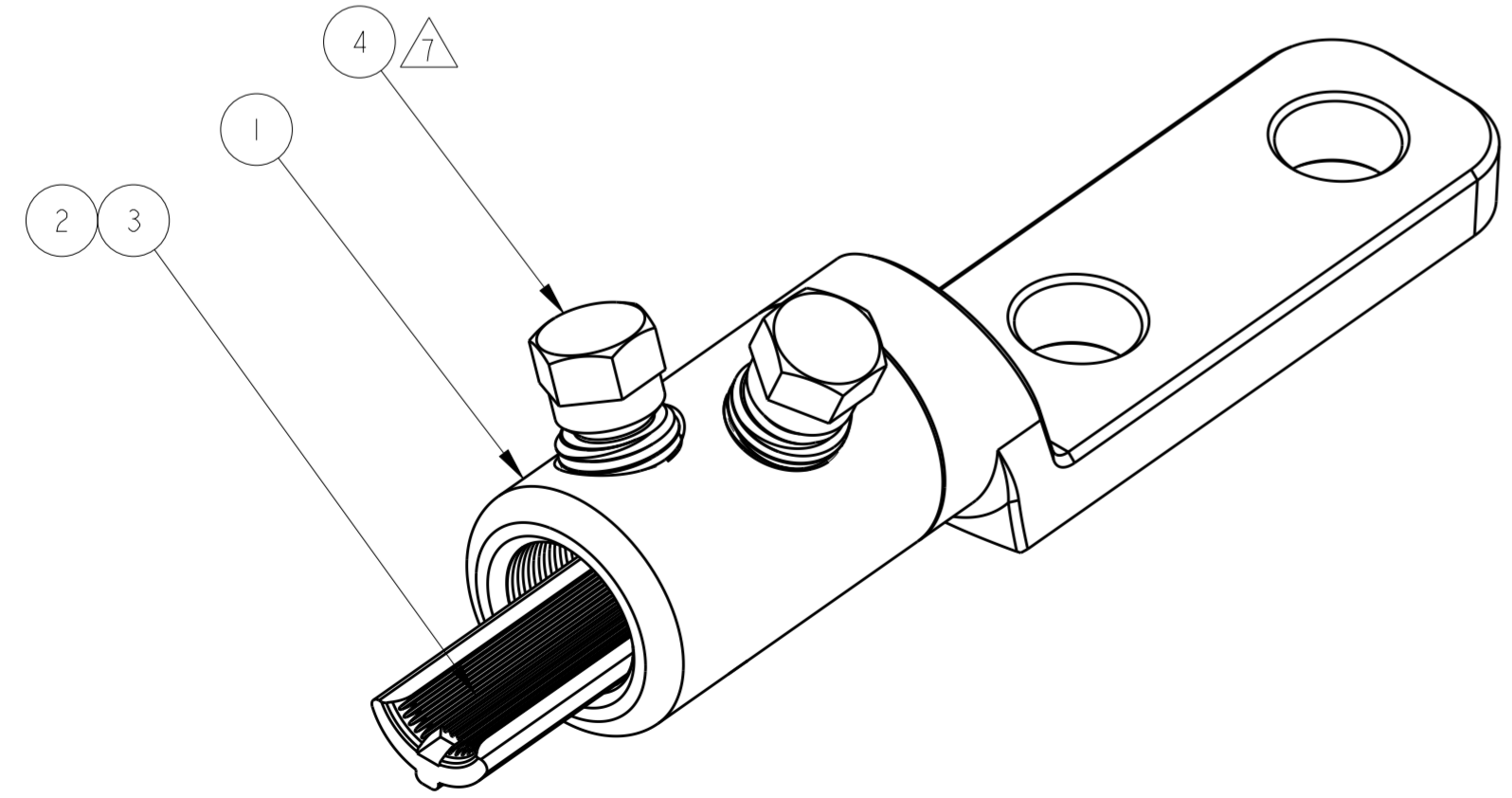
THIS DRAWING IS UNPUBLISHED. RELEASED FOR PUBLICATION 20
 © COPYRIGHT 20 BY - ALL RIGHTS RESERVED.

REVISIONS				
P	LTR	DESCRIPTION	DATE	APVD
C		LC20-0094-09 / ECO-09-018257	04AUG2009	DM BJ
D		LC20-0134-15 / ECO-15-016745	12NOV2015	DM BJ
E		LC20-0095-16 / ECO-16-011928	18AUG2016	JG BJ
F		LC20-0086-20 / ECO-20-	14AUG2020	DM BJ



- ACCOMMODATES:
#2 AWG COMPACT (Ø6.81 [.268])
TO 350 KCMIL STD STR (Ø17.30 [.681])
ALUMINUM OR COPPER CONDUCTORS.
- MARKING:
STE
ASBT-2-350
[DATE CODE]
MADE IN [COUNTRY OF ORIGIN]
- INSERT SHALL BE REMOVED FOR CONDUCTOR SIZES GREATER THAN 4/0 AWG STD STR (Ø13.4 [.528 DIA]).
- ALL DIMENSIONS ARE FOR REFERENCE ONLY.
- CONNECTOR CONTAINS FACTORY APPLIED ANTI-OXIDE INHIBITOR.
- FINISH:
ELECTRO-TIN PLATED.
- INSTALL BOLTS WITH 13 mm [1/2 inch] HEX SOCKET.

ASBT-2-350	1099368-1
CATALOG NO	PART NO



QTY	DESCRIPTION	ITEM NO
1	INSTALLATION INSTRUCTION SHEET, 408-10264	6
1	ABRASIVE TAPE	5
2	MULTI-SHEAR BOLT, M14 SIZE, ALUMINUM	4
A/R	INHIBITOR	3
1	INSERT, ALUMINUM, TIN PLATED, 2 AWG - 350 KCMIL	2
1	CONNECTOR BODY, ALUMINUM, TIN PLATED, 2 AWG - 350 KCMIL	1

THIS DRAWING IS A CONTROLLED DOCUMENT.

DIMENSIONS: mm [INCH]	TOLERANCES UNLESS OTHERWISE SPECIFIED: 0 PLC ± 1 PLC ± 2 PLC ± 3 PLC ± 4 PLC ± ANGLES ± FINISH	DWN: D. MURUGLAH 05 JUN 2008 CHK: A. BULZA 05 JUN 2008 APVD: B. JOHNSON 05 JUN 2008	TE Connectivity	
MATERIAL SEE BOM	SEE BOM	PRODUCT SPEC -	NAME SHEARBOLT TERMINAL, ALUM, TINNED, 2 HOLE NEMA PAD, 2 AWG CPT TO 350 KCMIL STD	
CUSTOMER DRAWING		APPLICATION SPEC -	SIZE A2	CAGE CODE 00779
		WEIGHT -	DRAWING NO C-1099368	RESTRICTED TO
		SCALE NTS	SHEET OF	REV F