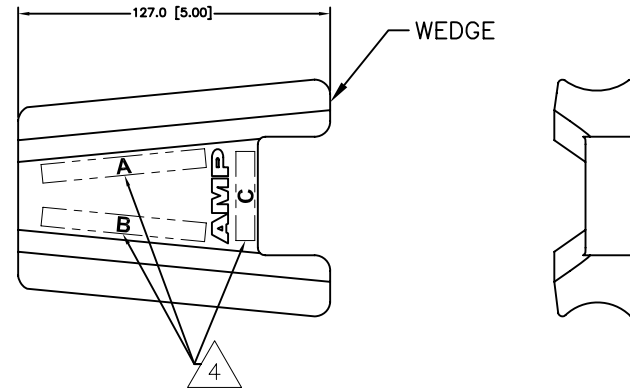
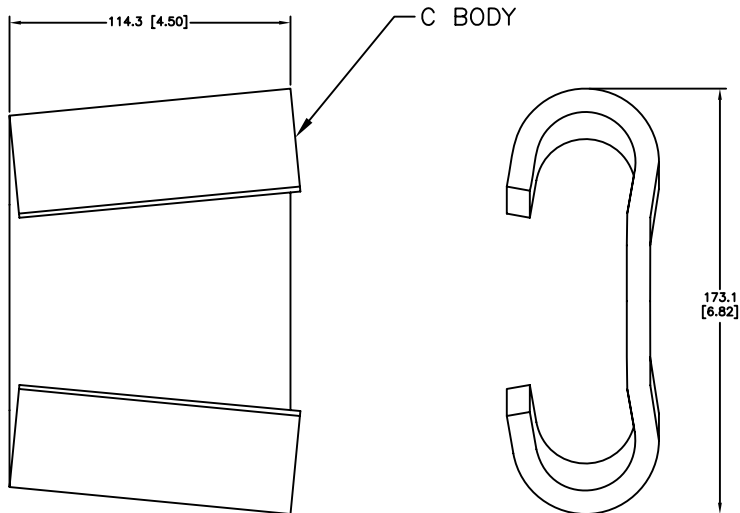
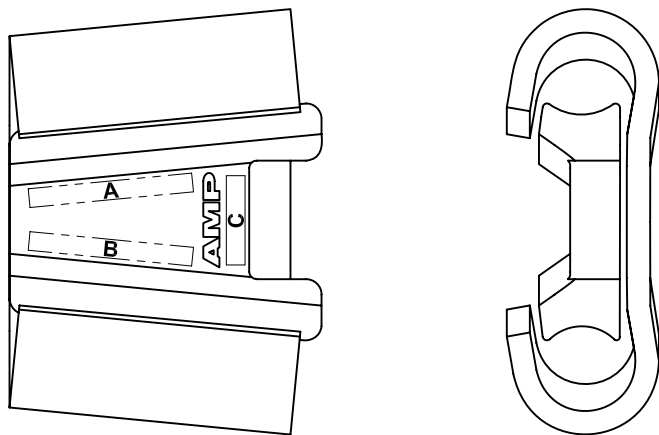


THIS DRAWING IS UNPUBLISHED. RELEASED FOR PUBLICATION
 © COPYRIGHT - BY TYCO ELECTRONICS CORPORATION. ALL RIGHTS RESERVED.

LOC	DIST	REVISIONS					
GA	1	P	LTR	DESCRIPTION	DATE	DWN	APVD
		B		LC20-0159-09 / ECO-09-027841	04DEC2009	DM	BJ



1. DIMENSIONS ARE FOR REFERENCE ONLY
2. INHIBITOR IS APPLIED AT FACTORY TO GROOVES OF WEDGE AND C BODY
3. USE YELLOW CARTRIDGE PART #69338-4
- △ 4 FOR "A", "B" & "C" MARKINGS REFER TABLE.
- △ 5 109424-3 IS FOR HIGH TEMP APPLICATION. "C" MEMBER MARKED WITH "HOT SURFACE" SYMBOL.



△ 5	109424-3	1351.5 ACSS (54/19)	1351.5 ACSS (54/19)			109424-3
	109424-2	1590 AAC	1590 AAC	ALUM. ALLOY	ALUM. ALLOY	109424-2
	109424-1	1351 ACSR (54/19)	1351 ACSR (54/19)			109424-1
	C	B	A	WEDGE QTY: 1	'C' BODY QTY: 1	PART NO.

THIS DRAWING IS A CONTROLLED DOCUMENT.		DWN D. RENNOX 18JUN98	Tyco Electronics Tyco Electronics Corporation Markham, ON L3R-1E1																
DIMENSIONS: INCHES		CHK J. HANNA 18JUN98	NAME CONNECTOR ASSEMBLY, AMPACT, 1590 SERIES, YELLOW CODED																
TOLERANCES UNLESS OTHERWISE SPECIFIED:		APVD B. JOHNSON 18JUN98	PRODUCT SPEC —																
<table border="1"> <tr><td>0 PLC</td><td>±</td></tr> <tr><td>1 PLC</td><td>±</td></tr> <tr><td>2 PLC</td><td>±</td></tr> <tr><td>3 PLC</td><td>±</td></tr> <tr><td>4 PLC</td><td>±</td></tr> <tr><td>ANGLES</td><td>±</td></tr> </table>		0 PLC	±	1 PLC	±	2 PLC	±	3 PLC	±	4 PLC	±	ANGLES	±	APPLICATION SPEC —		SIZE A3	CAGE CODE 00779	DRAWING NO 109424	RESTRICTED TO —
0 PLC	±																		
1 PLC	±																		
2 PLC	±																		
3 PLC	±																		
4 PLC	±																		
ANGLES	±																		
MATERIAL REFER TABLE		FINISH —		WEIGHT —		CUSTOMER DRAWING													
				SCALE NTS	SHEET 1 OF 1	REV B													