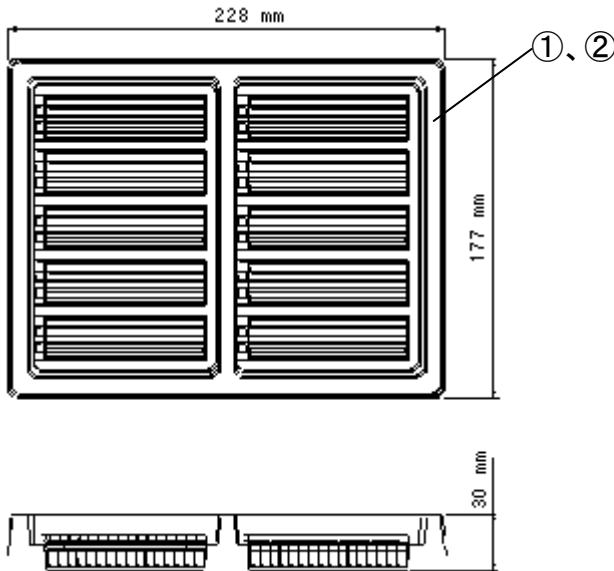


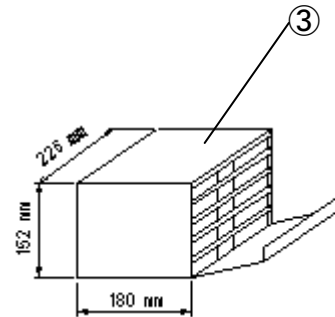
PCN 梱包形態 (PCN PACKING CONDITION)

1.Inner Package



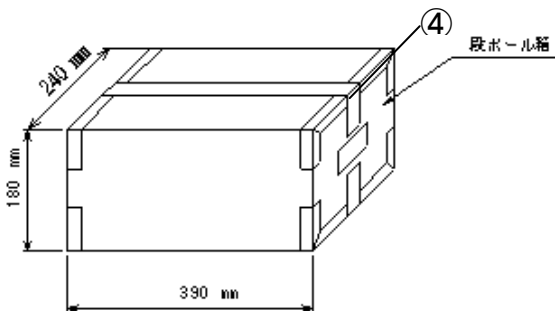
160pcs or T16 unitx10pcs / 1Tray
(Material : PVC)

2.Inside Carton



160pcs / 1Tray x5Tray
Total : 800pcs

3.External Package



Inside Carton x2pcs
Total : 1,600pcs / Shipping Box
Gross : 5.0 kg

Dimensions unit : mm

ITEM No	DESCRIPTION	AMP PART No.	QTY.
①	PVC BOX	1461914-1	10
②	PVC TOP	1461915-1	10
③	INSIDE CARTON	3-1440806-2	2
④	OUTSIDE CARTON	3-1440806-4	1