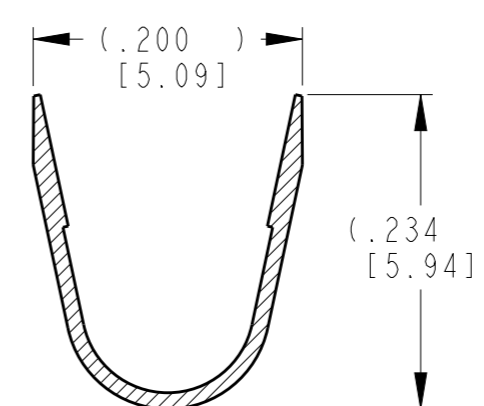
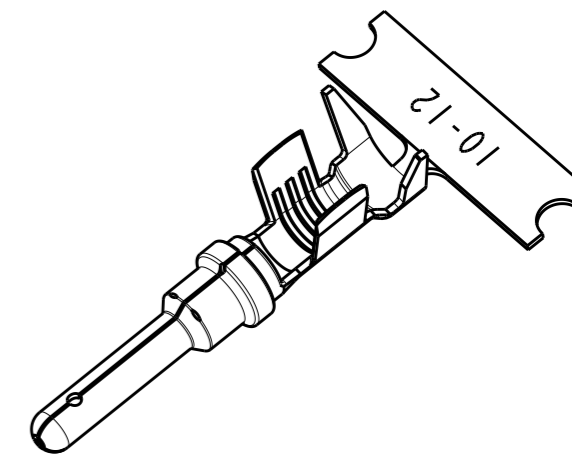
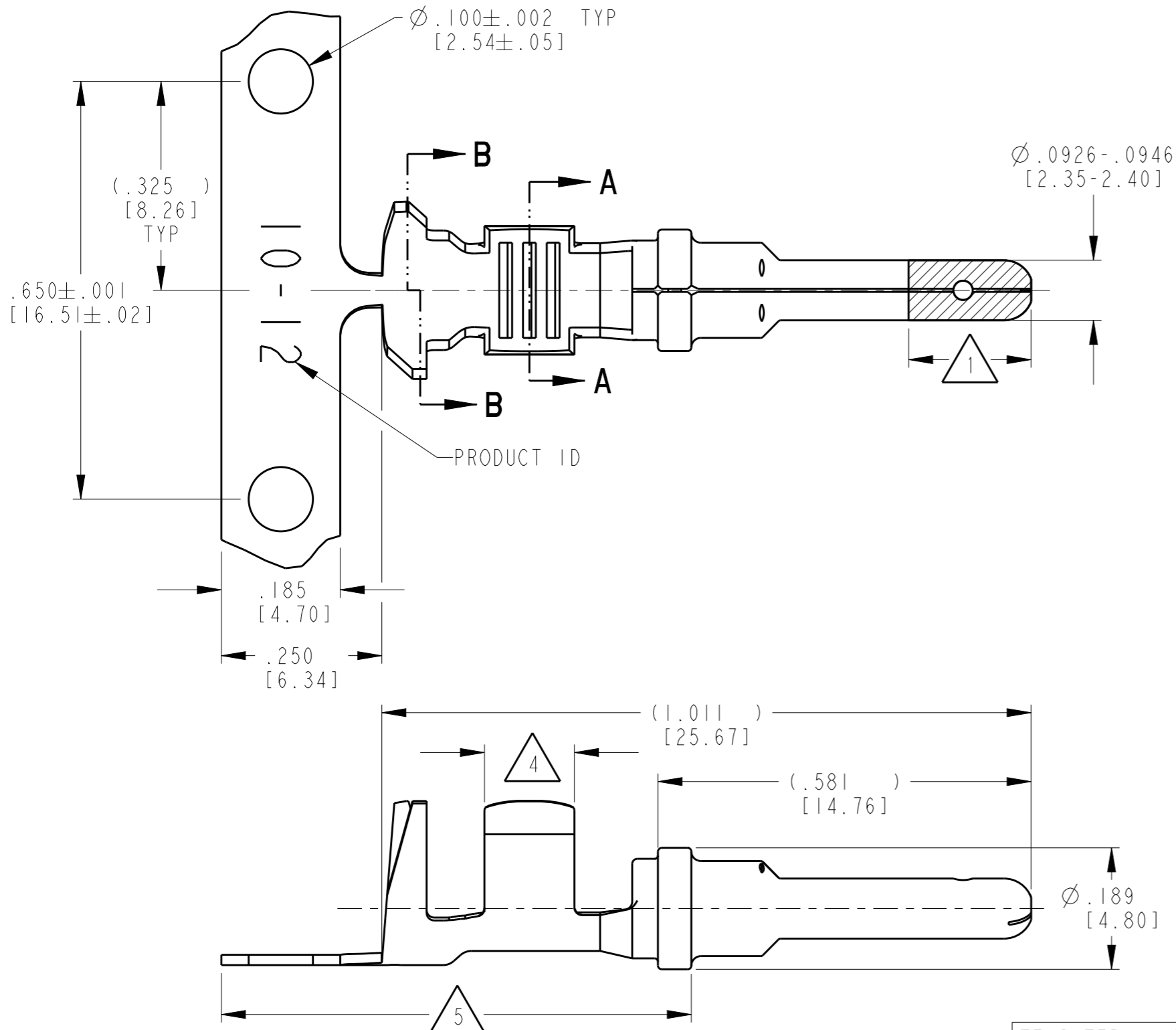
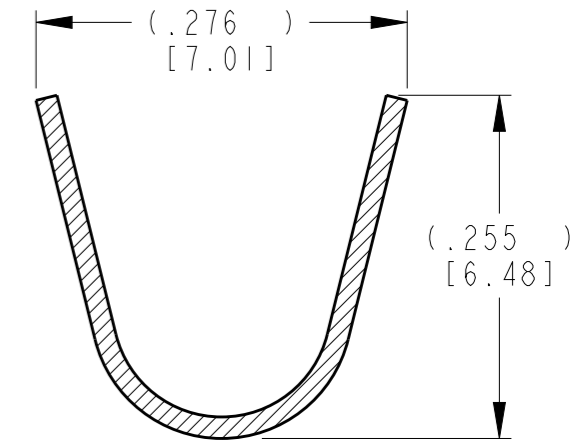


P	LTR	DESCRIPTION	DATE	DWN	APVD
	D	REVISED PER EO PI9555	7-11-07		RDR
	E	REVISED PER PCN E-20-009639	10JUL2020	DM	IG



SECTION A-A
CONDUCTOR WINGS



SECTION B-B
INSULATION WINGS

- 5 TIN PLATING MAY BE IN THIS REGION.
- 4 TIN PLATED REGION.
- 3 MATERIAL: .016 [0.41] THICK COPPER ALLOY.
- 2. WIRE RANGE: 10 AWG [4.0-6.0mm²]
INSULATION RANGE: \varnothing .140-.204 [3.56-5.18]
- 1 GOLD PLATED REGION.

NOTES: UNLESS OTHERWISE SPECIFIED

TE INTERNAL PN	DEUTSCH PN	PLATING
1060-12-0222	1060-12-0222	Ni/Cu overall
1060-12-0244	1060-12-0244	Selective Au, Ni/Cu overall, Sn/Ni/Cu Wire Barrel

THIS DRAWING IS A CONTROLLED DOCUMENT.		DWN D. MEYER 08MAR2001	TE Connectivity	
DIMENSIONS: INCH (mm)		CHK B. BYFORD 07NOV2007		
TOLERANCES UNLESS OTHERWISE SPECIFIED:		APVD R. REED 07NOV2007	NAME STAMPED CONTACT PIN SIZE 12	
0 PLC ± 1 PLC ± 2 PLC ± 3 PLC ±.025 [0.64] 4 PLC ± ANGLES ±		PRODUCT SPEC 108-151000	SIZE A3	
MATERIAL 3		APPLICATION SPEC 114-151006	CAGE CODE 4AFU8	DRAWING NO 1060-12-02XXX
FINISH SEE TABLE		WEIGHT .83 g	RESTRICTED TO -	SCALE 5:1
		CUSTOMER DRAWING	SHEET 1 OF 1	REV E